

はじめに

1. 本パーツカタログは、ヤンマークローラバックホーSV08の追補版パーツカタログです。
2. パーツカタログ来歴

	パーツカタログNo.	完成年月	記載形式数	備考
初 版	000Y00K3740	2001年 1月	2	廃却願います
追 補 版	000Y00K3741	2002年 4月	20	

3. 記載形式

SECTION	記載欄	記載形式	M/#	生産年月
I (本機)	(A) 欄	SV08 (JP)	00501~	2000年 10月~
	(B) 欄	SV08 (EX)		
II (エンジン)	(A) 欄	2TNE68-EBVA	20007~	2000年 9月~

(注) JP:国内仕様、 EX:海外仕様

4. 本パーツカタログは、整備要領などを示した技術資料ではありません。イラストは一部簡略化したものを使用しております。又、ヤンマー製品の整備には必ず、『ヤンマー純正部品』をご使用下さい。市販の類似品を使用し修理されると早期破損などの原因となりますのでご注意ください。

P R E F A C E

1. This Parts Catalog carries Yanmar crawler back-hoe SV08.
2. Parts catalog history

	Parts catalog NO.	Published	Remarks
1st edition	000Y00K3740	2001/1	Disuse old edition
1st revised	000Y00K3741	2002/4	

3. Model name

SECTION	Column	Model name	M/#	Manufactured
I (Vehicle)	(A)	SV08 (JP)	00501~	2000/10~
	(B)	SV08 (EX)		
II (Engine)	(A)	2TNE68-EBVA	20007~	2000/9~

(Note) JP:Japan, EX:Export.

4. Your understanding is asking that this parts catalog is not a technical data manual setting forth as servicing procedures, This parts catalog is using simplified illustration. Be sure to use Yanmar Genuine Parts in your maintenance servicing of Yanmar products. Be careful not to use the simple parts available in the market, otherwise their use in repairing causes such as an early breakage, for instance.

How to read this Parts Catalog.

1. Parts mentioned in Parts Catalog may not necessarily be standard equipping parts
2. Parts change may be made without prior notice.
3. Form of this Parts Catalog.

REF.	LEV.	PARTS	DESCRIPTION	QTY						I	R
				(A)	(B)	(C)	(D)	(E)	(F)		
1		729595-51390	FUEL INJECTION PUMP	1	1	1	1	1	1		
1 - 1	1	729595-51391	FUEL INJECTION PUMP	1	1	1	1	1	1	N	1
		(A=E00185) (B=E00200)									
3	2	26022-060162	SCREW M 6X16	9	9	9	9	9	9		
1 3 - 1	2	26022-060162	SCREW M 6X16	4	4	4	4	4	4		K
		(A=E00156) (B=E00156) (C=E00156) (D=E00156) (E=E00156)									
4	2	129470-51040	CAMSHFT	9	9	9	9	9	9		
5	2	122710-51050	BEARING.ROLLER	9	9	9	9	9	9		
6	2	129470-51060	RETAINER	9	9	9	9	9	9		

Remarks
(1) BOOST COMPEMSATOR TYPE. OPTIONAL PART. TO E/#00155 (4JH - DT, 4JH - DTZ)

Ref. No.

The Ref. No. in the list may not be in accordance with the Ref. No. on illustration.

(Ex.) illustration No, List heed No,

1 1 (Before change) → 1-1 (After change)

When interchangeable symbol N, and k, illustrations for the new parts are sometimes omitted.

Lev. (Level)

Indication and Meaning of Level

Level Hereunder is given the relation among the number of number (1,2,3) the level and the nominal parent-child relationship.

1 ----- Parent parts (Assembly parts)

2 ----- Child parts included in " 1 " (Semi-Assembly parts, component parts of Assembly parts.)

3 ----- Child parts included in " 2 ", Grand-child parts in terms of " 1 ".

(Component parts of Semi-Assembly parts.)

Note) A parts of non-sale parts are illustrated but not listed.

Change Mark

Change Mark " I " is given to the part for which a design change was made at this time.

The design change was not shown in the last published Parts Catalog.

Interchangeability Mark

In the case where a part change took place, one of the following interchangeability marks is indicated for that part

Symbol	Interchangeability	Contents note
N	Old ← ○ → New	New Part is interchangeable for Old Part but not interchangeable conversely.
Q	Old ← ○ → New	New Part is not interchangeable for Old Part but interchangeable conversely.
R	Old ← ○ → New	New Part is interchangeable for Old Part and vice versa.
S	Old ← × → New	New Part is not interchangeable for Old Part and vice versa.
W		Part newly added.
Z		Part discontinued.
F		Not interchangeable single part but interchangeable by set of the related parts.
K		Changed only in quantity used.

⑤ Effective Machine No.

When a part is changed, Effective Machine No. of a Model for which the part is applicable is indication

In each column of (A)-(F).

Product Symbol	Product No.	Product Symbol	Product No.
C	Clutch No, Compressor No,	M	Machine No,
D	Drive No,	T	Tractor No,
E	Engine No,	Note 1)※	Date

Note 1) Date may follow the symbol in some cases.(Ex.) ※1996.01

Note 2) As far as engine models shown by " XXX " are concerned, the modification of the parts could not be Predicted or the engine models themselves could not be identified.

Note 3) (A=E/#00185) means that the design change on the part has been effective for the model at the, column (A) (in the case, for 4JH-DT) on and from E/#(Engine Serial Number) 00185

Remarks Mark

Figures or alphabets (Symbols) are entered in the remark column.

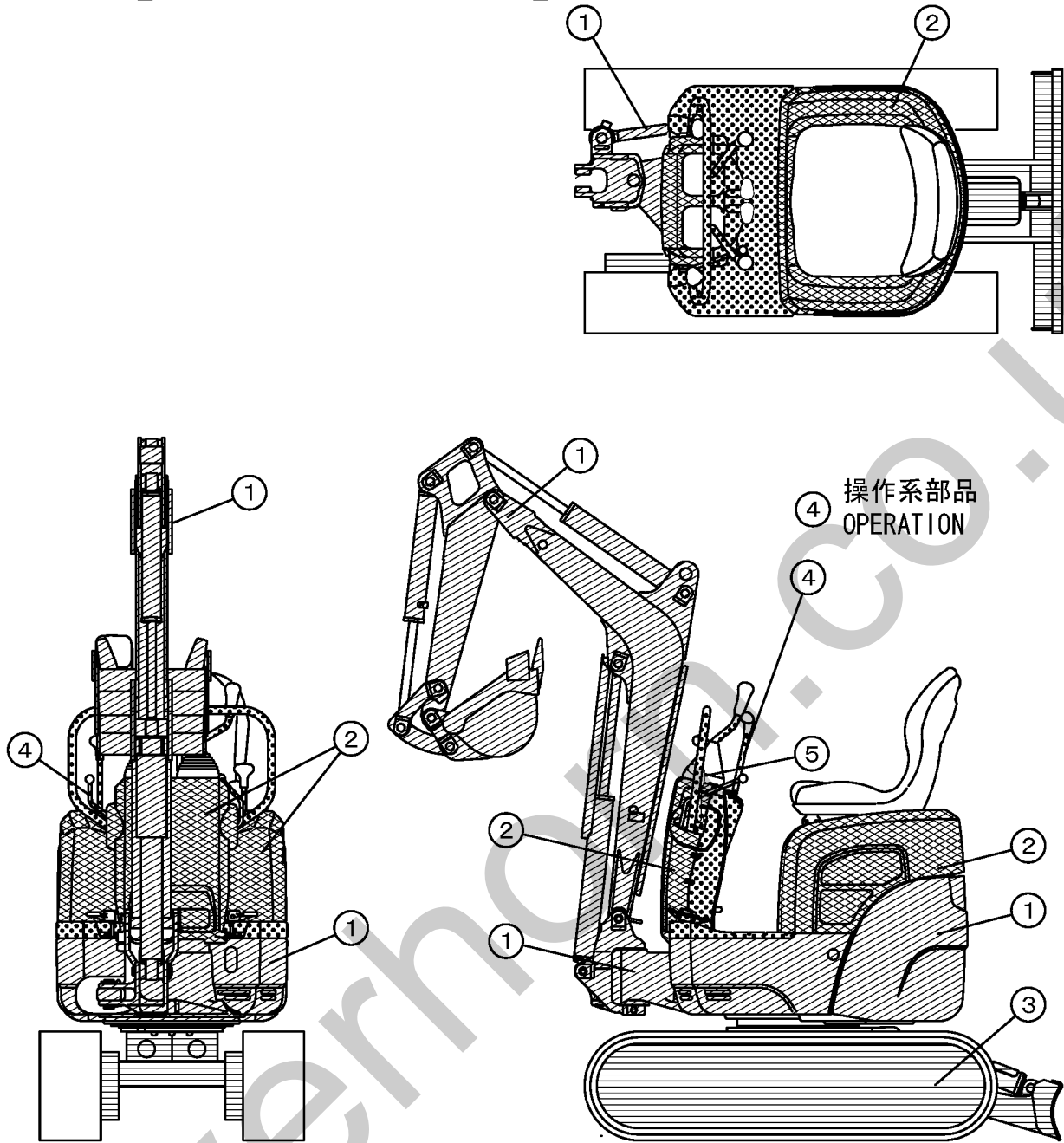
The comments (remarks) on the pertinent parts are indicated in the lower part of the list by the same symbols a those stated above.






SPECIFICATIONS

Model		S V O 8	
Item		Rubber crawler	
		Fixed leg spec.	Variable leg spec.
Machine mass	kg	890	
Body mass	kg	710	705
Std. bucket capacity	m ³	0.022	
Std. bucket width	mm	350	
Max. digging depth	mm	1500 (1620: blade)	1400~1500 (1520~1620: blade)
Max. vertical digging depth	mm	1260	1160~1260
Max. cutting height	mm	2750	2750~2850
Max. dump height	mm	1950	1950~2050
Max. reach at ground level	mm	2760	2730~2760
Min. swing radius	mm	1180 (950)	
Boom swing angle	degree	left 45 / right 90	
Max. digging force (bucket)	kN (kgf)	10.8 (1100)	
Travel speed	km/h	low 1.8 / high 3.7	
Turning speed	min ⁻¹ (rpm)	8.4	
Average ground pressure	kPa (kgf/cm ²)	26.5 (0.27)	
Hyd. pump flux	ℓ/min	9.8 × 2 (gear pump)	
Set pressure (main relief)	MPa (kgf/cm ²)	18.6 (190) × 2	
Model		Vertical 4-cylinder water-cooled diesel	
Name		2 T N E 6 8 - E B V A	
Generating power/revolutions	kW/min ⁻¹ (PS/rpm)	6.8/2400 (9.3/2400)	
Displacement	ℓ	0.522	
Compress pressure	MPa (kgf/cm ²)	3.2 (33) at 250 min ⁻¹ (rpm)	
Nozzle jet pressure	MPa (kgf/cm ²)	11.8 (120)	
Fan belt (V-belt) size		HM33 (COG)	
Generator capacity		12V/9A	

· Battery model capacity.....44B19L/12V, 30Ah(5 hours rate capacity)

1 [本機塗装色
VEHICLE PAINTED COLOR]



部所 Part	表示 Desc- ription	塗装色 マンセル記号	Painted Color Munsel No.	色区分 Color Code
①		ヤンマー新パーマネントイエロ- 5. 2Y8. 5/11	YANMAR New Parmanent Yellow 5. 2Y8. 5/11	87
②		ヤンマーピーコックグリーン 3. 85BG5. 31/9. 15	YANMAR Peacock Green 3. 85BG5. 31/9. 15	97
③		ヤンマー新ディープグリーン 0. 6B2. 2/4. 2	YANMAR New Deep Green 0. 6B2. 2/4. 2	88
④		ヤンマーダークオリーブグレー 5. 39Y2. 92/0. 78	YANMAR Dark Olive Gray 5. 39Y2. 92/0. 78	72
⑤		ヤンマーレッド 7. 5R4/14	YANMAR Red 7. 5R4/14	11

2 [塗料部品番号] PAINT PART NO.

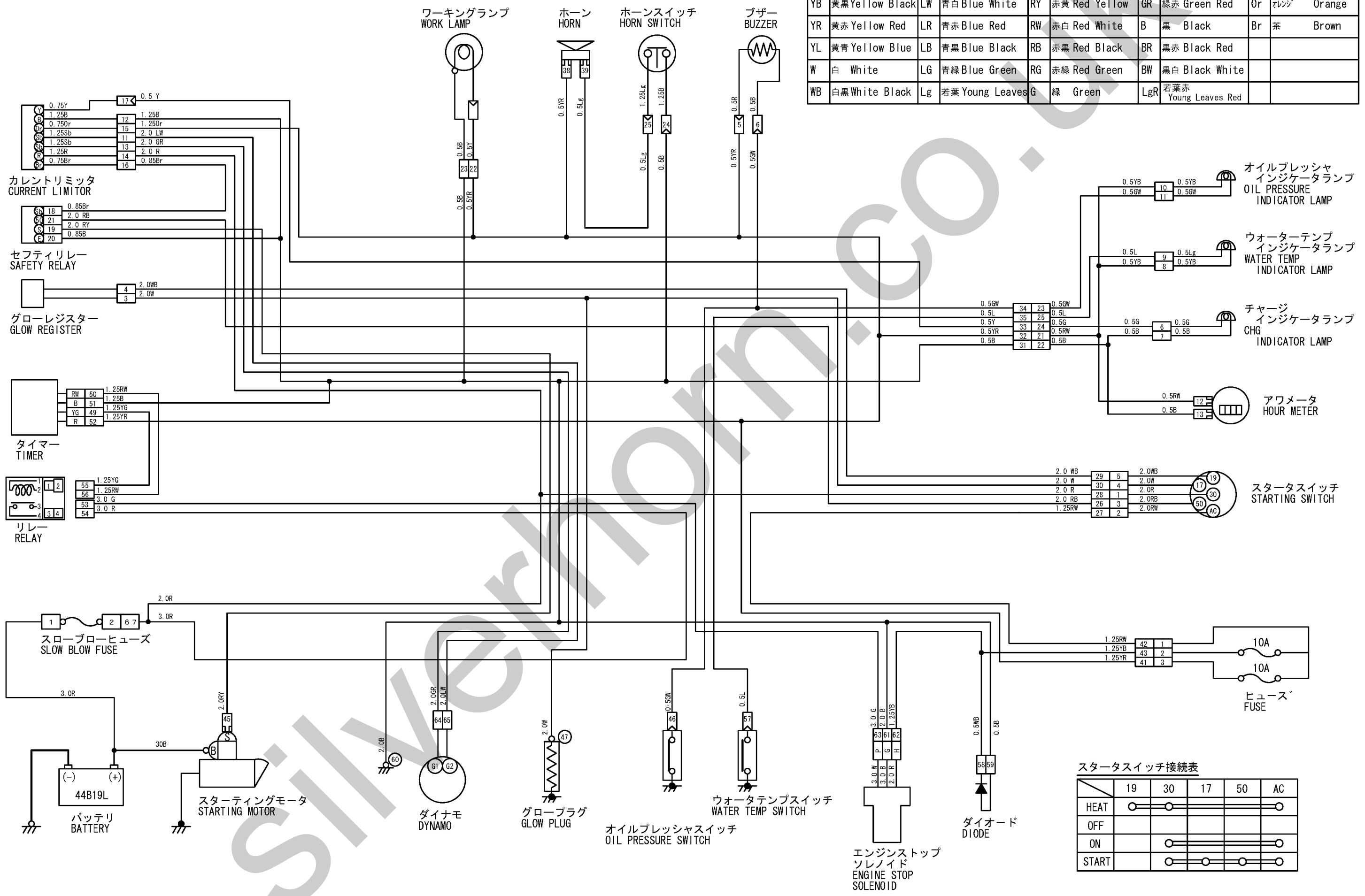
部所 Part	塗装色 Paint Color	塗料部品番号 (Paint Part No.)		
		16L缶 (16L Can)	4L缶 (4L Can)	スプレー (SPRAY)
①	ヤンマー新パーマネントイエロー YANMAR New Permanent Yellow	981101-09519	977620-40870	977620-30871
②	ヤンマーピーコックグリーン YANMAR Pearcock Green	981101-09597	977620-40970	977620-30971
③	ヤンマー新ディープグリーン YANMAR New Deep Green	981101-09588	977620-40880	977620-30881
④	ヤンマーダークオリーブグレー YANMAR Dark Olive Gray	-----	977620-40720	TOR-90460003
⑤	ヤンマーレッド YANMAR Red	-----	977620-40010	TOR-90000003

3 [主要部品の塗装色] COLOR OF MAIN PARTS

部所 Part	塗装色 Paint Color	主な部品 Main Parts	Main Parts
①	ヤンマー新パーマネントイエロー YANMAR New Permanent Yellow	作業機部 旋回フレーム	operation machine part turning frame
②	ヤンマーピーコックグリーン YANMAR Pearcock Green	ボンネット フロントカバー	bonnet front cover
③	ヤンマー新ディープグリーン YANMAR New Deep Green	ロアフレーム, キャノピー ブレード	lower frame, canopy blade
④	ヤンマーダークオリーブグレー YANMAR Dark Olive Gray	エンジン廻り 操作部 フレーム内装部品	engine related operation part frame interior parts
⑤	ヤンマーレッド YANMAR Red	ロックレバー	lock lever

配線図 WIRING DIAGRAM

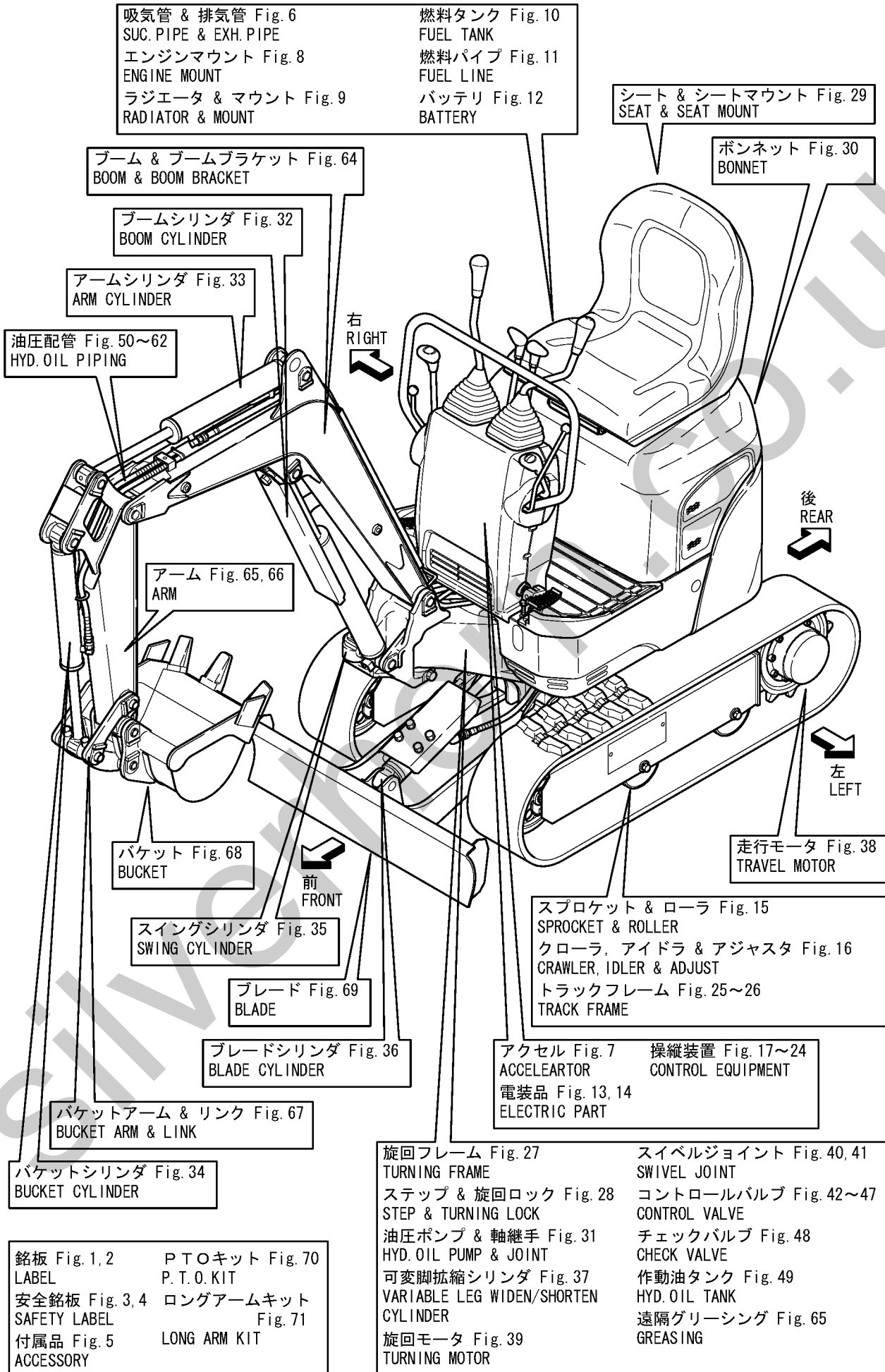
Y	黄 Yellow	L	青 Blue	R	赤 Red	GW	緑白 Green White	Gr	グレー Gray
YB	黄黒 Yellow Black	LW	青白 Blue White	RY	赤黄 Red Yellow	GR	緑赤 Green Red	Or	オレンジ Orange
YR	黄赤 Yellow Red	LR	青赤 Blue Red	RW	赤白 Red White	B	黒 Black	Br	茶 Brown
YL	黄青 Yellow Blue	LB	青黒 Blue Black	RB	赤黒 Red Black	BR	黒赤 Black Red		
W	白 White	LG	青緑 Blue Green	RG	赤緑 Red Green	BW	黒白 Black White		
WB	白黒 White Black	Lg	若葉 Young Leaves	G	緑 Green	LgR	若葉赤 Young Leaves Red		



スタータスイッチ接続表

	19	30	17	50	AC
HEAT	○	○			○
OFF					
ON		○	○	○	○
START		○	○	○	○

絵目次 (1) 主要部分
 PICTURESQUE INDEX (1) MAIN PARTS



吸気管 & 排気管 Fig. 6
 SUC. PIPE & EXH. PIPE
 エンジンマウント Fig. 8
 ENGINE MOUNT
 ラジエータ & マウント Fig. 9
 RADIATOR & MOUNT

燃料タンク Fig. 10
 FUEL TANK
 燃料パイプ Fig. 11
 FUEL LINE
 バッテリ Fig. 12
 BATTERY

シート & シートマウント Fig. 29
 SEAT & SEAT MOUNT

ブーム & ブームブラケット Fig. 64
 BOOM & BOOM BRACKET

ボンネット Fig. 30
 BONNET

ブームシリンダ Fig. 32
 BOOM CYLINDER

アームシリンダ Fig. 33
 ARM CYLINDER

油圧配管 Fig. 50~62
 HYD. OIL PIPING

右
 RIGHT

アーム Fig. 65, 66
 ARM

後
 REAR

バケット Fig. 68
 BUCKET

左
 LEFT

走行モータ Fig. 38
 TRAVEL MOTOR

スイングシリンダ Fig. 35
 SWING CYLINDER

前
 FRONT

スプロケット & ローラ Fig. 15
 SPROCKET & ROLLER
 クローラ、アイドル & アジャスタ Fig. 16
 CRAWLER, IDLER & ADJUST
 トラックフレーム Fig. 25~26
 TRACK FRAME

ブレード Fig. 69
 BLADE

アクセル Fig. 7
 ACCELEARTOR
 電装品 Fig. 13, 14
 ELECTRIC PART
 操縦装置 Fig. 17~24
 CONTROL EQUIPMENT

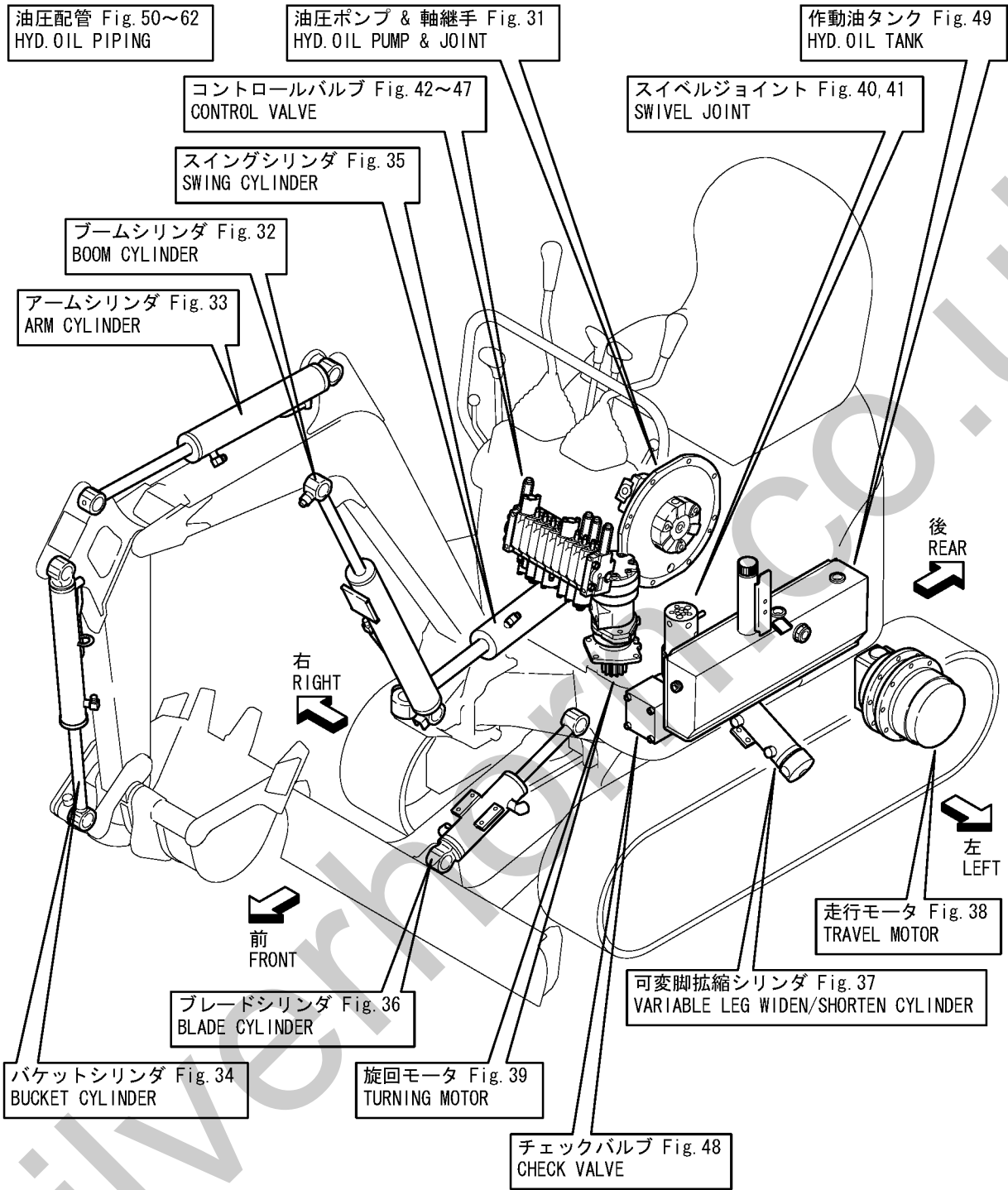
ブレードシリンダ Fig. 36
 BLADE CYLINDER

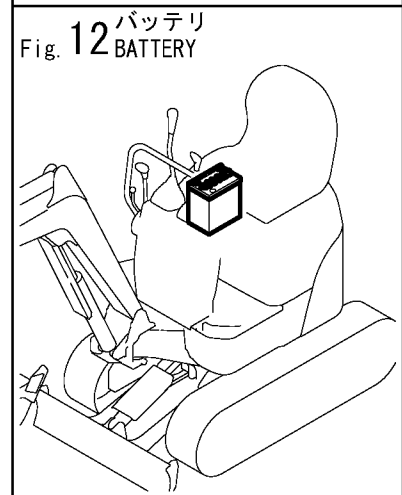
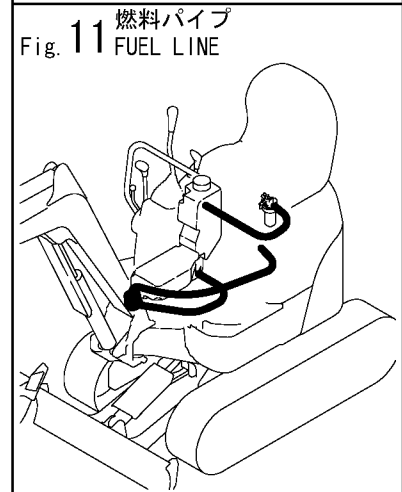
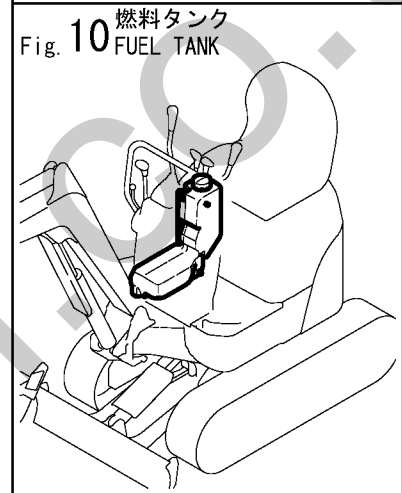
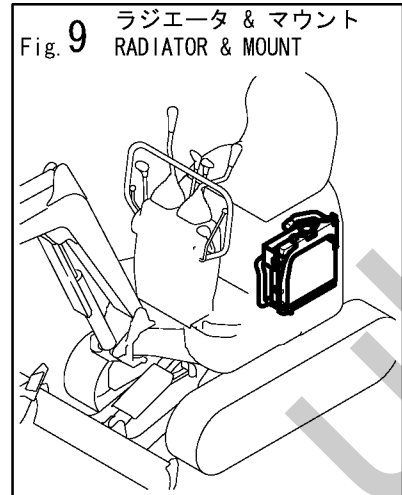
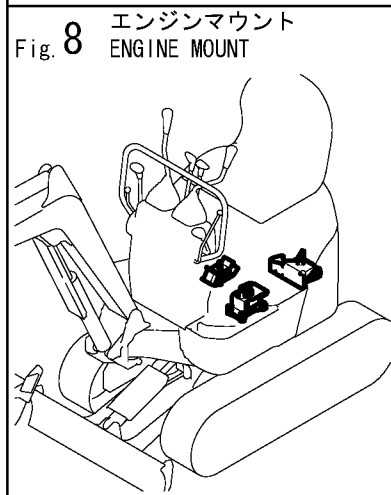
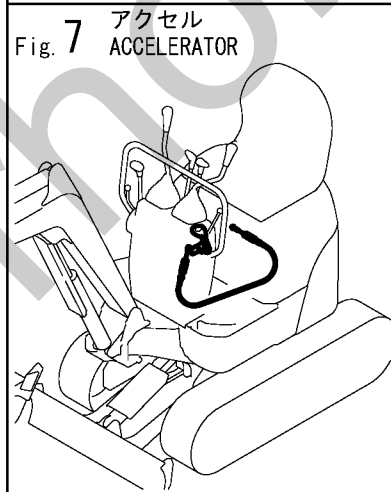
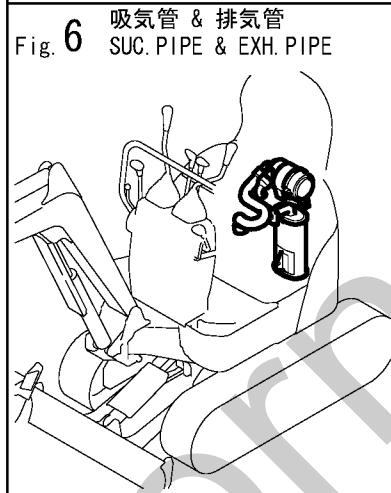
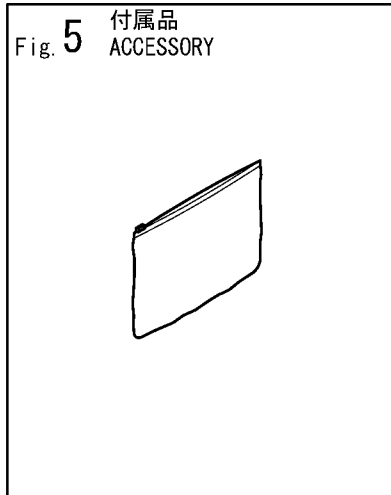
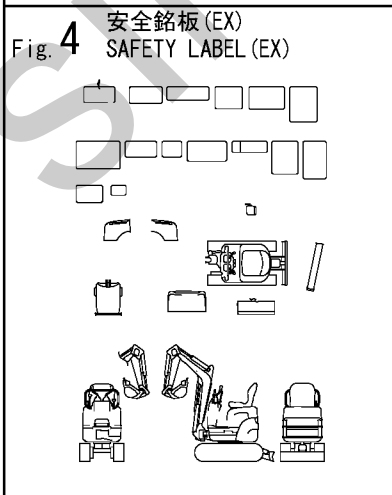
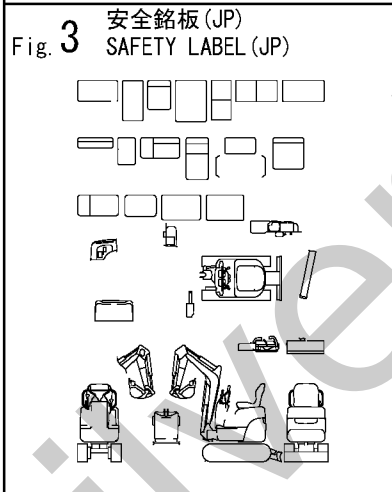
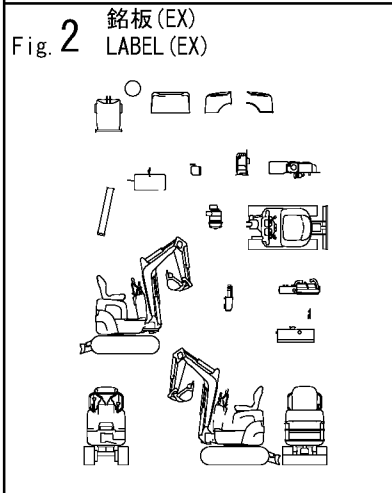
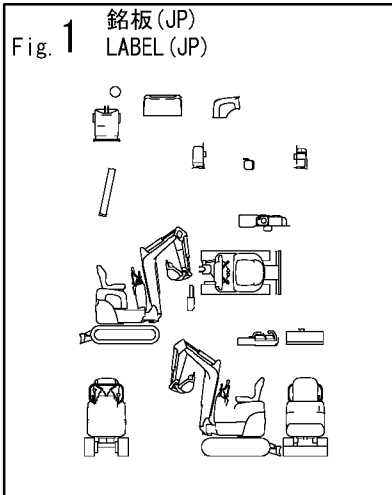
バケットアーム & リンク Fig. 67
 BUCKET ARM & LINK

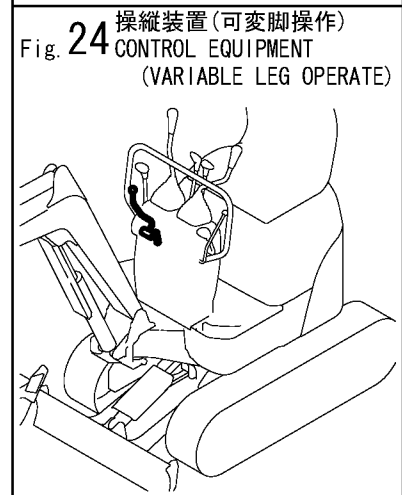
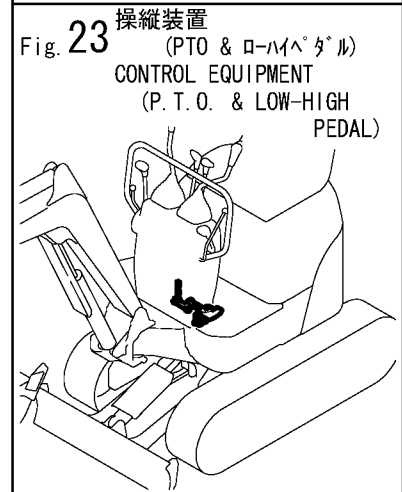
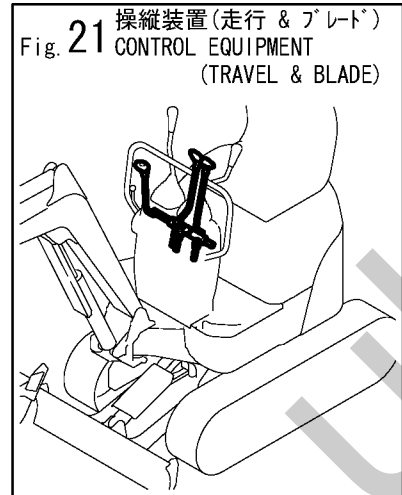
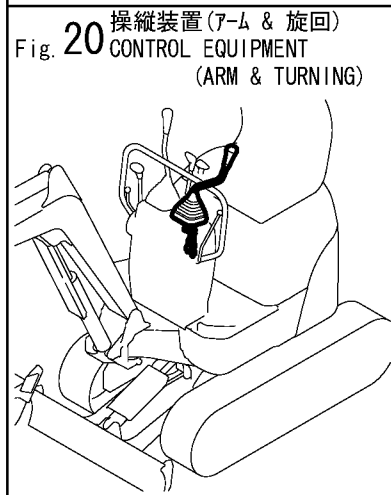
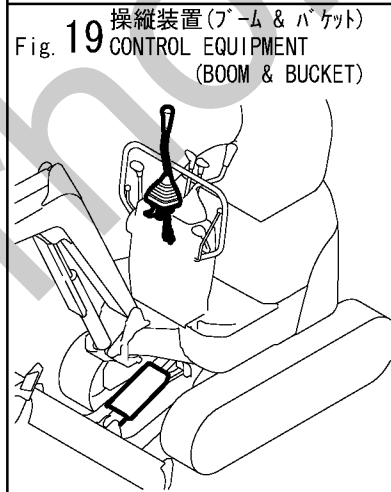
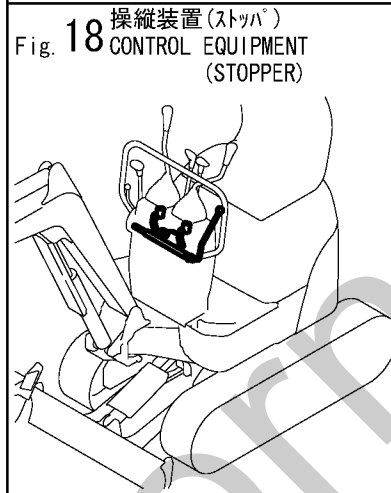
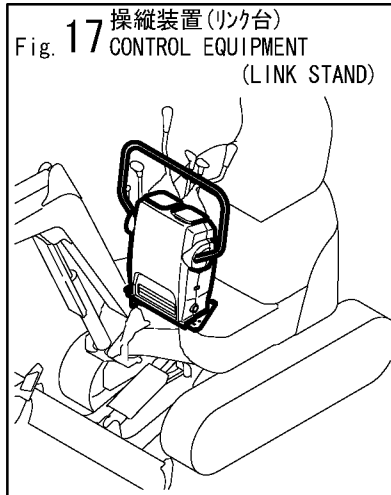
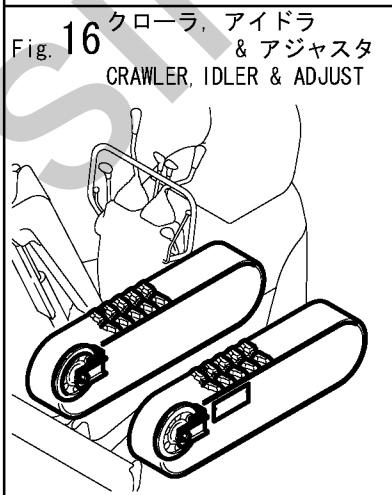
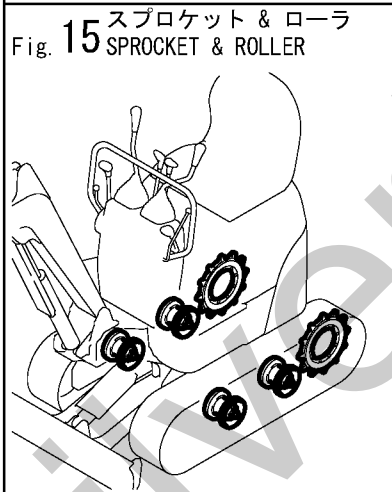
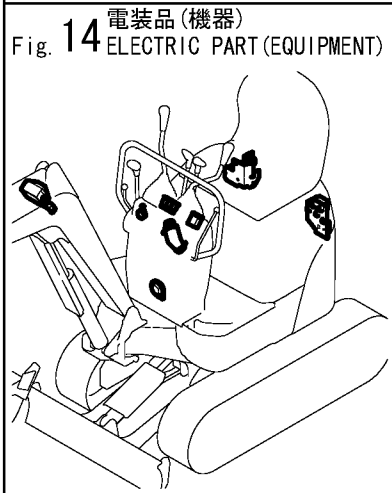
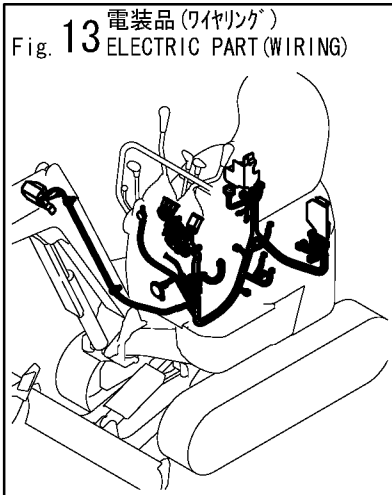
旋回フレーム Fig. 27
 TURNING FRAME
 ステップ & 旋回ロック Fig. 28
 STEP & TURNING LOCK
 油圧ポンプ & 軸継手 Fig. 31
 HYD. OIL PUMP & JOINT
 可変脚拡縮シリンダ Fig. 37
 VARIABLE LEG WIDEN/SHORTEN
 CYLINDER
 旋回モータ Fig. 39
 TURNING MOTOR
 スイベルジョイント Fig. 40, 41
 SWIVEL JOINT
 コントロールバルブ Fig. 42~47
 CONTROL VALVE
 チェックバルブ Fig. 48
 CHECK VALVE
 作動油タンク Fig. 49
 HYD. OIL TANK
 遠隔グリース Fig. 65
 GREASING

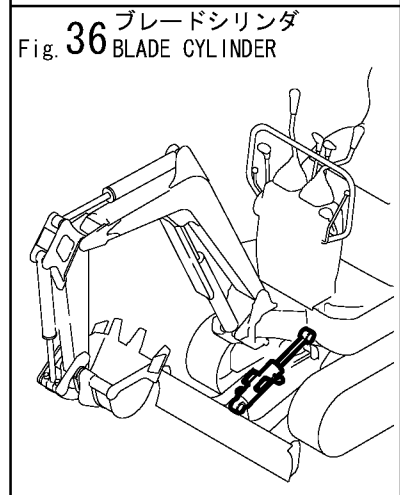
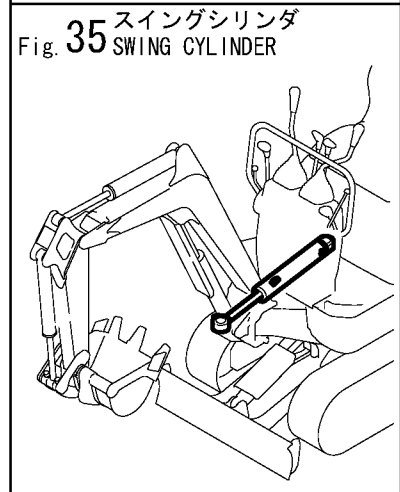
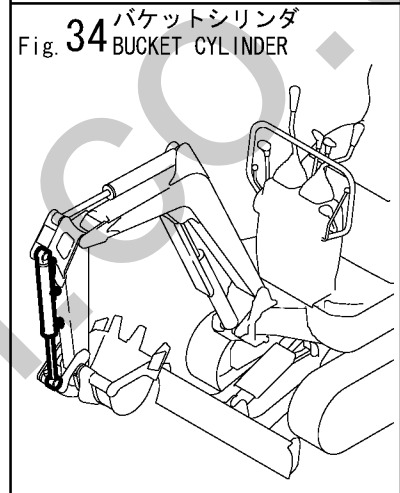
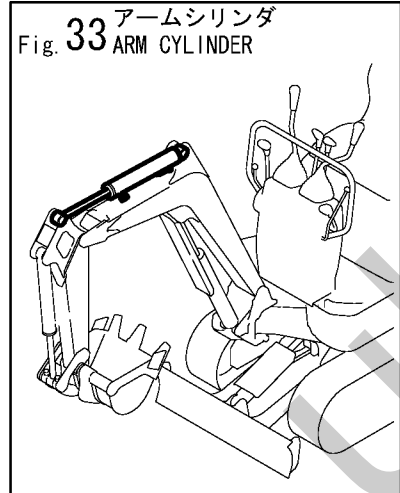
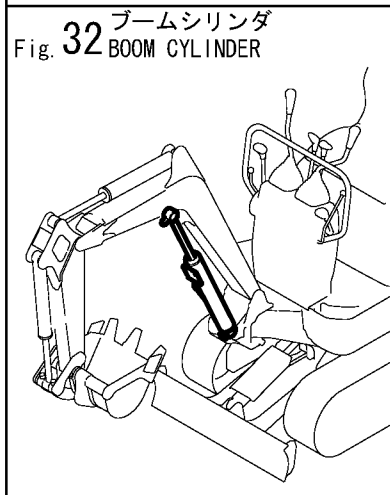
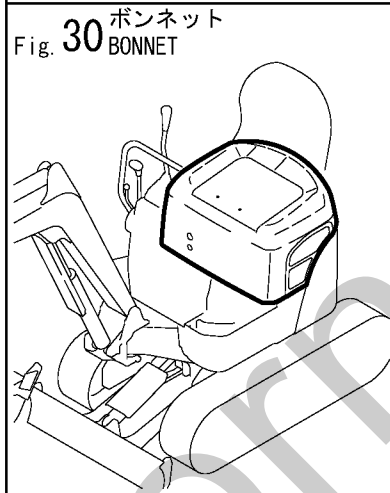
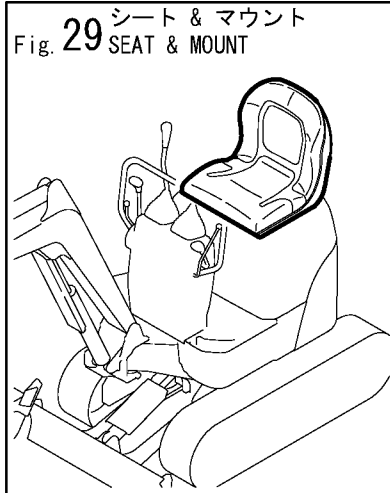
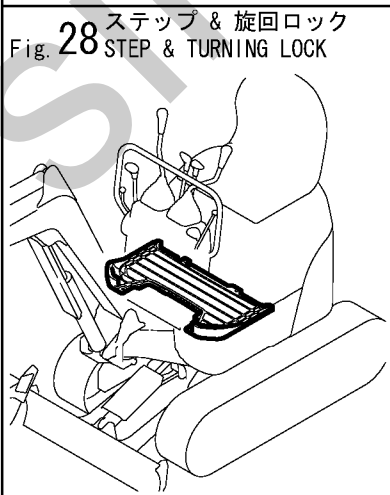
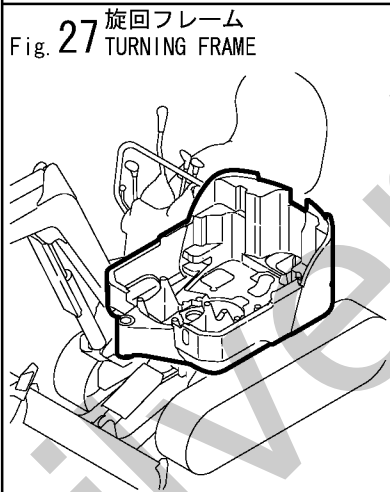
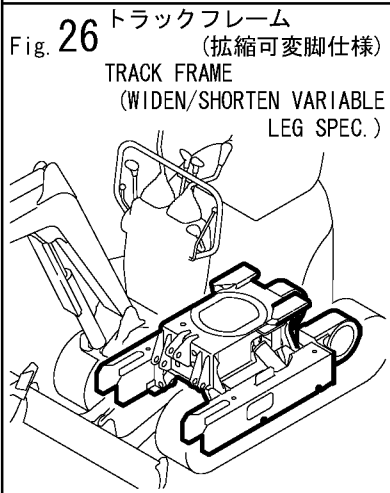
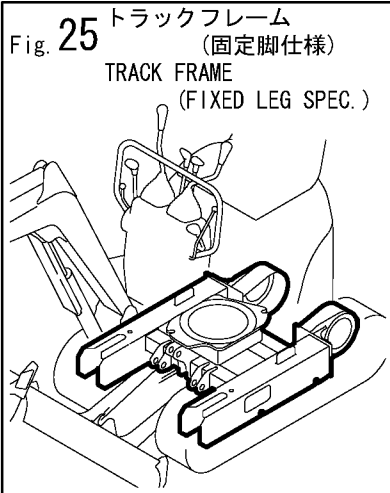
銘板 Fig. 1, 2
 LABEL
 安全銘板 Fig. 3, 4
 SAFETY LABEL
 付属品 Fig. 5
 ACCESSORY
 P.T.O.キット Fig. 70
 P. T. O. KIT
 ロングアームキット Fig. 71
 LONG ARM KIT

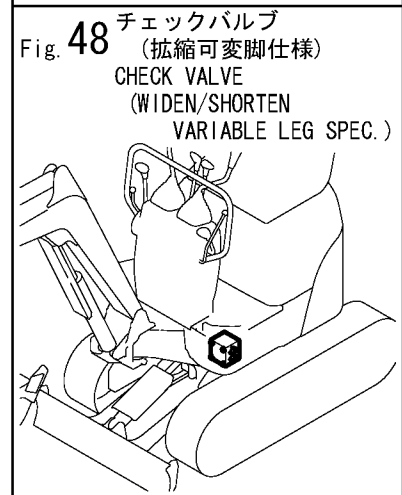
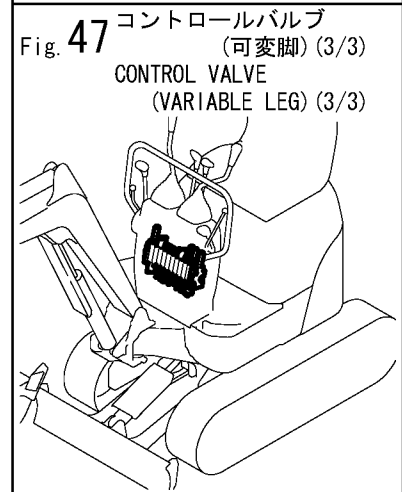
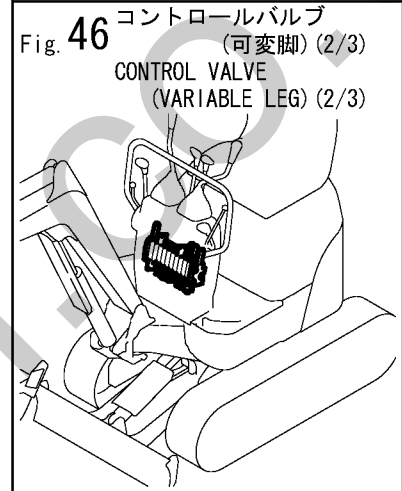
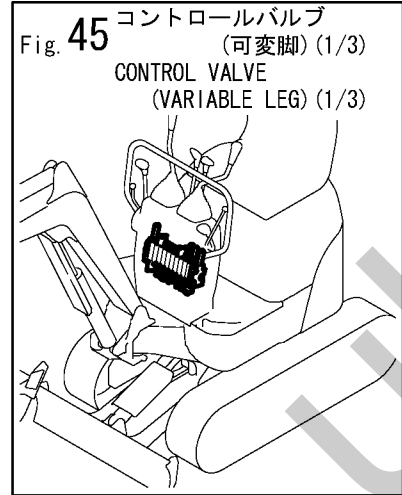
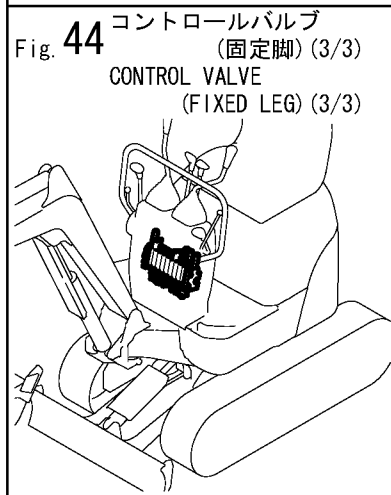
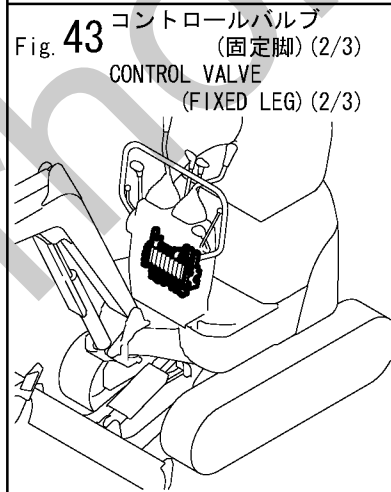
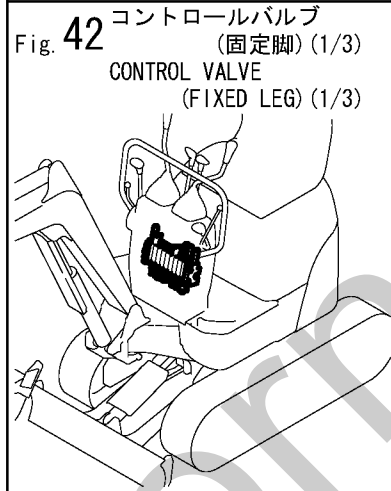
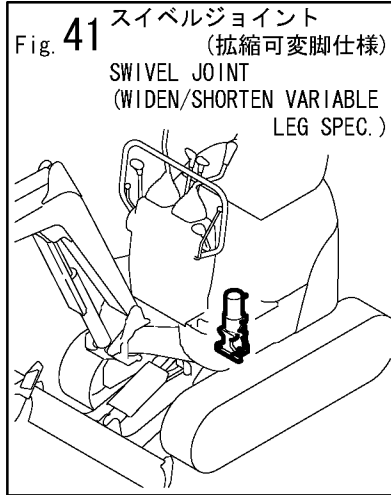
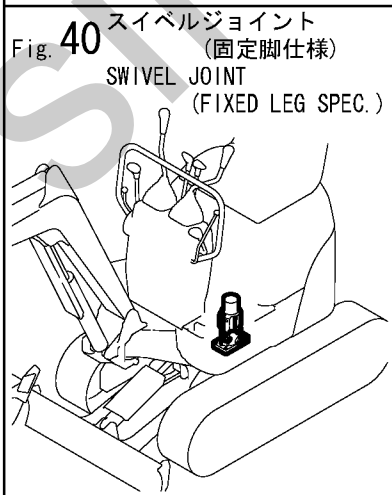
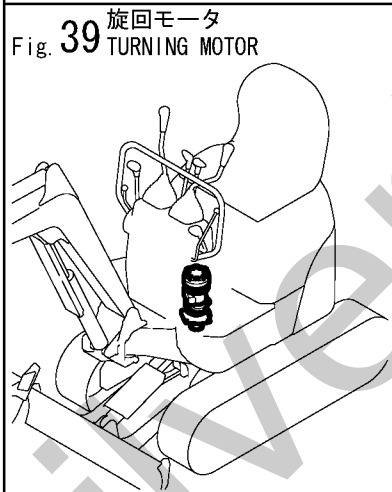
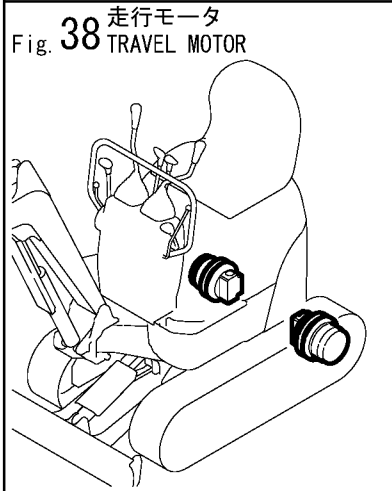
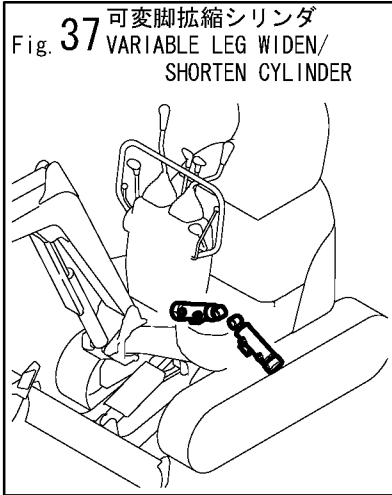
絵目次 (2) 油圧関係
PICTURESQUE INDEX (2) HYDRAULIC SECTION

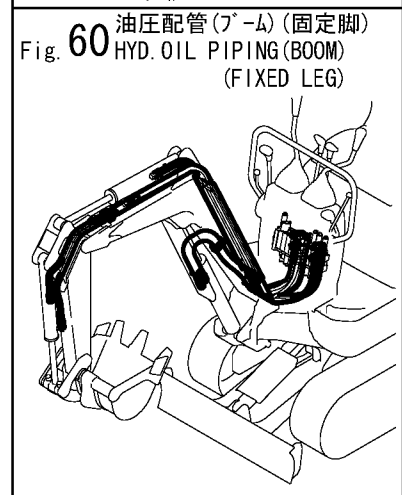
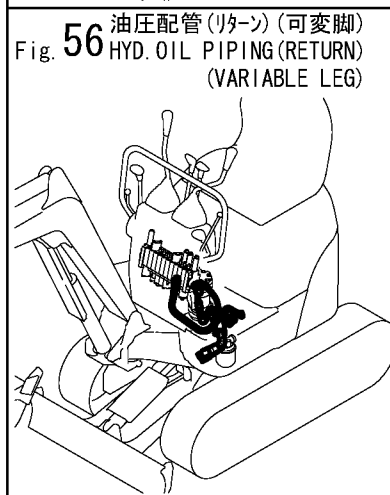
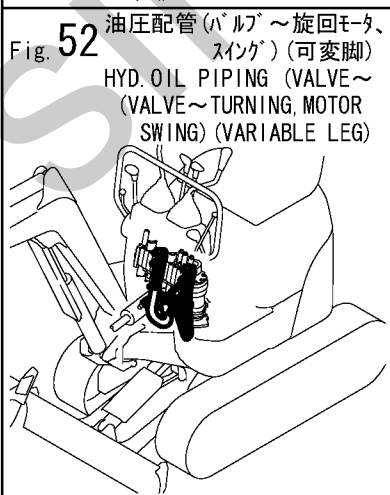
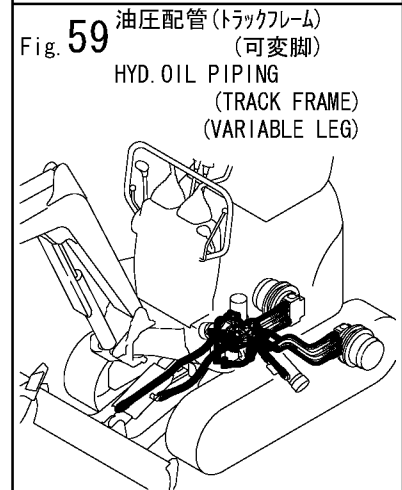
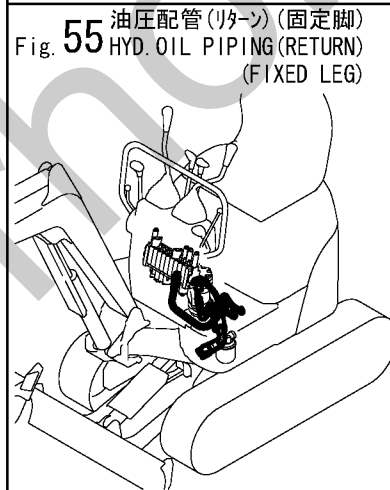
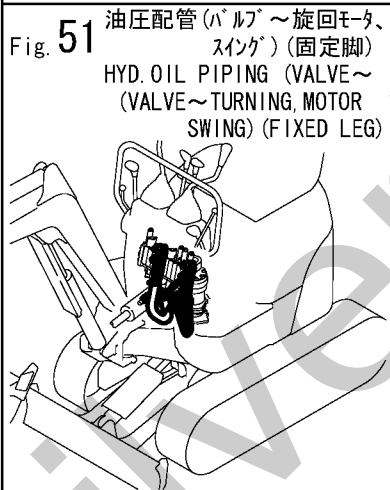
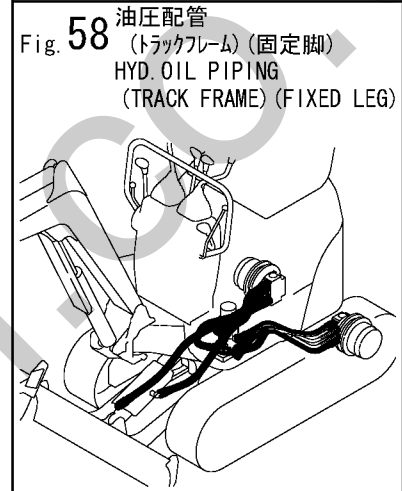
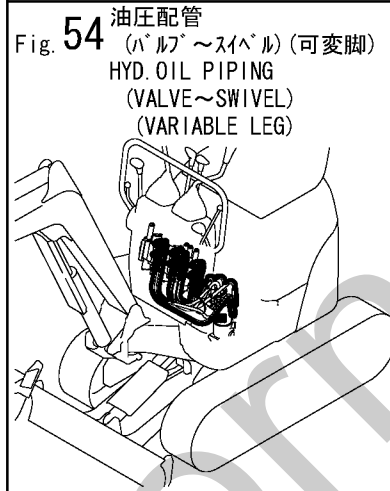
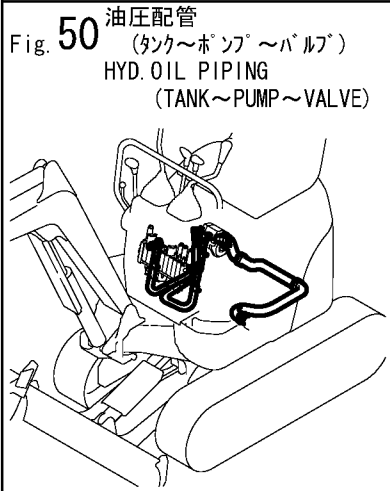
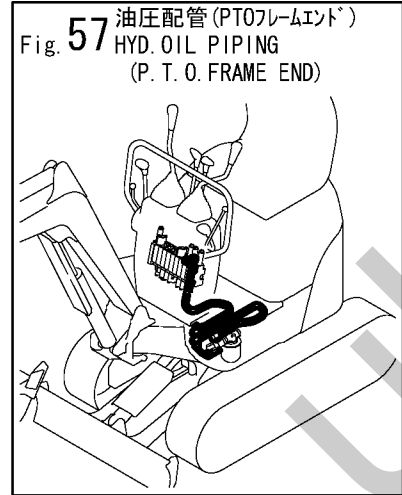
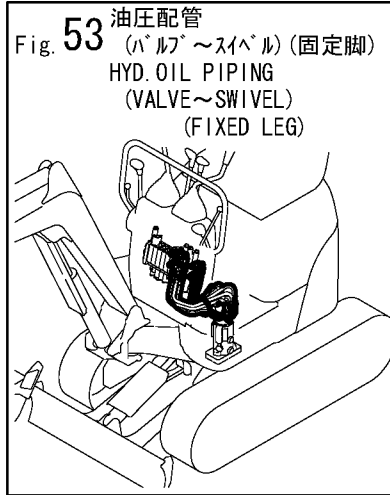
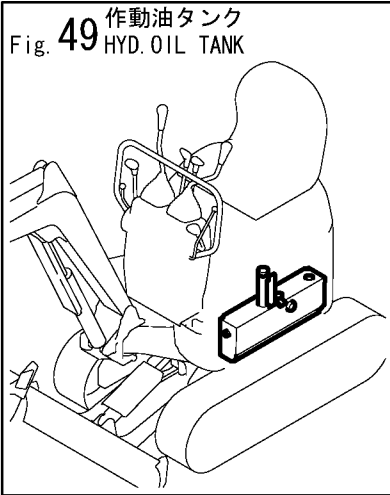


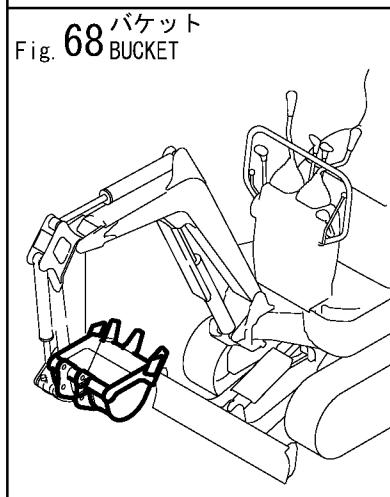
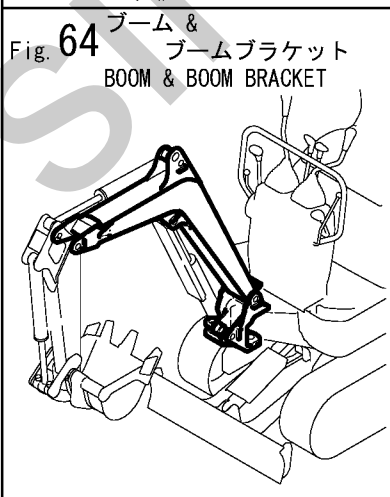
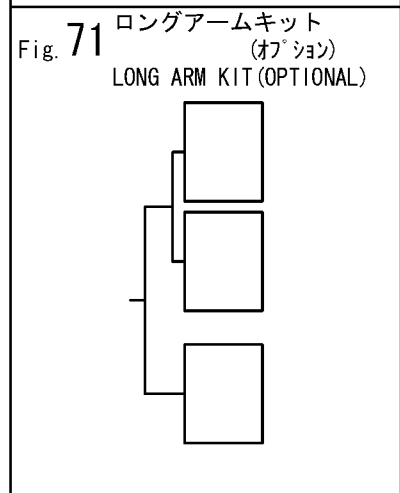
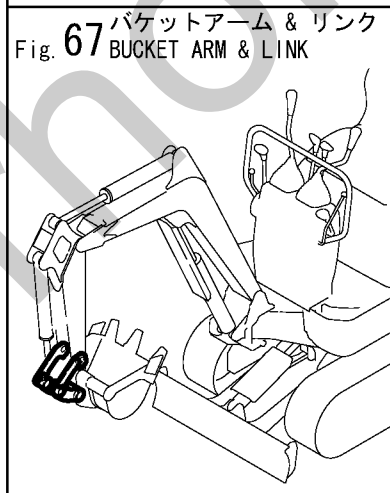
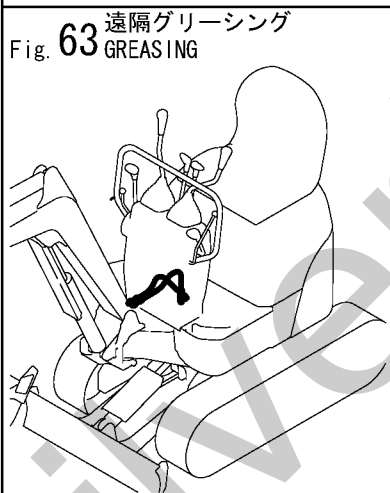
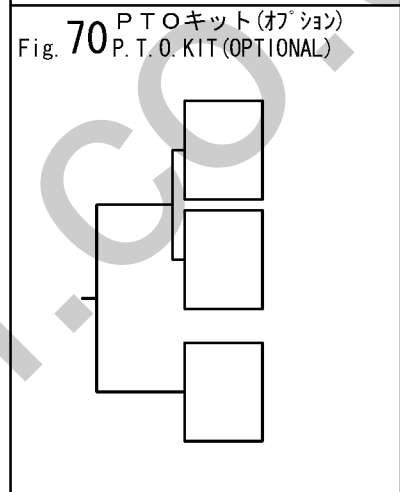
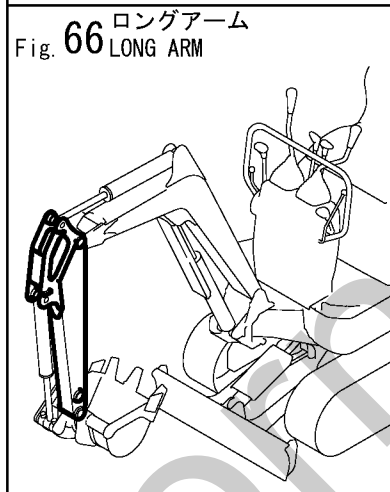
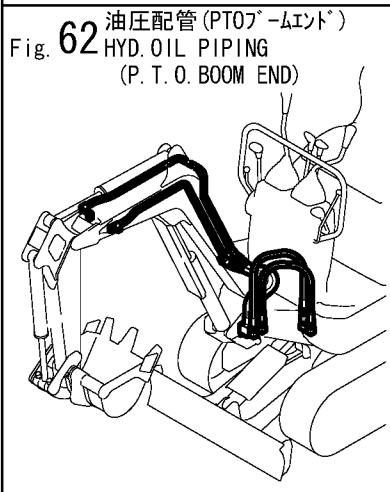
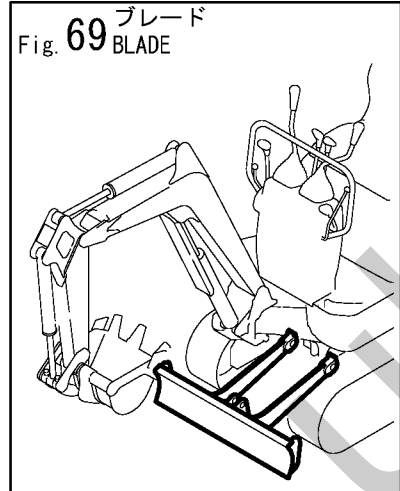
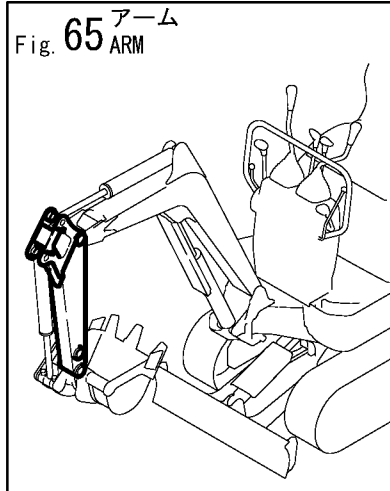
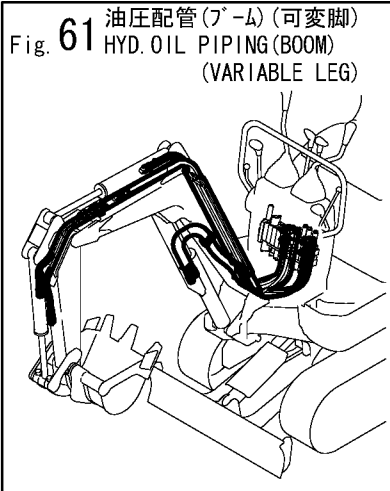








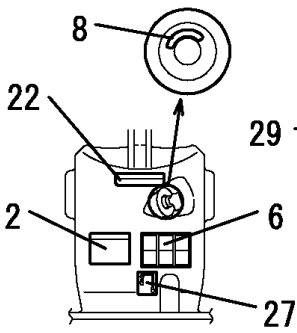




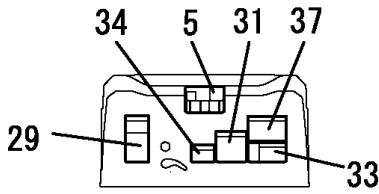
1,1,,772446-03100,, "LABEL SET,SV08 JP",1,,,,,,,,,,,,,,,,,,,,,
2,2,,172446-03110,, "LABEL,SOECIFICATION",1,,,,,,,,,,,,,,,,,,,,,
3,2,,172446-03120,, "LABEL,OIL & WATER",1,,,,,,,,,,,,,,,,,,,,,
4,2,,172446-03130,, LABEL,1,,,,,,,,,,,,,,,,,,,,,
5,2,,172446-03140,, LABEL,1,,,,,,,,,,,,,,,,,,,,,
6,2,,172446-03150,, LABEL,1,,,,,,,,,,,,,,,,,,,,,
7,2,,172446-03160,, LABEL,1,,,,,,,,,,,,,,,,,,,,,
8,2,,172157-03170,, "LABEL, KEY SWITCH",1,,,,,,,,,,,,,,,,,,,,,
9,2,,172444-03170,, LABEL,1,,,,,,,,,,,,,,,,,,,,,
10,2,,172446-03170,, LABEL,1,,,,,,,,,,,,,,,,,,,,,
11,2,,172444-03180,, LABEL,2,,,,,,,,,,,,,,,,,,,,,
12,2,,172446-03180,, LABEL,1,,,,,,,,,,,,,,,,,,,,,
13,2,,172446-03190,, LABEL,1,,,,,,,,,,,,,,,,,,,,,
14,2,,172141-03202,, "LABEL,CAUTION",1,,,,,,,,,,,,,,,,,,,,,
15,2,,172186-03200,, "LABEL,BRAND",1,,,,,,,,,,,,,,,,,,,,,
16,2,,172446-03200,, "LABEL,LIFTING",1,,,,,,,,,,,,,,,,,,,,,
17,2,,172450-03200,, "LABEL,BATTERY",1,,,,,,,,,,,,,,,,,,,,,
18,2,,172446-03210,, "LABEL,BURN",1,,,,,,,,,,,,,,,,,,,,,
19,2,,172446-03220,, "LABEL,BELT",1,,,,,,,,,,,,,,,,,,,,,
20,2,,172447-03220,, "LABEL,GREASE",1,,,,,,,,,,,,,,,,,,,,,
21,2,,172446-03230,, "LABEL,FUSE",1,,,,,,,,,,,,,,,,,,,,,
22,2,,172444-03240,, LABEL,1,,,,,,,,,,,,,,,,,,,,,
23,2,,172183-03250,, "LABEL,FUEL",1,,,,,,,,,,,,,,,,,,,,,
24,2,,172446-03250,, "LABEL,WARNING",1,,,,,,,,,,,,,,,,,,,,,
25,2,,172446-03260,, "LABEL,GREESE FEED",1,,,,,,,,,,,,,,,,,,,,,
26,2,,172183-03280,, "LABEL,LOCK",1,,,,,,,,,,,,,,,,,,,,,
27,2,,172137-03300,, "LABEL, TURNING LOCK",1,,,,,,,,,,,,,,,,,,,,,
28,2,,172142-03302,, "LABEL,CAUTION",1,,,,,,,,,,,,,,,,,,,,,
29,2,,172964-03370,, LABEL,1,,,,,,,,,,,,,,,,,,,,,
30,2,,172964-03481,, "LABEL,DANGER",1,,,,,,,,,,,,,,,,,,,,,
31,2,,172164-03510,, "LABEL,LOADING",1,,,,,,,,,,,,,,,,,,,,,
32,2,,172437-03510,, "LABEL,HOOK",1,,,,,,,,,,,,,,,,,,,,,
33,2,,172164-03540,, LABEL,1,,,,,,,,,,,,,,,,,,,,,
34,2,,172519-04180,, "LABEL,WARNING",1,,,,,,,,,,,,,,,,,,,,,
35,2,,121470-44540,, "LABEL, SUB-TANK",1,,,,,,,,,,,,,,,,,,,,,
36,2,,172446-03240,, LABEL,1,,,,,,,,,,,,,,,,,,,,,
37,2,,172446-03270,, LABEL,1,,,,,,,,,,,,,,,,,,,,,



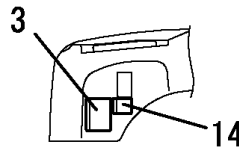
見出しNo. 1は
見出しNo. 2から37を含みます。
1 INC. 2~37.



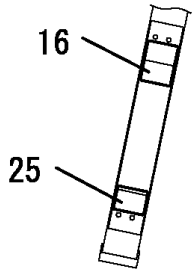
(A) から見る
VIEWED FROM (A)



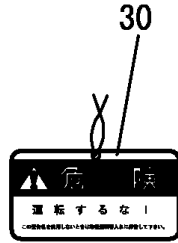
(B) から見る
VIEWED FROM (B)



(C) から見る (ボンネット内側)
VIEWED FROM (C) (BONNET INSIDE)

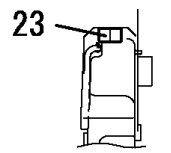


(D) から見る
VIEWED FROM (D)



(H) から見る
VIEWED FROM (H)

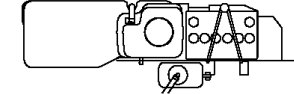
取説収納庫在中
IN THE OPERATION
MANUAL CASE



ボンネット内部右側
RIGHT OF BONNET INSIDE



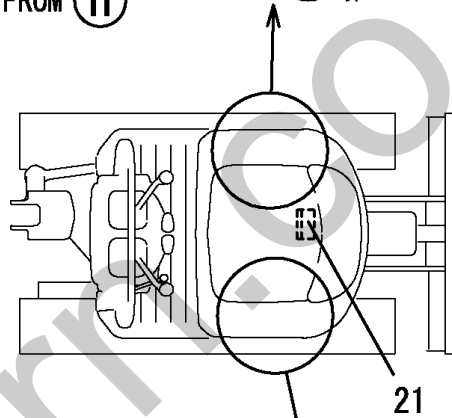
(H) から見る
VIEWED FROM (H)



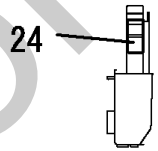
(G) から見る
VIEWED FROM (G)



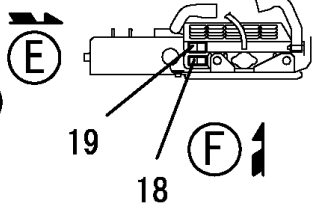
(G) から見る
VIEWED FROM (G)



ボンネット内部左側
LEFT OF BONNET INSIDE



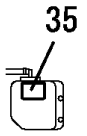
(E) から見る
VIEWED FROM (E)



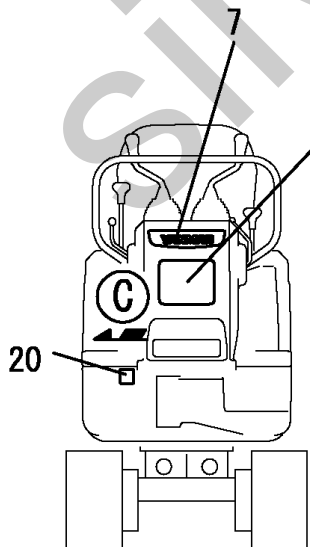
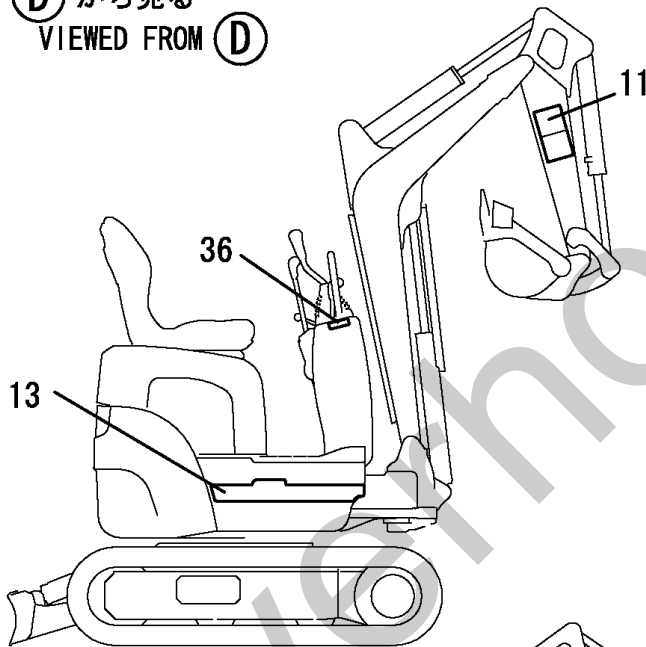
(E) から見る
VIEWED FROM (E)



(F) から見る
VIEWED FROM (F)

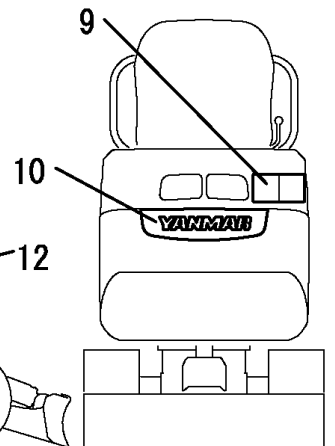
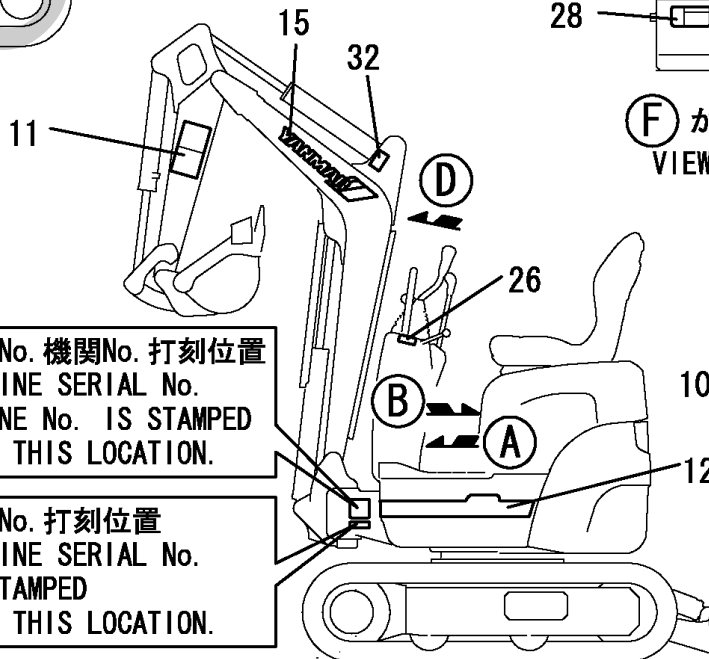


(I) から見る
VIEWED FROM (I)



機体No. 機関No. 打刻位置
MACHINE SERIAL No.
ENGINE No. IS STAMPED
INTO THIS LOCATION.

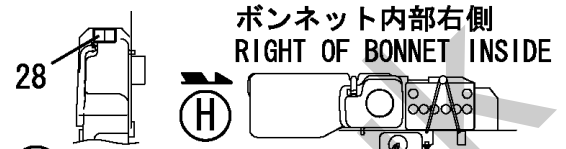
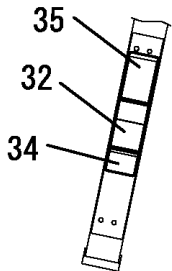
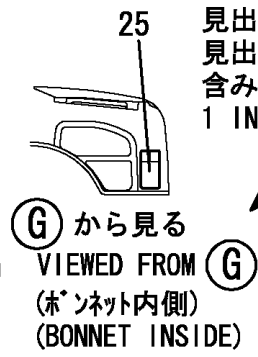
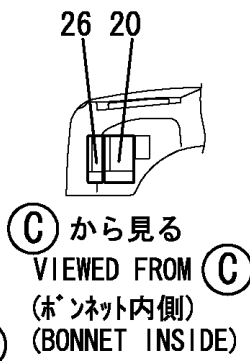
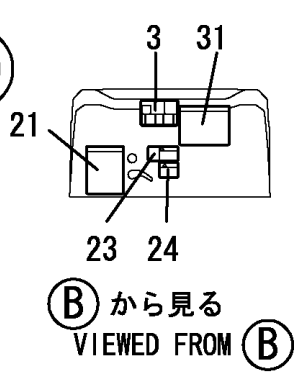
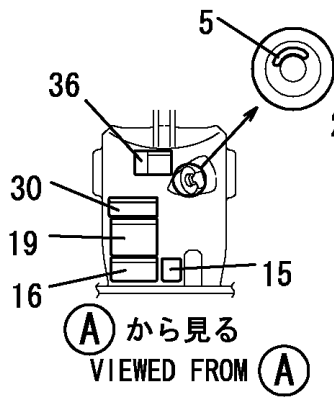
機体No. 打刻位置
MACHINE SERIAL No.
IS STAMPED
INTO THIS LOCATION.



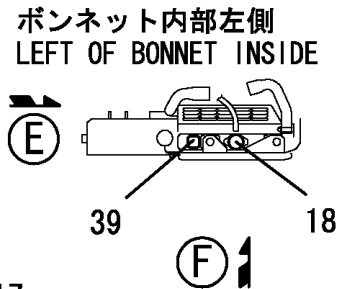
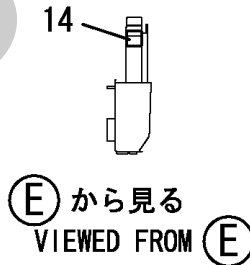
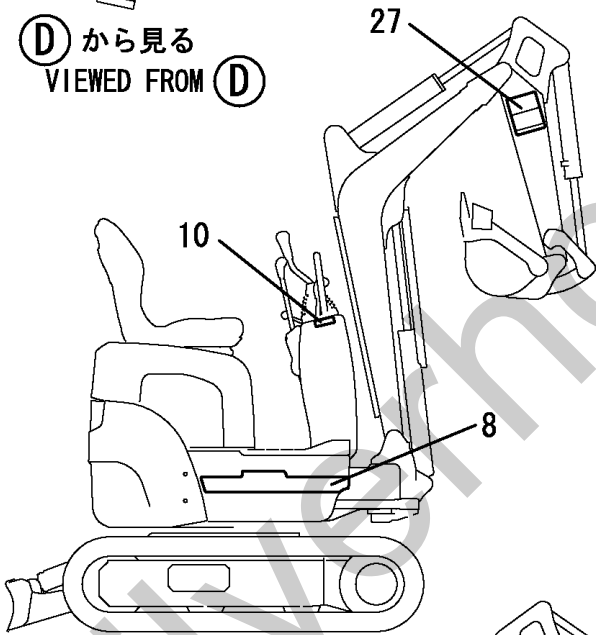
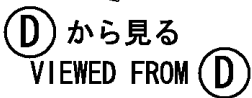
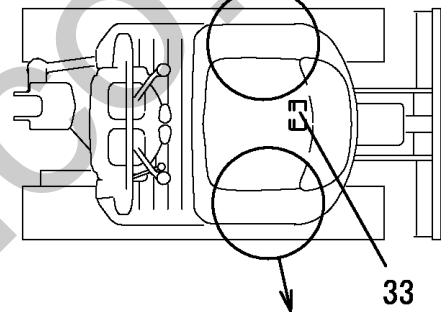
1,1,,772446-03170,, "LABEL SET SV08 EX",,1,,,,,,,,,,,,,,,,,,,,,I
2,2,,172446-03130,, LABEL,,1,,,,,,,,,,,,,,,,,,,,,I
3,2,,172446-03140,, LABEL,,1,,,,,,,,,,,,,,,,,,,,,I
4,2,,172446-03160,, LABEL,,1,,,,,,,,,,,,,,,,,,,,,I
5,2,,172157-03170,, "LABEL, KEY SWITCH",,1,,,,,,,,,,,,,,,,,,,,,I
6,2,,172446-03170,, LABEL,,1,,,,,,,,,,,,,,,,,,,,,I
7,2,,172446-03180,, LABEL,,1,,,,,,,,,,,,,,,,,,,,,I
8,2,,172446-03190,, LABEL,,1,,,,,,,,,,,,,,,,,,,,,I
9,2,,172186-03200,, "LABEL,BRAND",,1,,,,,,,,,,,,,,,,,,,,,I
10,2,,172446-03240,, LABEL,,1,,,,,,,,,,,,,,,,,,,,,I
11,2,,172437-03250,, "TAG,SERVICING ASSY",,1,,,,,,,,,,,,,,,,,,,,,I
12,2,,172462-03260,, "LABEL,GREASE US",,1,,,,,,,,,,,,,,,,,,,,,I
13,2,,172183-03280,, "LABEL,LOCK",,1,,,,,,,,,,,,,,,,,,,,,I
14,2,,172463-03290,, "LABEL,HYD.OIL US",,1,,,,,,,,,,,,,,,,,,,,,I
15,2,,172137-03300,, "LABEL, TURNING LOCK",,1,,,,,,,,,,,,,,,,,,,,,I
16,2,,172437-03310,, "LABEL,SLOPE",,1,,,,,,,,,,,,,,,,,,,,,I
17,2,,172437-03320,, "LABEL,HYD.OIL TANK",,1,,,,,,,,,,,,,,,,,,,,,I
18,2,,172462-03320,, LABEL,,1,,,,,,,,,,,,,,,,,,,,,I
19,2,,172437-03340,, "LABEL,TRANSPORT",,1,,,,,,,,,,,,,,,,,,,,,I
20,2,,172437-03360,, "LABEL,BATTERY",,1,,,,,,,,,,,,,,,,,,,,,I
21,2,,172437-03371,, LABEL,,1,,,,,,,,,,,,,,,,,,,,,I
22,2,,172437-03380,, "LABEL,SWING AREA",,1,,,,,,,,,,,,,,,,,,,,,I
23,2,,172437-03390,, "LABEL,RADIATOR",,1,,,,,,,,,,,,,,,,,,,,,I
24,2,,172437-03400,, "LABEL,ENG.HOOD",,1,,,,,,,,,,,,,,,,,,,,,I
25,2,,172437-03410,, "LABEL,ENG.ROOM",,1,,,,,,,,,,,,,,,,,,,,,I
26,2,,172437-03421,, "LABEL,MUFFLER",,1,,,,,,,,,,,,,,,,,,,,,I
27,2,,172437-03460,, "LABEL, BOOM",,2,,,,,,,,,,,,,,,,,,,,,I
28,2,,172437-03500,, "LABEL,FUEL",,1,,,,,,,,,,,,,,,,,,,,,I
29,2,,172437-03510,, "LABEL,HOOK",,1,,,,,,,,,,,,,,,,,,,,,I
30,2,,172446-03600,, "LABEL,SPEC. E",,1,,,,,,,,,,,,,,,,,,,,,I
31,2,,172446-03610,, "LABEL,OIL&WATER E",,1,,,,,,,,,,,,,,,,,,,,,I
32,2,,172446-03620,, "LABEL,LIFT E",,1,,,,,,,,,,,,,,,,,,,,,I
33,2,,172446-03630,, "LABEL,FUSE E",,1,,,,,,,,,,,,,,,,,,,,,I
34,2,,172446-03640,, "LABEL,GREASE E",,1,,,,,,,,,,,,,,,,,,,,,I
35,2,,172446-03651,, "LABEL,VARIABLE US",,1,,,,,,,,,,,,,,,,,,,,,I
36,2,,172446-03760,, "LABEL,MANUAL",,1,,,,,,,,,,,,,,,,,,,,,I
37,2,,172125-03950,, "LABEL, AIR CLEANER",,1,,,,,,,,,,,,,,,,,,,,,I
38,2,,124764-44810,, "LABEL, SUB-TANK",,1,,,,,,,,,,,,,,,,,,,,,I
39,2,,124764-44920,, "LABEL, ANTI-FREEZING",,1,,,,,,,,,,,,,,,,,,,,,I



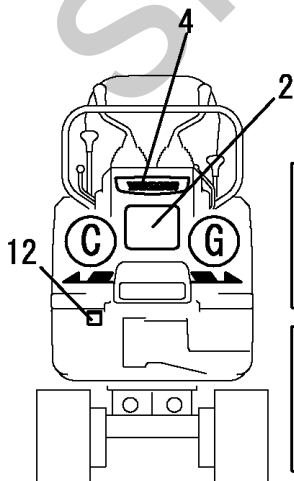
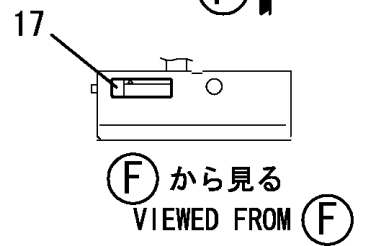
見出しNo. 1は
見出しNo. 2から39を
含みます。
1 INC. 2~39.



取説収納庫在中
IN THE OPERATION
MANUAL CASE

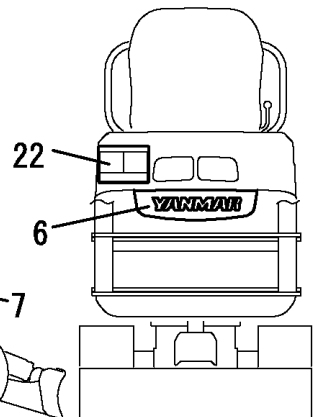
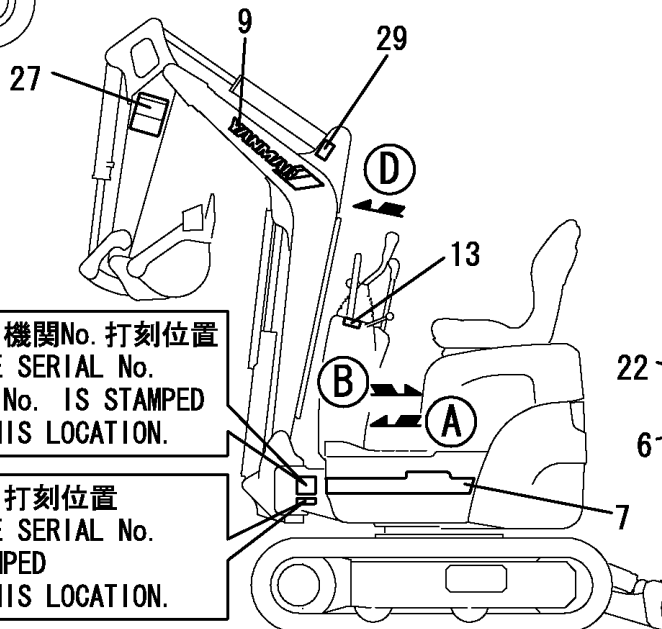


ボンネット内部左側
LEFT OF BONNET INSIDE



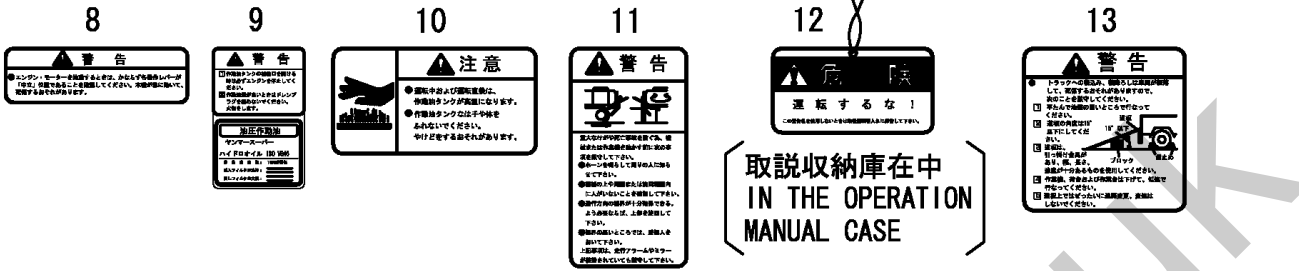
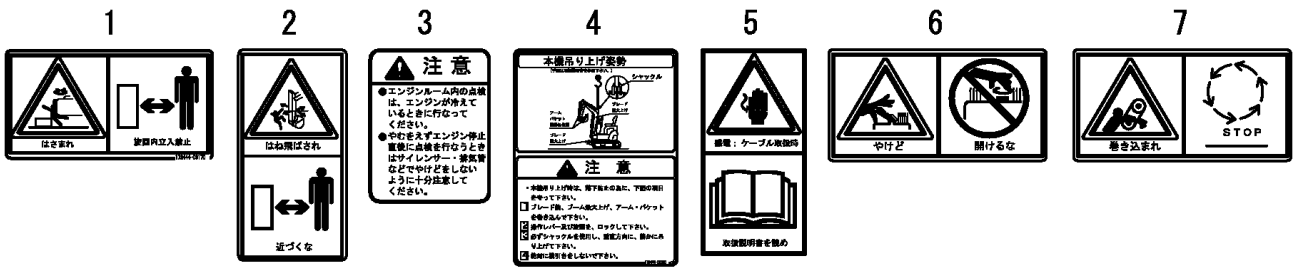
機体No. 機関No. 打刻位置
MACHINE SERIAL No.
ENGINE No. IS STAMPED
INTO THIS LOCATION.

機体No. 打刻位置
MACHINE SERIAL No.
IS STAMPED
INTO THIS LOCATION.

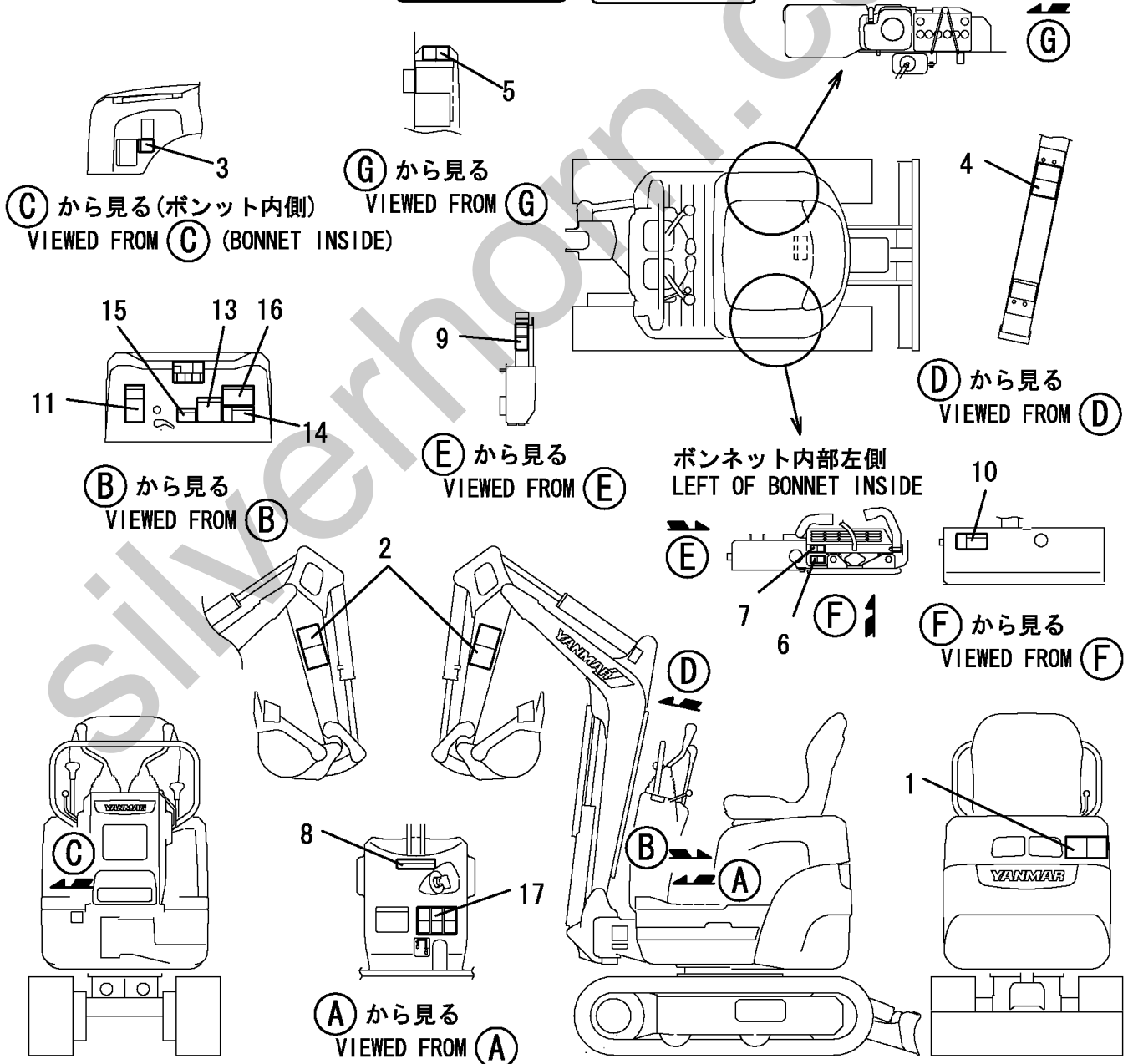


1,1,,172444-03170,,LABEL,1,1,,,,,,,,,,,,,,,,,,,,,
2,1,,172444-03180,,LABEL,2,2,,,,,,,,,,,,,,,,,,,,,
3,1,,172141-03202,, "LABEL,CAUTION",1,1,,,,,,,,,,,,,,,,,,,,,
4,1,,172446-03200,, "LABEL,LIFTING",1,1,,,,,,,,,,,,,,,,,,,,,
5,1,,172450-03200,, "LABEL,BATTERY",1,1,,,,,,,,,,,,,,,,,,,,,
6,1,,172446-03210,, "LABEL,BURN",1,1,,,,,,,,,,,,,,,,,,,,,
7,1,,172446-03220,, "LABEL,BELT",1,1,,,,,,,,,,,,,,,,,,,,,
8,1,,172444-03240,, LABEL,1,1,,,,,,,,,,,,,,,,,,,,,
9,1,,172446-03250,, "LABEL,WARNING",1,1,,,,,,,,,,,,,,,,,,,,,
10,1,,172142-03302,, "LABEL,CAUTION",1,1,,,,,,,,,,,,,,,,,,,,,
11,1,,172964-03370,, LABEL,1,1,,,,,,,,,,,,,,,,,,,,,
12,1,,172964-03481,, "LABEL,DANGER",1,1,,,,,,,,,,,,,,,,,,,,,
13,1,,172164-03510,, "LABEL,LOADING",1,1,,,,,,,,,,,,,,,,,,,,,
14,1,,172164-03540,, LABEL,1,1,,,,,,,,,,,,,,,,,,,,,
15,1,,172519-04180,, "LABEL,WARNING",1,1,,,,,,,,,,,,,,,,,,,,,
16,1,,172446-03270,, LABEL,1,1,,,,,1,,,,,,,,,,,,,
17,1,,172446-03150,, LABEL,1,1,,,,,,,,,,,,,,,,,,,,,

Silverhorn.CO.UK



ボンネット内部右側
RIGHT OF BONNET INSIDE



Ⓒ から見る (ボンネット内側)
VIEWED FROM Ⓒ (BONNET INSIDE)

Ⓔ から見る
VIEWED FROM Ⓔ

Ⓓ から見る
VIEWED FROM Ⓓ

Ⓑ から見る
VIEWED FROM Ⓑ

Ⓔ から見る
VIEWED FROM Ⓔ

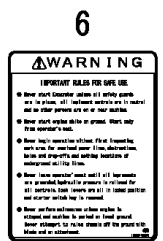
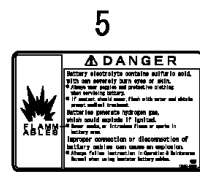
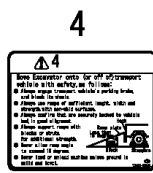
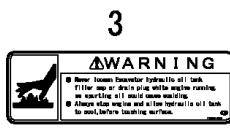
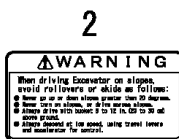
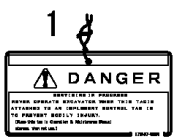
ボンネット内部左側
LEFT OF BONNET INSIDE

Ⓕ から見る
VIEWED FROM Ⓕ

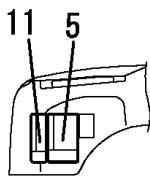
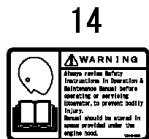
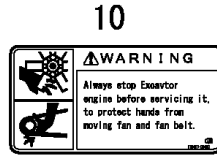
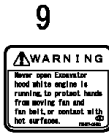
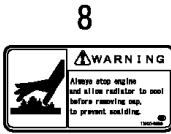
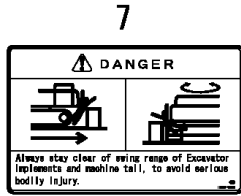
Ⓐ から見る
VIEWED FROM Ⓐ

1,1,,172437-03250,, "TAG,SERVICING ASSY",,1,,,,,,,,,,,,,I
2,1,,172437-03310,, "LABEL,SLOPE",,1,,,,,,,,,,,,,I
3,1,,172437-03320,, "LABEL,HYD.OIL TANK",,1,,,,,,,,,,,,,I
4,1,,172437-03340,, "LABEL,TRANSPORT",,1,,,,,,,,,,,,,I
5,1,,172437-03360,, "LABEL,BATTERY",,1,,,,,,,,,,,,,I
6,1,,172437-03371,, LABEL,,1,,,,,,,,,,,,,I
7,1,,172437-03380,, "LABEL,SWING AREA",,1,,,,,,,,,,,,,I
8,1,,172437-03390,, "LABEL,RADIATOR",,1,,,,,,,,,,,,,I
9,1,,172437-03400,, "LABEL,ENG.HOOD",,1,,,,,,,,,,,,,I
10,1,,172437-03410,, "LABEL,ENG.ROOM",,1,,,,,,,,,,,,,I
11,1,,172437-03421,, "LABEL,MUFFLER",,1,,,,,,,,,,,,,I
12,1,,172437-03460,, "LABEL, BOOM",,2,,,,,,,,,,,,,I
13,1,,172446-03651,, "LABEL,VARIABLE US",,1,,,,,,,,,,,,,I
14,1,,172446-03760,, "LABEL,MANUAL",,1,,,,,,,,,,,,,I
15,1,,124764-44810,, "LABEL, SUB-TANK",,1,,,,,,,,,,,,,I

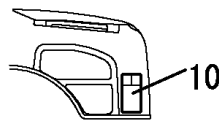
Silverhorn.CO.UK



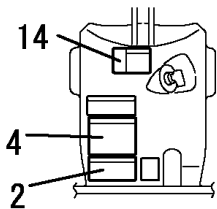
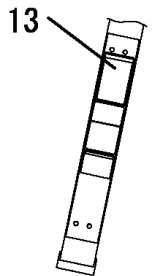
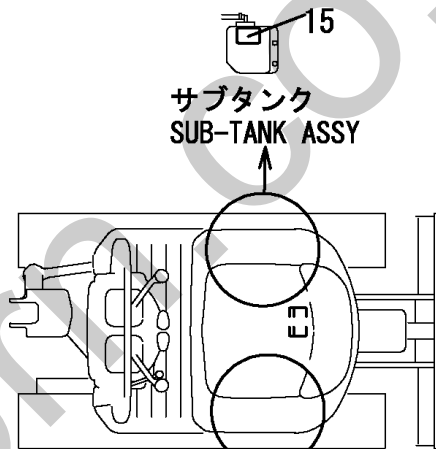
取説収納庫在中
IN THE OPERATION
MANUAL CASE



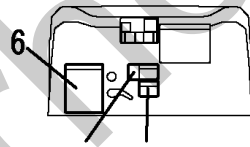
③ ⑤ ⑥ から見る
VIEWED FROM ③
(ボンネット内側)
(BONNET INSIDE)



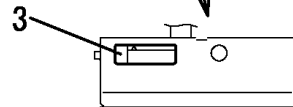
⑩ ⑪ ⑫ から見る
VIEWED FROM ⑩
(ボンネット内側)
(BONNET INSIDE)



⑭ ④ ② から見る
VIEWED FROM ⑭
(FRONT)

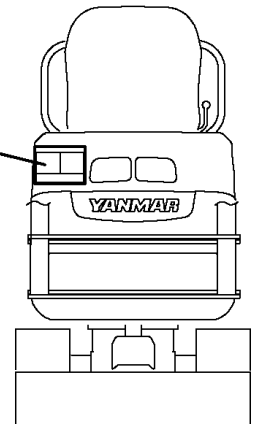
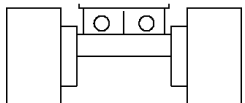
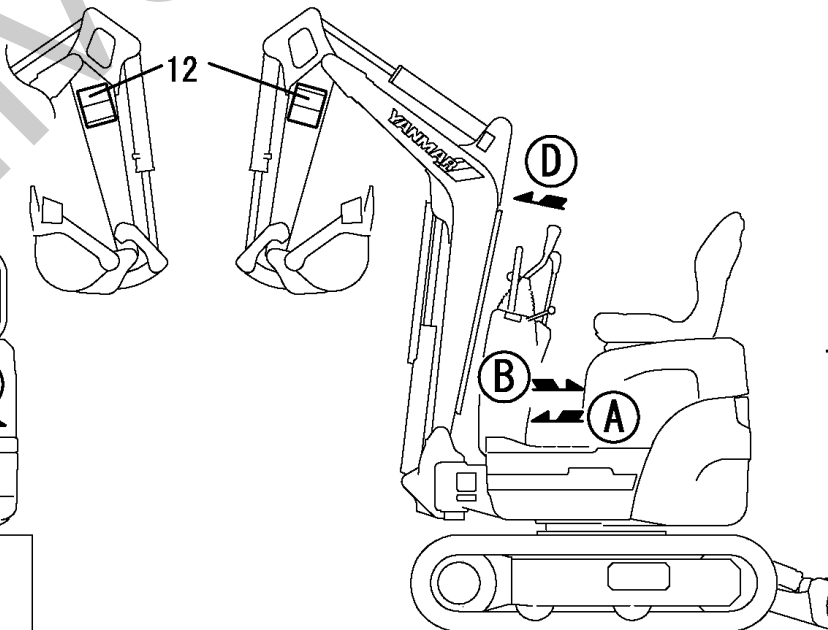


⑥ ⑧ ⑨ から見る
VIEWED FROM ⑥
(FRONT)



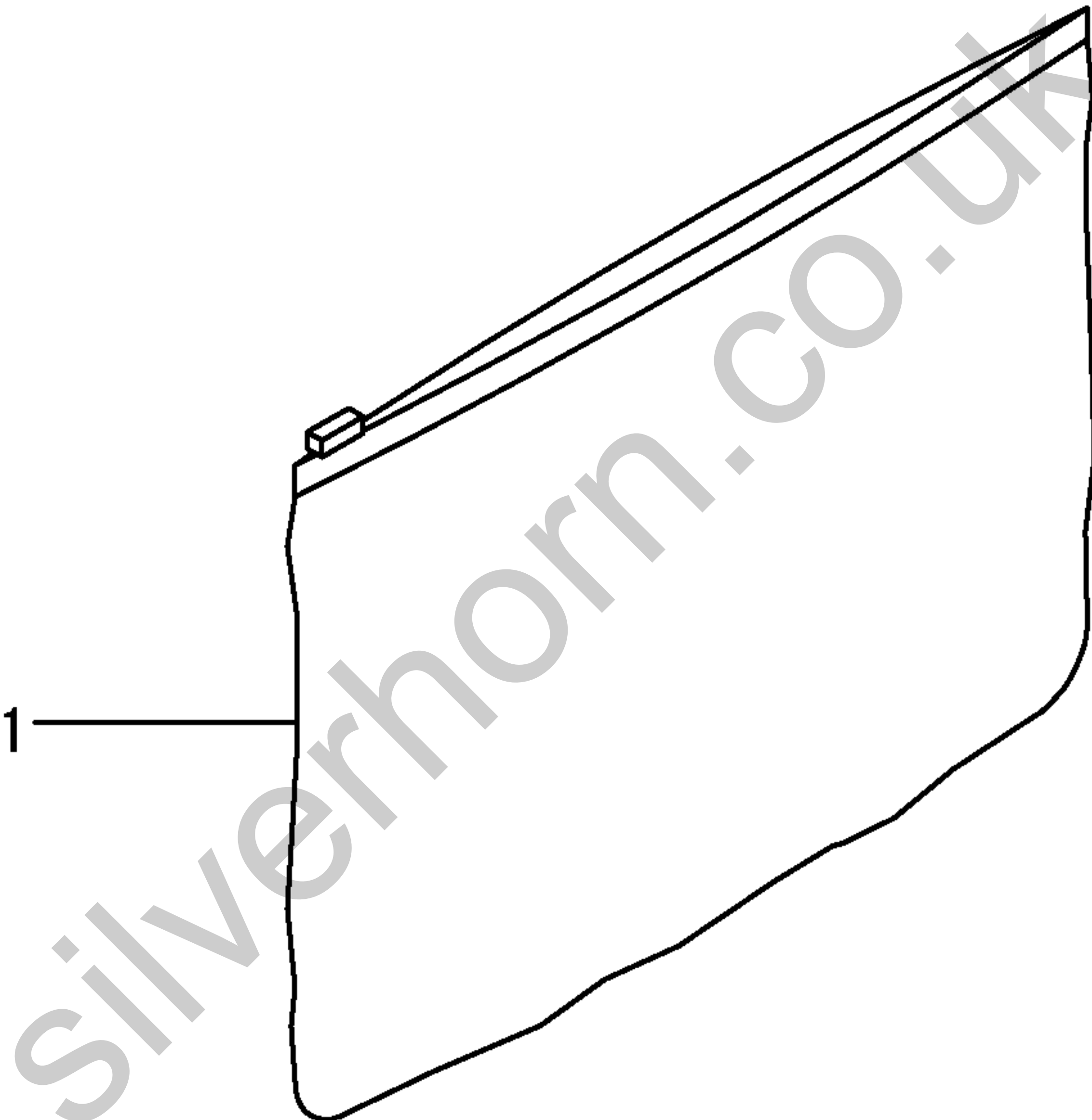
リザーバASSY
RESERVER ASSY

③ から見る
VIEWED FROM ③
(REAR)



1,1,,172176-07330,, "BAG, MANUAL",1,1,,,,,,,,,,,,,,,,,,,,,

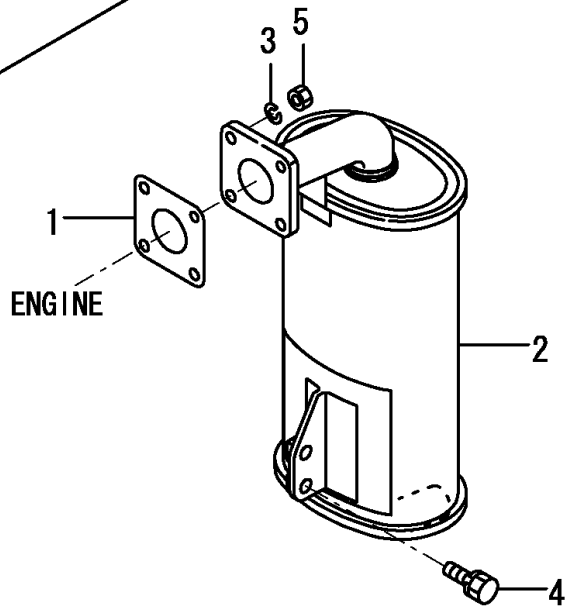
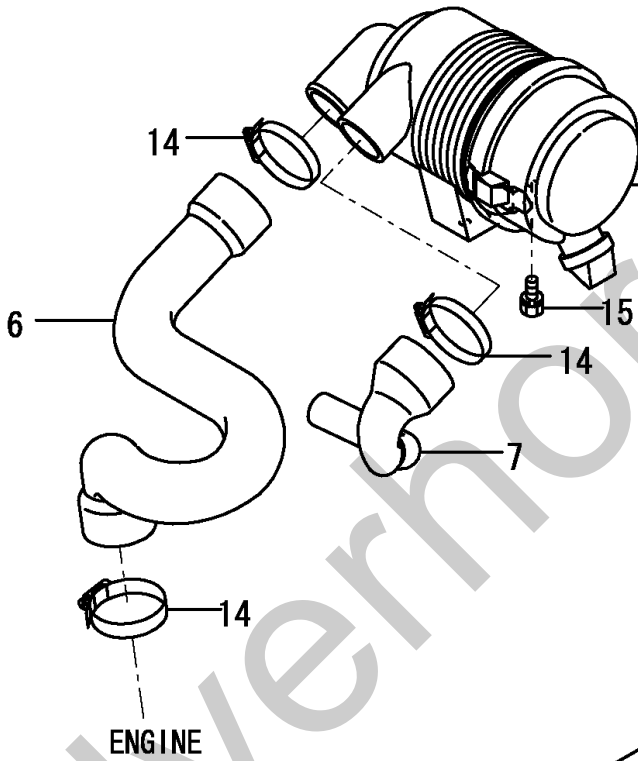
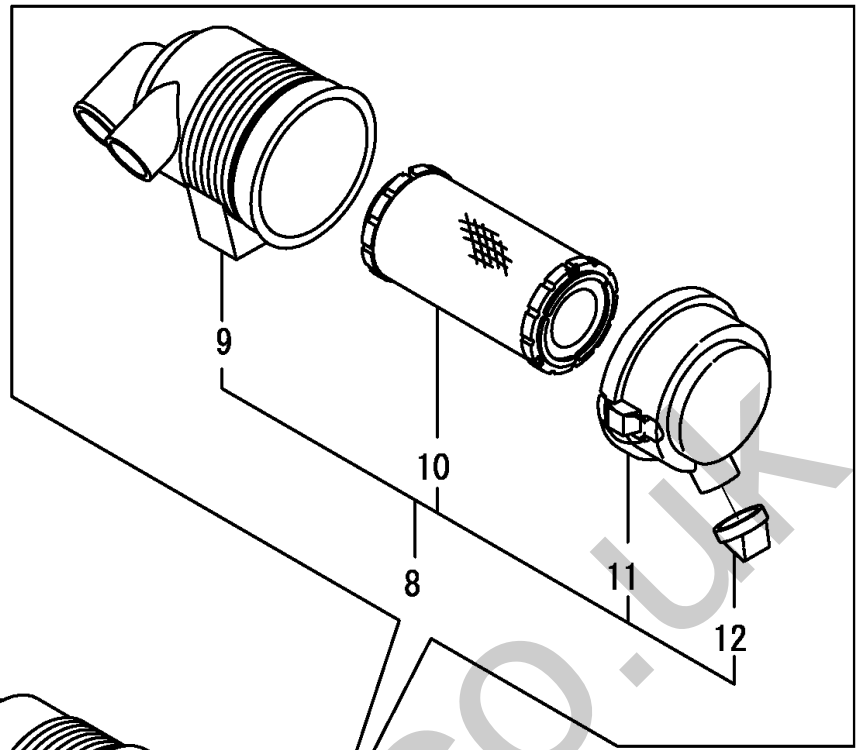
Silverhorn.CO.UK



1,1,,124701-11911,, "GASKET, (NON-ASB.)",1,1,,,,,,,,,,,,,
2,1,,119325-13530,, SILENCER,1,1,,,,,,,,,,,,,
3,1,,22217-080000,, "SPRING WASHER 8",4,4,,,,,,,,,,,,,
4,1,,26013-100252,, "BOLT W/WASHER M10X25",2,2,,,,,,,,,,,,,
5,1,,26716-080002,, "NUT M 8",4,4,,,,,,,,,,,,,
6,1,,172446-11500,, "HOSE-A,AIR CLEANER",1,1,,,,,,,,,,,,,
7,1,,172446-11510,, "HOSE-B,AIR CLEANER",1,1,,,,,,,,,,,,,
8,1,,119325-12530,, "AIR CLEANER",1,1,,,,,,,,,,,,,
9,2,,105027-12550,, "BODY,AIR CLEANER",1,1,,,,,,,,,,,,,I
10,2,,119655-12560,, ELEMENT,1,1,,,,,,,,,,,,,
11,2,,119655-12570,, "COVER ASSY",1,1,,,,,,,,,,,,,
12,2,,119808-12540,, "VALVE, UNLOADER",1,1,,,,,,,,,,,,,
14,1,,23000-060000,, "CLAMP 60",3,3,,,,,,,,,,,,,
15,1,,26013-080162,, "BOLT W/WASHER M8X16",2,2,,,,,,,,,,,,,

Silverhorn.CO.UK

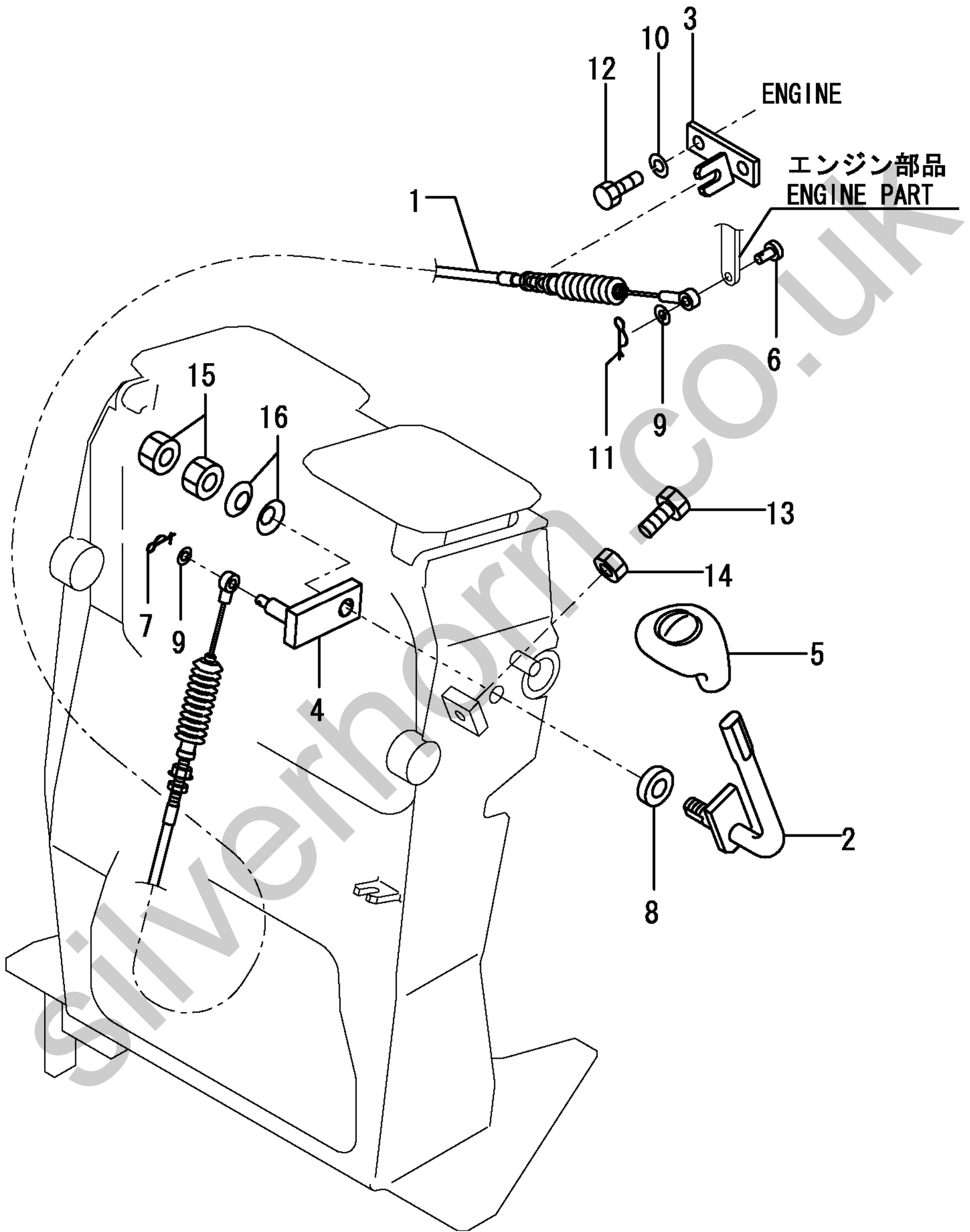
吸氣管
SUC. PIPE

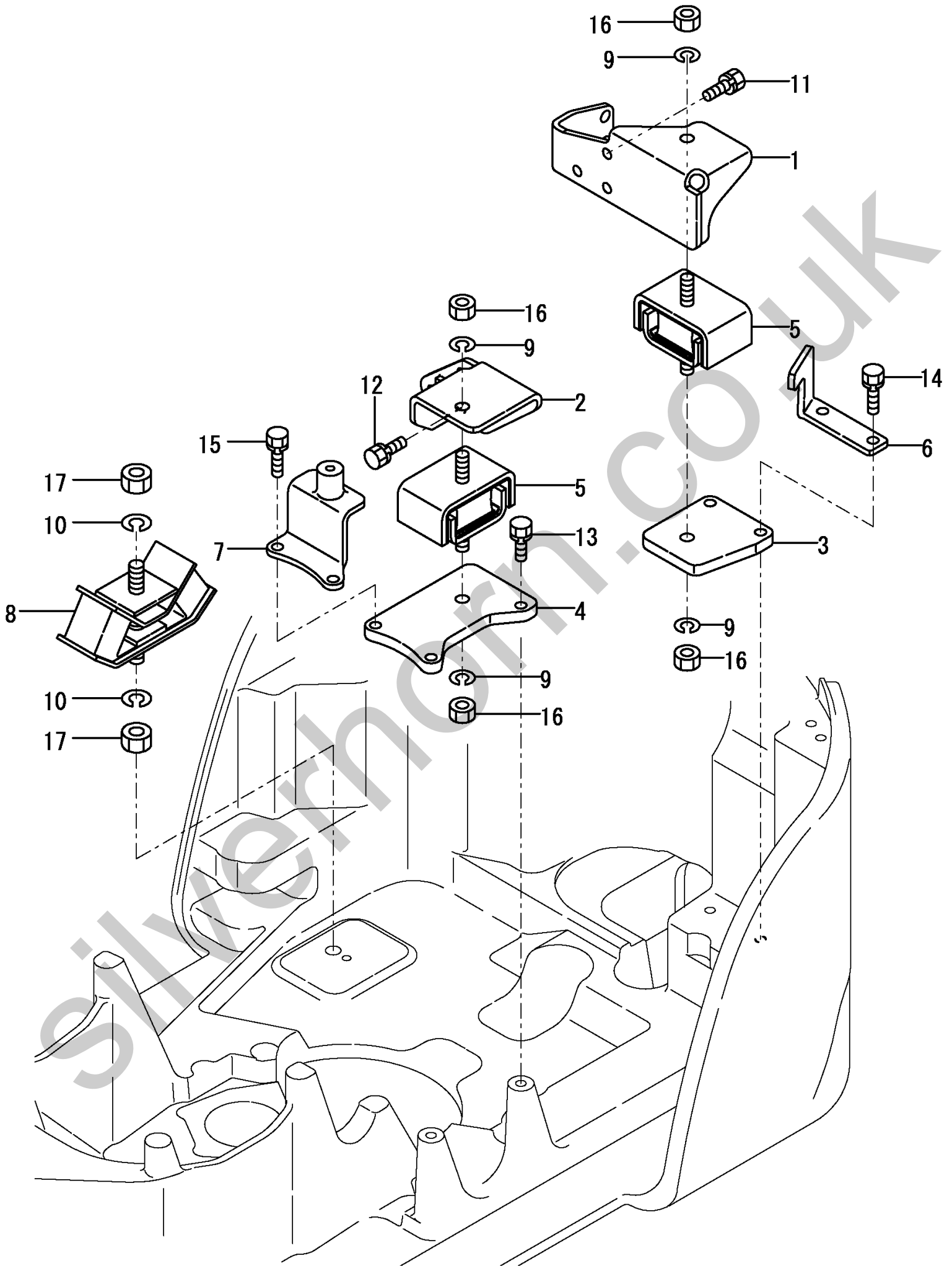


排氣管
EXH. PIPE

1,1,,172446-12200,, "CABLE, ACCEL",1,1,,,,,,,,,,,,,,,,,,,,,
2,1,,172446-12100,, "LEVER,ACCEL.(GRAY:72",1,1,,,,,,,,,,,,,,,,,,,,,
3,1,,172446-12150,, "PLATE ASSY, ACCEL.",1,1,,,,,,,,,,,,,,,,,,,,,
4,1,,172446-12130,, "ARM,ACCELERATOR",1,1,,,,,,,,,,,,,,,,,,,,,
5,1,,172146-12150,, "GRIP,ACCELERATOR",1,1,,,,,,,,,,,,,,,,,,,,,
6,1,,172113-12522,, PIN,1,1,,,,,,,,,,,,,,,,,,,,,
7,1,,1C6281-52310,, "PIN 6,COME-OFF SNAP",1,1,,,,,,,,,,,,,,,,,,,,,
8,1,,172156-61320,, COLLAR,1,1,,,,,,,,,,,,,,,,,,,,,
9,1,,22137-060000,, "WASHER 6, POLISHED",2,2,,,,,,,,,,,,,,,,,,,,,
10,1,,22217-080000,, "SPRING WASHER 8",2,2,,,,,,,,,,,,,,,,,,,,,
11,1,,22417-200160,, "COTTER PIN 2.0X16",1,1,,,,,,,,,,,,,,,,,,,,,
12,1,,26116-080202,, "BOLT M 8X 20 PLATED",2,2,,,,,,,,,,,,,,,,,,,,,
13,1,,26116-080254,, "BOLT M 8X 25 PLATED",1,1,,,,,,,,,,,,,,,,,,,,,
14,1,,26756-080002,, "LOCK NUT M 8 PLATED",1,1,,,,,,,,,,,,,,,,,,,,,
15,1,,26756-120002,, "LOCK NUT 12",2,2,,,,,,,,,,,,,,,,,,,,,
16,1,,933170-01490,, "SPRING 12",2,2,,,,,,,,,,,,,,,,,,,,,

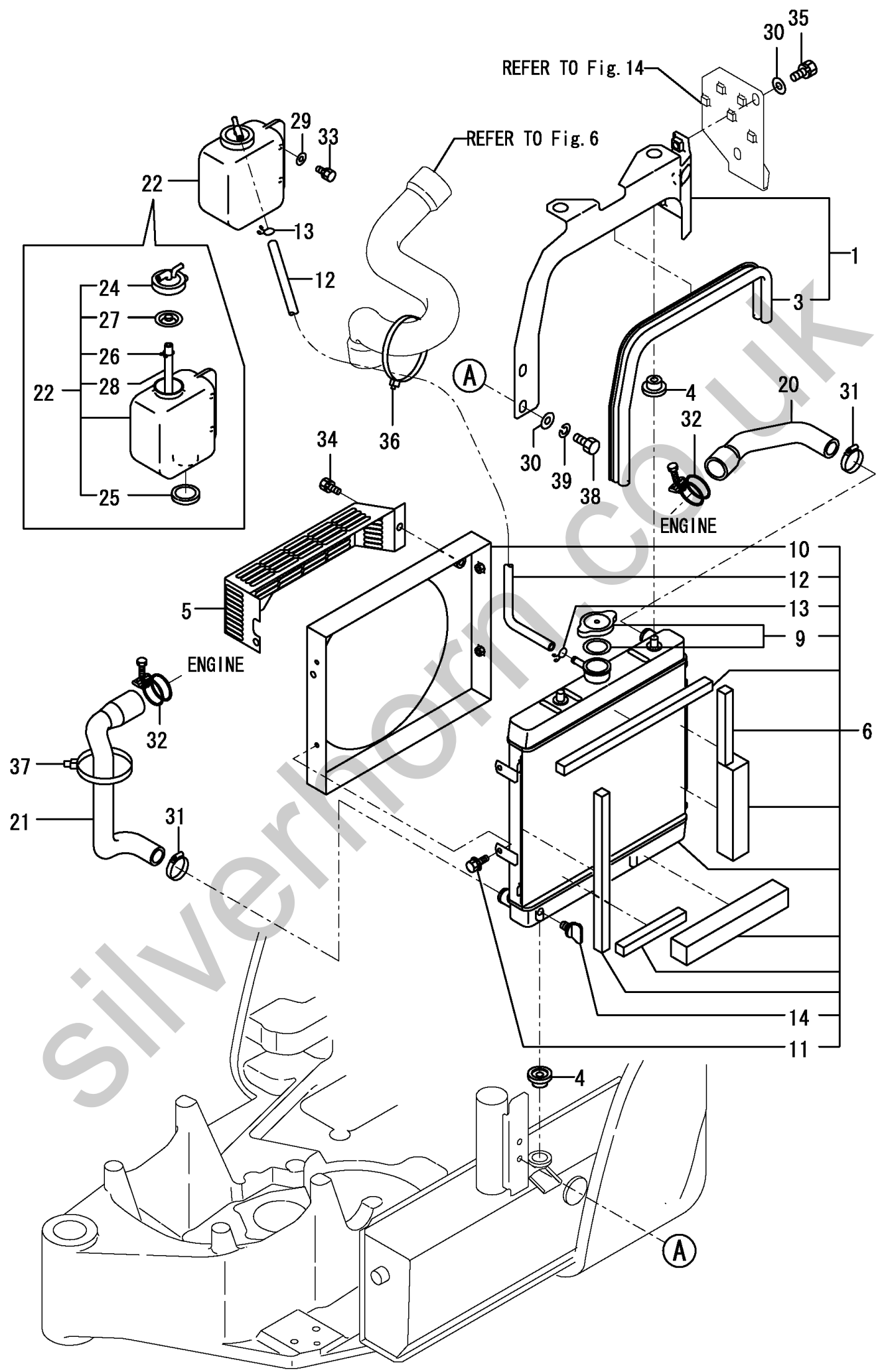
Silverhorn.CO.UK





1,1,,172446-13290,, "RADIATOR MOUNT",1,1,,,,,,,,,,,,,,,,,,,,,
3,2,,172446-13520,, "SEAL A",1,1,,,,,,,,,,,,,,,,,,,,,
4,1,,172446-13330,, "ABSOBER,SHOCK",4,4,,,,,,,,,,,,,,,,,,,,,
5,1,,172446-13350,, "FAN-GUARD (GRAY:72)",1,1,,,,,,,,,,,,,,,,,,,,,
6,1,,172446-13420,, RADIATOR,1,1,,,,,,,,,,,,,,,,,,,,,
9,3,,172446-13450,, CSP,1,1,,,,,,,,,,,,,,,,,,,,,
10,3,,172446-13460,, SHURAUD,1,1,,,,,,,,,,,,,,,,,,,,,
11,3,,172446-13470,, "BOLT ASSY",4,4,,,,,,,,,,,,,,,,,,,,,
12,3,,172446-13480,, "HOSE,RUBBER",1,1,,,,,,,,,,,,,,,,,,,,,
13,3,,172446-13490,, CLIP,2,2,,,,,,,,,,,,,,,,,,,,,
14,3,,172446-13500,, COCK,1,1,,,,,,,,,,,,,,,,,,,,,
20,1,,172447-13600,, "HOSE-A,RADIATOR",1,1,,,,,,,,,,,,,,,,,,,,,
21,1,,172447-13610,, "HOSE-B,RADIATOR",1,1,,,,,,,,,,,,,,,,,,,,,
22,1,,121468-44510,, "SUB-TANK ASSY",1,1,,,,,,,,,,,,,,,,,,,,,
24,2,,121450-44531,, CAP,1,1,,,,,,,,,,,,,,,,,,,,,
25,2,,121468-44540,, "PLUG, SUB-TANK",1,1,,,,,,,,,,,,,,,,,,,,,
26,2,,124450-44560,, CLAMP,1,1,,,,,,,,,,,,,,,,,,,,,
27,2,,121470-44581,, GASKET,1,1,,,,,,,,,,,,,,,,,,,,,
28,2,,23065-070130,, "PIPE 7X 130",1,1,,,,,,,,,,,,,,,,,,,,,
29,1,,22137-060000,, "WASHER 6, POLISHED",2,2,,,,,,,,,,,,,,,,,,,,,
30,1,,22137-100000,, "WASHER 10,POLISHED",4,4,,,,,,,,,,,,,,,,,,,,,
31,1,,23000-025000,, "CLAMP 25",2,2,,,,,,,,,,,,,,,,,,,,,
32,1,,23010-038000,, "CLAMP 38",2,2,,,,,,,,,,,,,,,,,,,,,
33,1,,26013-060122,, "BOLT M 6X 12",2,2,,,,,,,,,,,,,,,,,,,,,
34,1,,26013-080162,, "BOLT W/WASHER M8X16",2,2,,,,,,,,,,,,,,,,,,,,,
35,1,,26013-100202,, "BOLT W/WASHER M10X20",2,2,,,,,,,,,,,,,,,,,,,,,
36,1,,933152-09280,, "BAND 170",1,1,,,,,,,,,,,,,,,,,,,,,
37,1,,933168-55770,, "BAND 146",1,1,,,,,,,,,,,,,,,,,,,,,
38,1,,172455-61720,, "BOLT M 10X20",2,2,,,,,,,,,,,,,,,,,,,,,
39,1,,22217-100000,, "SPRING WASHER 10",2,2,,,,,,,,,,,,,,,,,,,,,

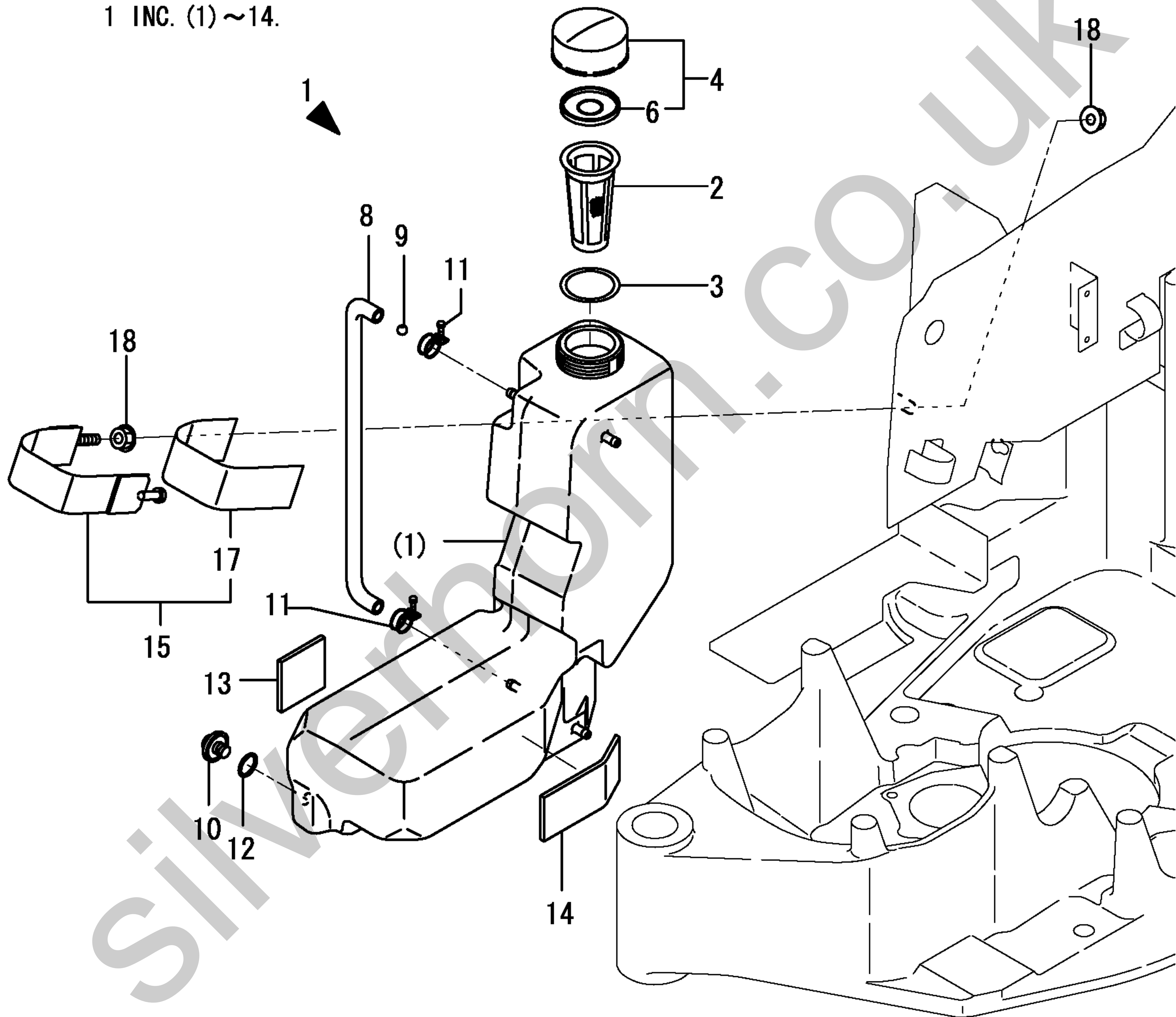




1,1,,172446-14100,, "TANK ASSY,FUEL OIL",1,1,,,,,,,,,,,,,
2,2,,194151-04141,, "STRAINER, FUEL",1,1,,,,,,,,,,,,,
3,2,,194151-04150,, GASKET,1,1,,,,,,,,,,,,,
4,2,,194250-04301,, "CAP, TANK",1,1,,,,,,,,,,,,,
6,3,,194250-04321,, "VALVE, VENT",1,1,,,,,,,,,,,,,
8,2,,172446-14150,, HOSE,1,1,,,,,,,,,,,,,
9,2,,172447-14160,, FLOAT,1,1,,,,,,,,,,,,,
10,2,,172447-14300,, "PLUG M12,DRAIN",1,1,,,,,,,,,,,,,
11,2,,23010-014000,, "CLAMP 14",2,2,,,,,,,,,,,,,
12,2,,24311-350220,, "O-RING 1A P-22A",1,1,,,,,,,,,,,,,
13,2,,172446-14250,, "RUBBER PLATE",1,1,,,,,,,,,,,,,
14,2,,172446-14260,, "RUBBER PLATE",1,1,,,,,,,,,,,,,
15,1,,172446-14200,, CLMP,1,1,,,,,,,,,,,,,
17,2,,172446-14240,, RUBBER,1,,,,,,M,,,,,,,,,,,,,I
17-1,2,,172447-14240,, "RUBBER,FUEL CLAMP",1,1,,,,,,,,,,,,,I
18,1,,26367-100002,, "NUT 10",2,2,,,,,,,,,,,,,

Silverhorn.CO.UK

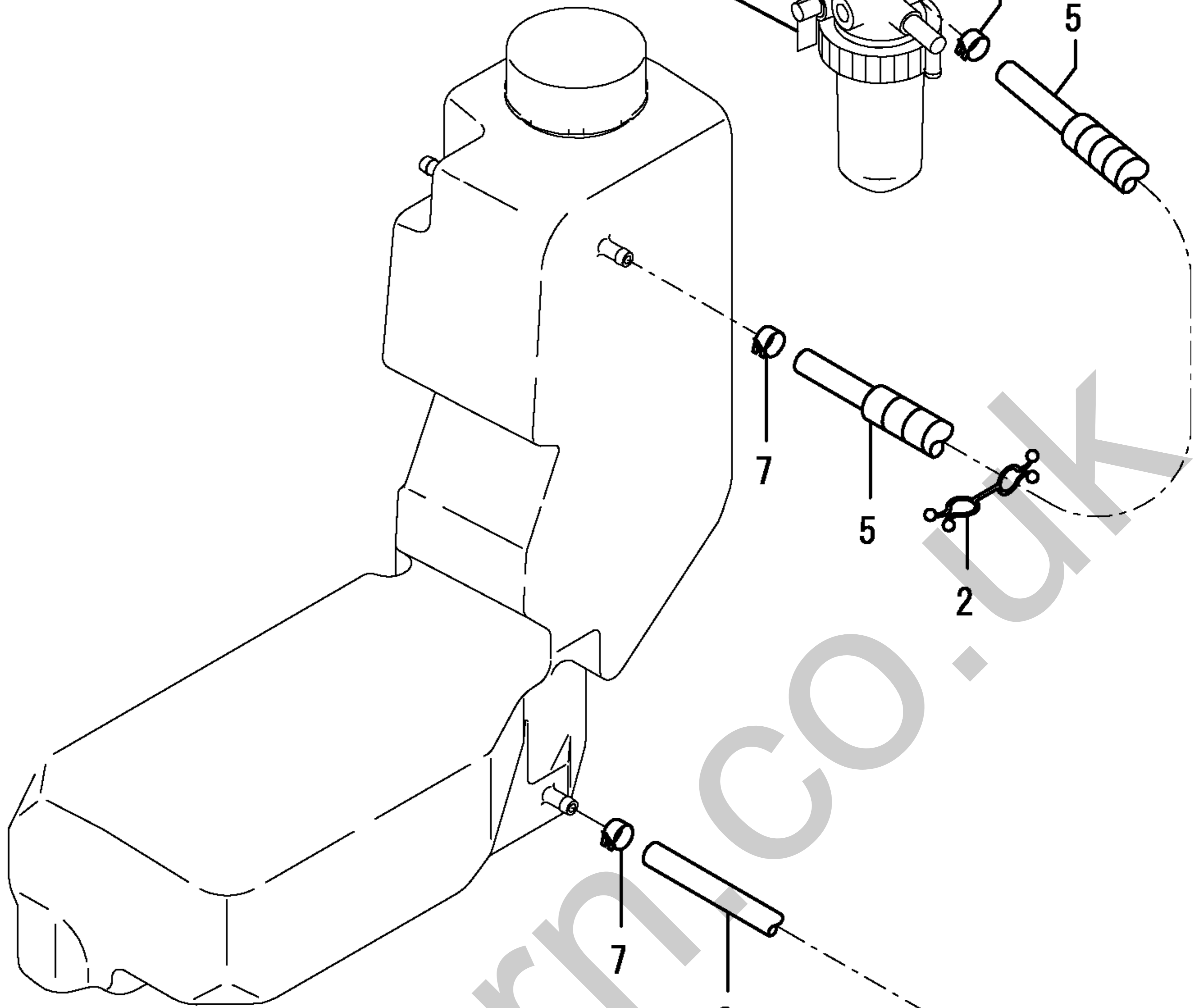
見出しNo. 1は
見出しNo. (1)~14を含みます。
1 INC. (1)~14.



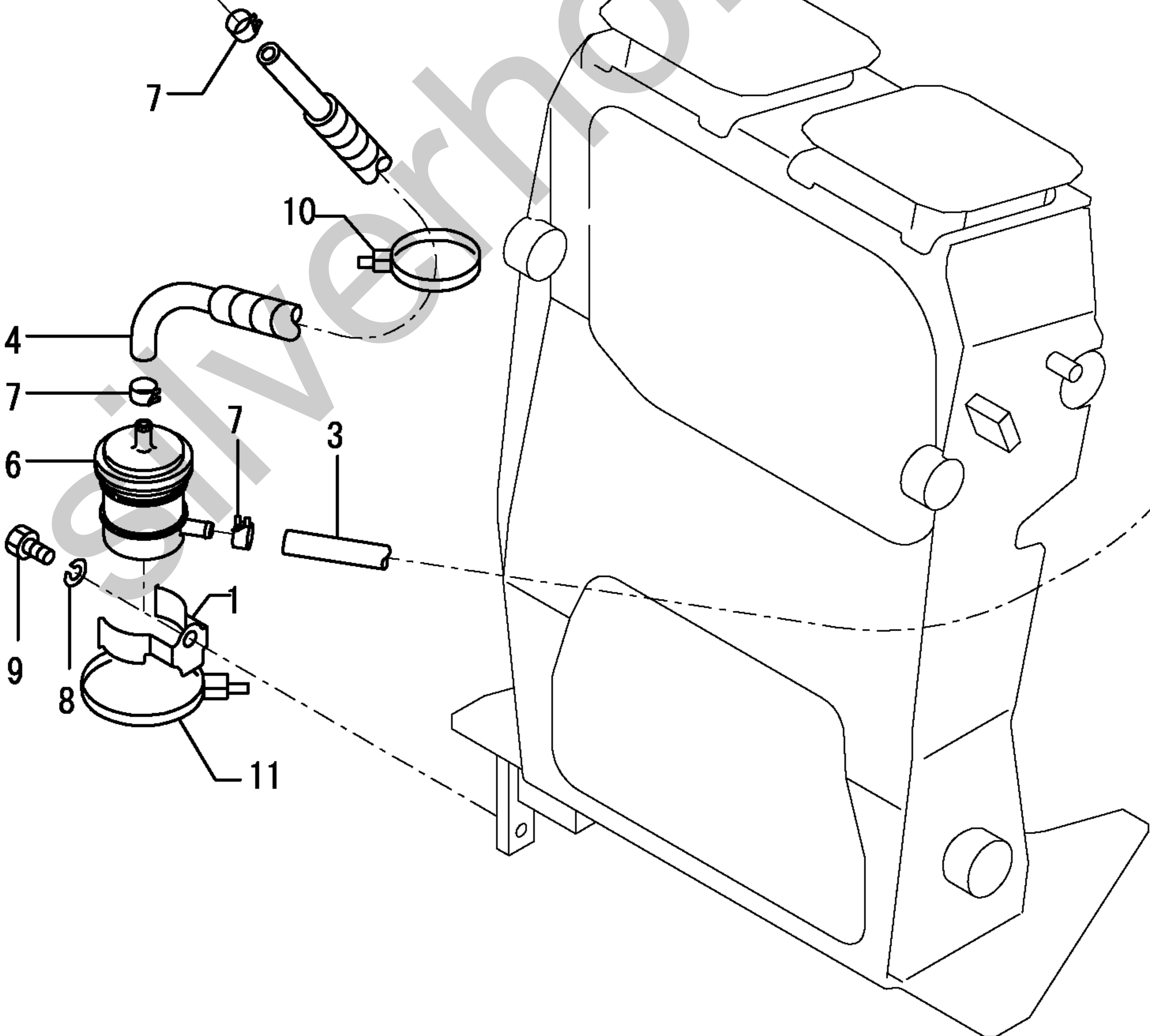
1,1,,198072-04320,,CLAMP,1,1,,,,,,,,,,,,,
2,1,,172171-14300,,W-CLAMP,2,2,,,,,,,,,,,,,
3,1,,172446-14160,, "HOSE, FUEL",1,1,,,,,,,,,,,,,
4,1,,172446-14160,, "HOSE, FUEL",1,1,,,,,,,,,,,,,
5,1,,172183-14640,,HOSE,1,1,,,,,,,,,,,,,
6,1,,129052-55630,, "STRAINER,FUEL OIL(IN",1,1,,,,,,,,,,,,,
7,1,,124766-59050,, "CLAMP 12",6,6,,,,,,,,,,,,,
8,1,,22217-080000,, "SPRING WASHER 8",1,1,,,,,,,,,,,,,
9,1,,26116-080122,, "BOLT M 8X 12 PLATED",1,1,,,,,,,,,,,,,
10,1,,1A1380-55310,, "CLAMP, WIRE",1,1,,,,,,,,,,,,,
11,1,,172112-79930,, "CLAMP 8",1,1,,,,,,,,,,,,,

Silverhorn.CO.UK

エンジン部品
ENGINE PART

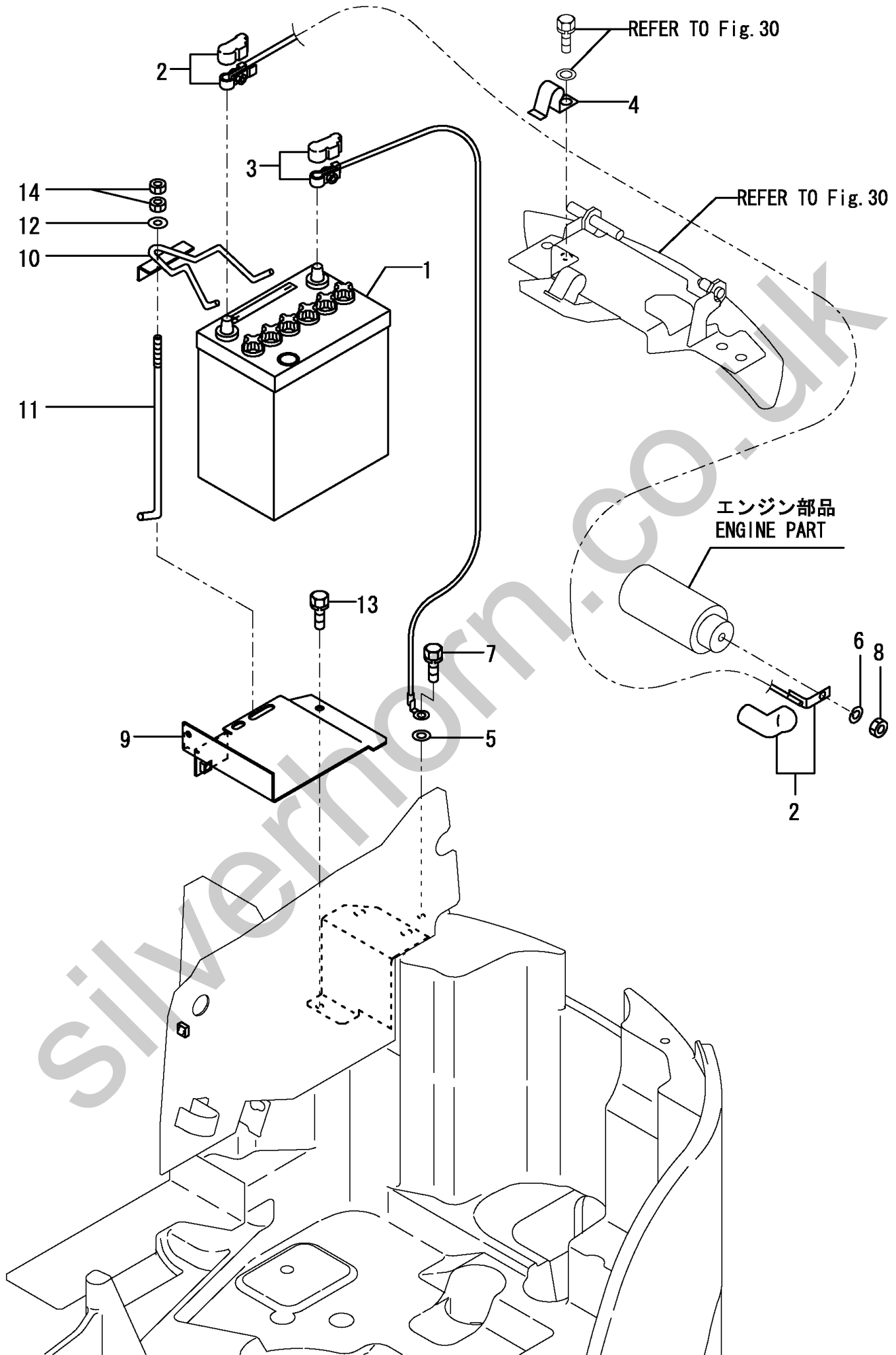


ENGINE



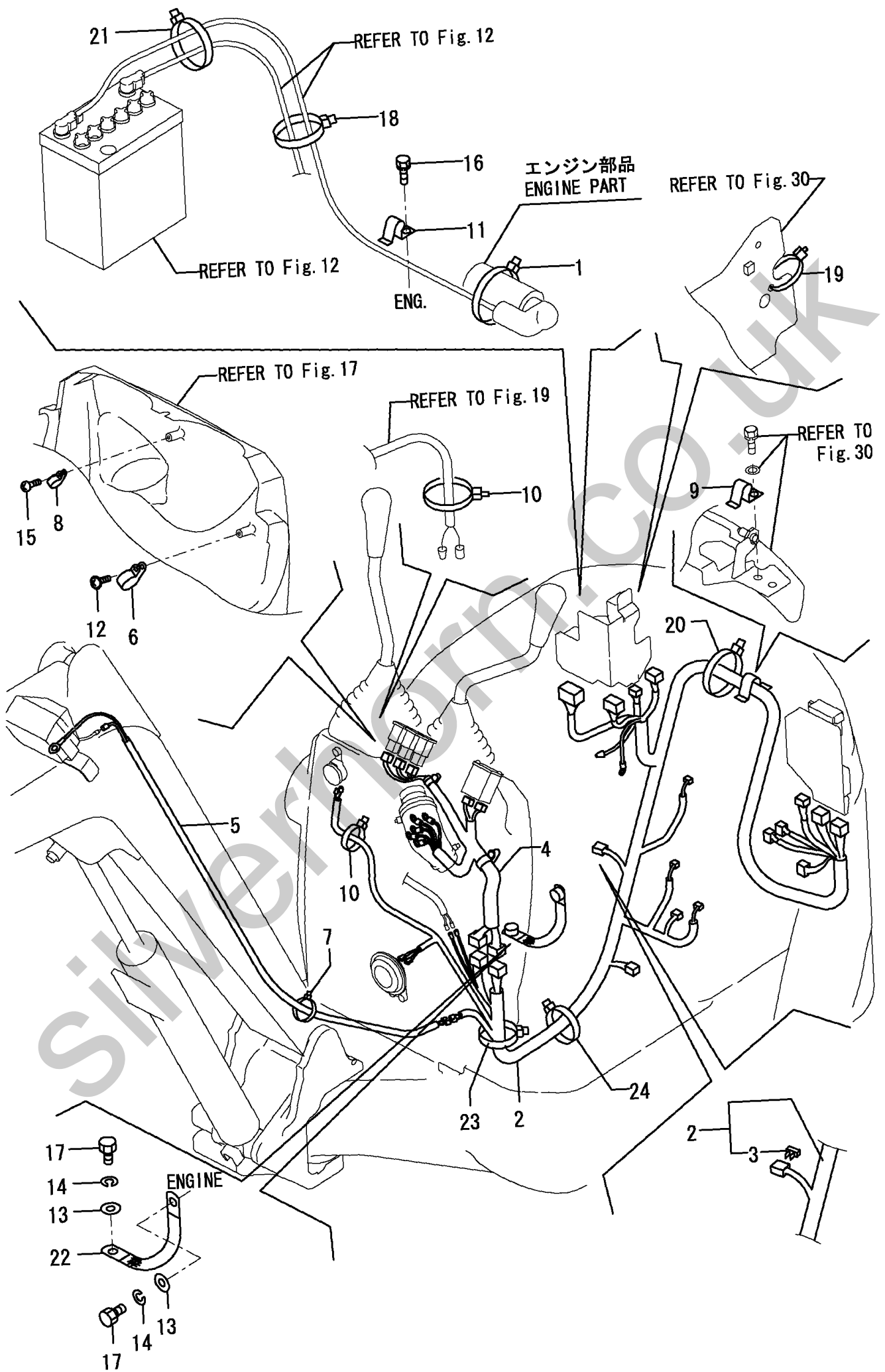
1,1,,172446-16100,,BATTERY,1,1,,,,,,,,,,,,,,,,,,,,,
2,1,,172446-16110,,,"CORD,BATTERY PLUS",1,1,,,,,,,,,,,,,,,,,,,,,
3,1,,172446-16120,,,"CORD,BATTERY",1,1,,,,,,,,,,,,,,,,,,,,,
4,1,,172112-16650,,CLAMP(B),1,1,,,,,,,,,,,,,,,,,,,,,
5,1,,22137-080000,,,"WASHER 8, POLISHED",1,1,,,,,,,,,,,,,,,,,,,,,
6,1,,22217-080000,,,"SPRING WASHER 8",1,1,,,,,,,,,,,,,,,,,,,,,
7,1,,26116-080162,,,"BOLT 8X16",1,1,,,,,,,,,,,,,,,,,,,,,
8,1,,26716-080002,,,"NUT M 8",1,1,,,,,,,,,,,,,,,,,,,,,
9,1,,172446-16300,,,"MOUNT,BATTERY",1,1,,,,,,,,,,,,,,,,,,,,,
10,1,,172446-16320,,,"CLAMP,BATTERY (72)",1,1,,,,,,,,,,,,,,,,,,,,,
11,1,,172164-16370,,ROD,1,1,,,,,,,,,,,,,,,,,,,,,
12,1,,22137-080000,,,"WASHER 8, POLISHED",1,1,,,,,,,,,,,,,,,,,,,,,
13,1,,26013-080162,,,"BOLT W/WASHER M8X16",2,2,,,,,,,,,,,,,,,,,,,,,
14,1,,26716-080002,,,"NUT M 8",2,2,,,,,,,,,,,,,,,,,,,,,

Silverhorn.CO.UK

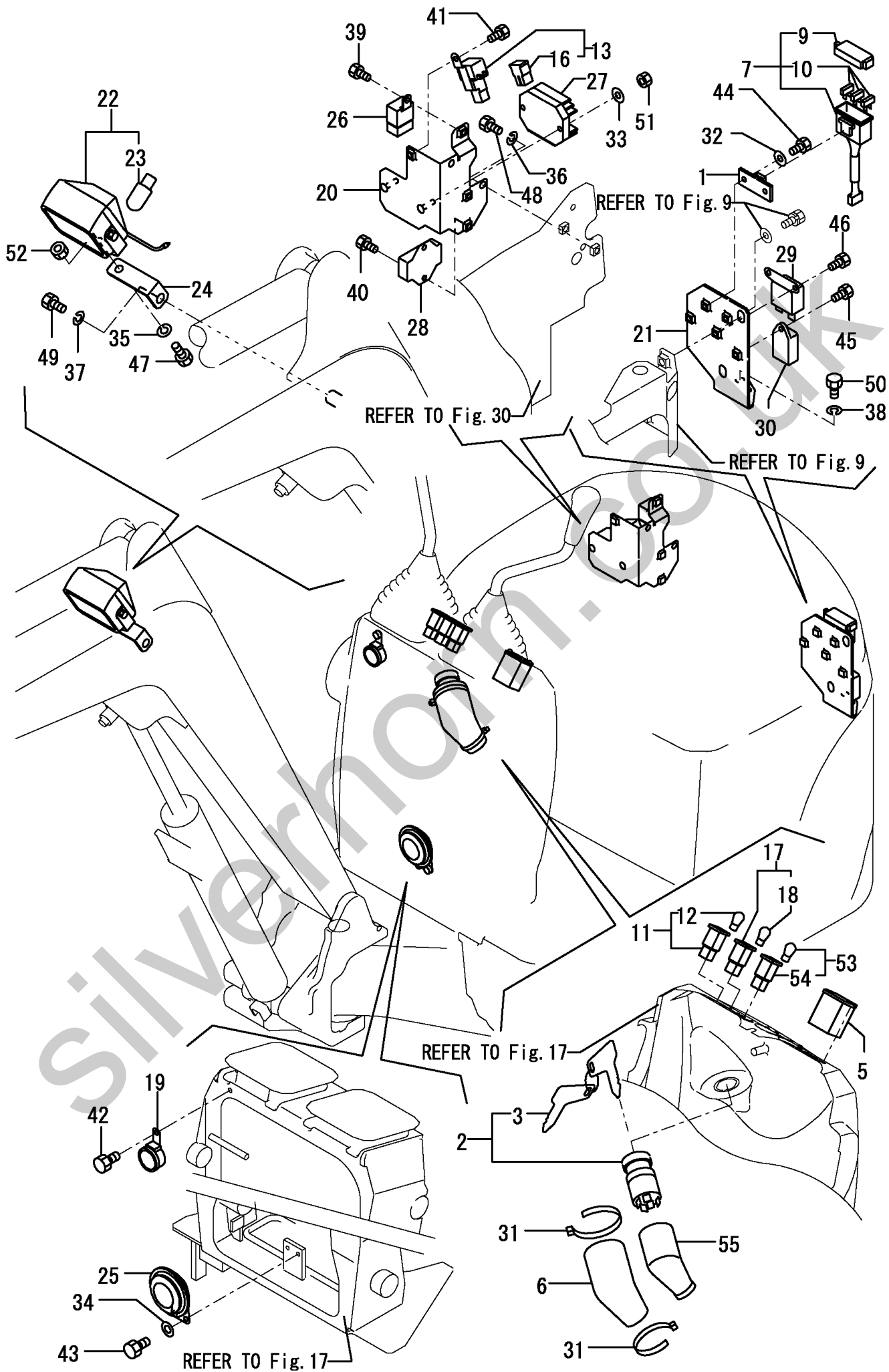


1,1,,194250-51660,, "BAND 250",1,,,,,,,,,,,,,,,,,,,,,
1-1,1,,172122-79930,, "CLAMP B",1,1,,,,,R,,72445340,*2001.11,,,,,,,,,,,,,I
2,1,,172446-16500,, "WIRE,HARNESS(A)",1,1,,,,,,,,,,,,,,,,,,,,,
3,2,,172648-16600,, DIODE,1,1,,,,,,,,,,,,,,,,,,,,,
4,1,,172446-16510,, "HARNESS,STAND",1,1,,,,,,,,,,,,,,,,,,,,,
5,1,,172186-16541,, "HARNESS, WORK LAMP",1,1,,,,,,,,,,,,,,,,,,,,,
6,1,,172446-16550,, CLAMP,1,1,,,,,,,,,,,,,,,,,,,,,
7,1,,172137-16560,, BAND,1,1,,,,,,,,,,,,,,,,,,,,,
8,1,,172446-16560,, CLAMP,1,1,,,,,,,,,,,,,,,,,,,,,
9,1,,172112-16650,, CLAMP(B),1,1,,,,,,,,,,,,,,,,,,,,,
10,1,,1A1380-55310,, "CLAMP, WIRE",2,2,,,,,,,,,,,,,,,,,,,,,
11,1,,1A1380-59480,, "CLAMP A,SM.&DYN.CORD",1,1,,,,,,,,,,,,,,,,,,,,,
12,1,,194940-61790,, "SCRFW 5X16",1,1,,,,,,,,,,,,,,,,,,,,,
13,1,,22137-100000,, "WASHER 10,POLISHED",2,2,,,,,,,,,,,,,,,,,,,,,
14,1,,22217-100000,, "SPRING WASHER 10",2,2,,,,,,,,,,,,,,,,,,,,,
15,1,,22857-400120,, "SCREW 4X12",1,1,,,,,,,,,,,,,,,,,,,,,
16,1,,26013-100162,, "BOLT M10X 16",1,1,,,,,,,,,,,,,,,,,,,,,
17,1,,26116-100162,, "BOLT M10X 16 PLATED",2,2,,,,,,,,,,,,,,,,,,,,,
18,1,,172137-16560,, BAND,1,1,,,,,,,,,,,,,,,,,,,,,
19,1,,1A1380-55310,, "CLAMP, WIRE",1,1,,,,,,,,,,,,,,,,,,,,,
20,1,,1A1380-55310,, "CLAMP, WIRE",1,1,,,,,,,,,,,,,,,,,,,,,
21,1,,1A1380-55310,, "CLAMP, WIRE",1,1,,,,,,,,,,,,,,,,,,,,,
22,1,,933171-15801,, "WIRE, EARTH",1,1,,,,,,,,,,,,,,,,,,,,,
23,1,,172122-79920,, CLAMP,1,1,,,,,,,,,,,,,,,,,,,,,
24,1,,172122-79920,, CLAMP,1,1,,,,,,,,,,,,,,,,,,,,,



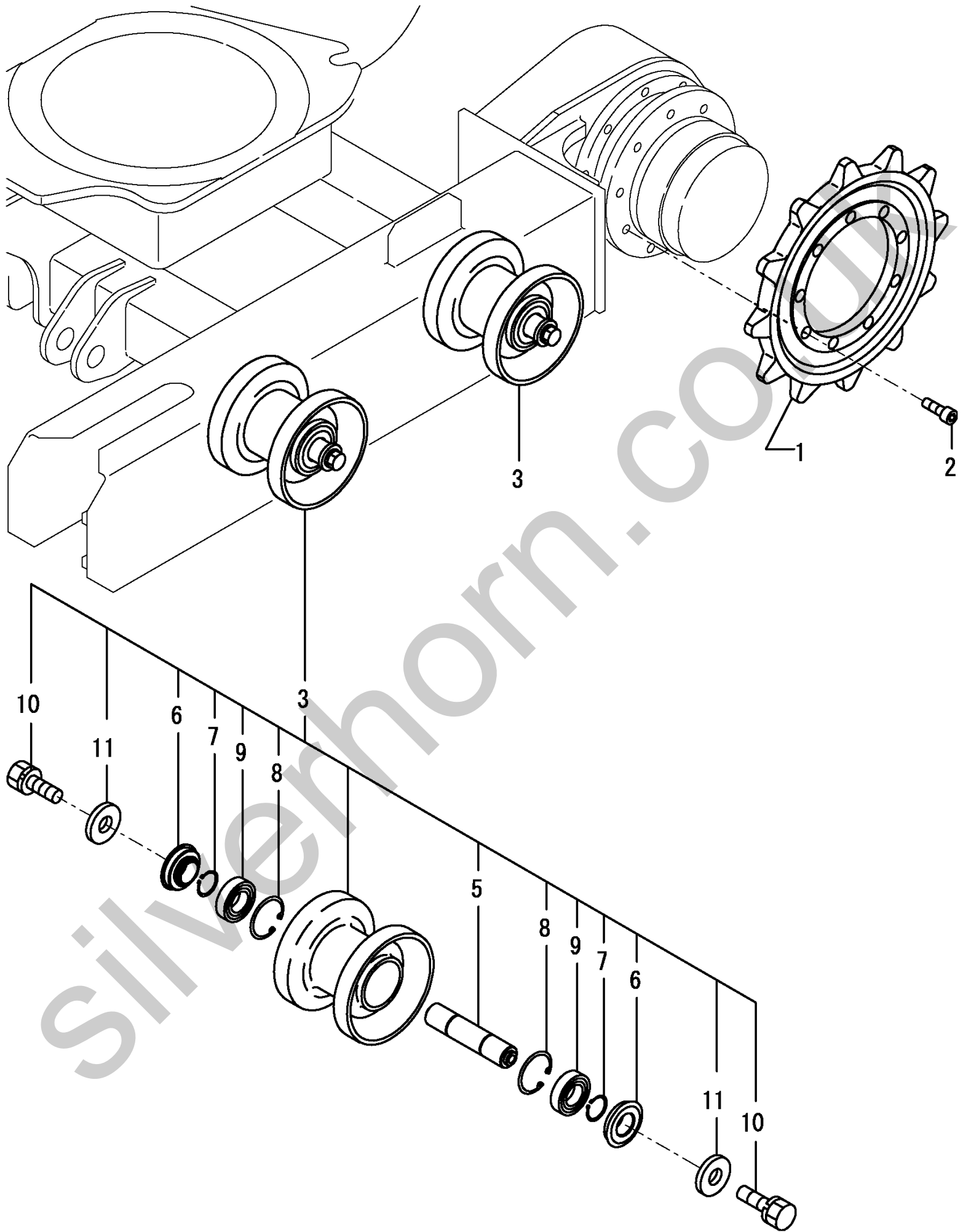


1,1,,172183-16550,, "BRACKET,FUSE",1,1,,,,,,,,,,,,,,,,,,,,,
2,1,,172524-17010,, "SWITCH ASSY, STARTER",1,1,,,,,,,,,,,,,,,,,,,,,
3,2,,172524-17330,, "KEY ASSY",1,1,,,,,,,,,,,,,,,,,,,,,
5,1,,172186-17100,, "METER, HOUR",1,1,,,,,,,,,,,,,,,,,,,,,
6,1,,172446-17110,, COVER,1,,,,,,,,,,,,,,,,,,,,,
6-1,1,,172446-17111,, COVER,1,1,,,,,N,72446097,M/#01123,,,,,,,,,,,,,I
7,1,,172447-17110,, "FUSE CMP,4P",1,1,,,,,,,,,,,,,,,,,,,,,
9,2,,172183-16590,, COVER,1,1,,,,,,,,,,,,,,,,,,,,,
10,2,,29420-100000,, HUSE,3,3,,,,,,,,,,,,,,,,,,,,,
11,1,,172149-17120,, LAMP,1,1,,,,,,,,,,,,,,,,,,,,,
12,2,,172149-17140,, BULB(12V-3.4W,1,1,,,,,,,,,,,,,,,,,,,,,
13,1,,172447-17120,, "FUSE 40A",1,1,,,,,,,,,,,,,,,,,,,,,
16,2,,172447-17150,, "FUSE 40A",1,1,,,,,,,,,,,,,,,,,,,,,
17,1,,172149-17130,, LAMP,1,1,,,,,,,,,,,,,,,,,,,,,
18,2,,172149-17140,, BULB(12V-3.4W,1,1,,,,,,,,,,,,,,,,,,,,,
19,1,,172141-17150,, BUZZER,1,1,,,,,,,,,,,,,,,,,,,,,
20,1,,172446-17150,, "BRACKET A,ELE",1,1,,,,,,,,,,,,,,,,,,,,,
21,1,,172446-17180,, "BRACKET B,ELE",1,1,,,,,,,,,,,,,,,,,,,,,
22,1,,172156-17401,, "LAMP, WORK",1,1,,,,,,,,,,,,,,,,,,,,,
23,2,,172156-17420,, "VALVE,12V27W",1,1,,,,,,,,,,,,,,,,,,,,,
24,1,,172186-17430-1,, "STAY,LAMP(YELLOW:87)",1,1,,,,,,,,,,,,,,,,,,,,,
25,1,,194151-57100,, HORN,1,1,,,,,,,,,,,,,,,,,,,,,
26,1,,119247-77100,, "RELAY, SAFETY",1,1,,,,,,,,,,,,,,,,,,,,,
27,1,,119230-77711,, "LIMITTER, CURRENT",1,1,,,,,,,,,,,,,,,,,,,,,
28,1,,129155-77810,, RESISTOR,1,1,,,,,,,,,,,,,,,,,,,,,
29,1,,119650-77910,, "RELAY, GROW",1,1,,,,,,,,,,,,,,,,,,,,,
30,1,,119632-77922,, TIMER,1,1,,,,,,,,,,,,,,,,,,,,,
31,1,,172122-79930,, "CLAMP B",2,2,,,,,,,,,,,,,,,,,,,,,
32,1,,22137-060000,, "WASHER 6, POLISHED",2,2,,,,,,,,,,,,,,,,,,,,,
33,1,,22137-060000,, "WASHER 6, POLISHED",2,2,,,,,,,,,,,,,,,,,,,,,
34,1,,22137-060000,, "WASHER 6, POLISHED",2,2,,,,,,,,,,,,,,,,,,,,,
35,1,,22217-080000,, "SPRING WASHER 8",1,1,,,,,,,,,,,,,,,,,,,,,
36,1,,22217-080000,, "SPRING WASHER 8",2,2,,,,,,,,,,,,,,,,,,,,,
37,1,,22217-100000,, "SPRING WASHER 10",1,1,,,,,,,,,,,,,,,,,,,,,
38,1,,22217-100000,, "SPRING WASHER 10",2,2,,,,,,,,,,,,,,,,,,,,,
39,1,,26018-060122,, "BOLT M 6X 12",1,1,,,,,,,,,,,,,,,,,,,,,
40,1,,26016-060122,, "BOLT M 6X 12",2,,,,,,,,,,,,,,,,,,,,,
40-1,1,,26013-060122,, "BOLT M 6X 12",2,2,,,,,R,,A6400023,M/#01302,,,,,,,,,,,,,I
41,1,,26016-060122,, "BOLT M 6X 12",2,,,,,,,,,,,,,,,,,,,,,
41-1,1,,26013-060122,, "BOLT M 6X 12",1,1,,,,,R,,A6400023,M/#01302,,,,,,,,,,,,,I
42,1,,26016-060122,, "BOLT M 6X 12",2,,,,,,,,,,,,,,,,,,,,,
42-1,1,,26013-060122,, "BOLT M 6X 12",2,,,,,R,,A6400023,M/#01302,,,,,,,,,,,,,I
43,1,,26016-060122,, "BOLT M 6X 12",2,2,,,,,,,,,,,,,,,,,,,,,
43-1,1,,26013-060122,, "BOLT M 6X 12",2,2,,,,,R,,A6400023,M/#01302,,,,,,,,,,,,,I
44,1,,26116-060162,, "BOLT 6X16",2,2,,,,,,,,,,,,,,,,,,,,,
45,1,,26018-060162,, "BOLT M6X16",1,,,,,,,,,,,,,,,,,,,,,
45-1,1,,26014-060162,, "BOLT M 6X 16",1,1,,,,,R,,A6400023,M/#01302,,,,,,,,,,,,,I
46,1,,26016-060122,, "BOLT M 6X 12",2,,,,,,,,,,,,,,,,,,,,,
46-1,1,,26013-060122,, "BOLT M 6X 12",2,2,,,,,R,,A6400023,M/#01302,,,,,,,,,,,,,I
47,1,,26116-080162,, "BOLT 8X16",1,1,,,,,,,,,,,,,,,,,,,,,
48,1,,26116-080162,, "BOLT 8X16",2,2,,,,,,,,,,,,,,,,,,,,,
49,1,,26116-100202,, "BOLT M10X 20 PLATED",1,1,,,,,,,,,,,,,,,,,,,,,
50,1,,26116-100202,, "BOLT M10X 20 PLATED",2,2,,,,,,,,,,,,,,,,,,,,,
51,1,,26051-060002,, "NUT M 6",2,2,,,,,,,,,,,,,,,,,,,,,
52,1,,26716-080002,, "NUT M 8",1,1,,,,,,,,,,,,,,,,,,,,,
53,1,,933113-05190,, "LAMP, OIL",1,1,,,,,,,,,,,,,,,,,,,,,
54,2,,933113-05180,, "BULB 12V 3W",1,1,,,,,,,,,,,,,,,,,,,,,
55,1,,933113-15900,, "COVER, SWITCH TERMI.",1,1,,,,,,,,,,,,,,,,,,,,,



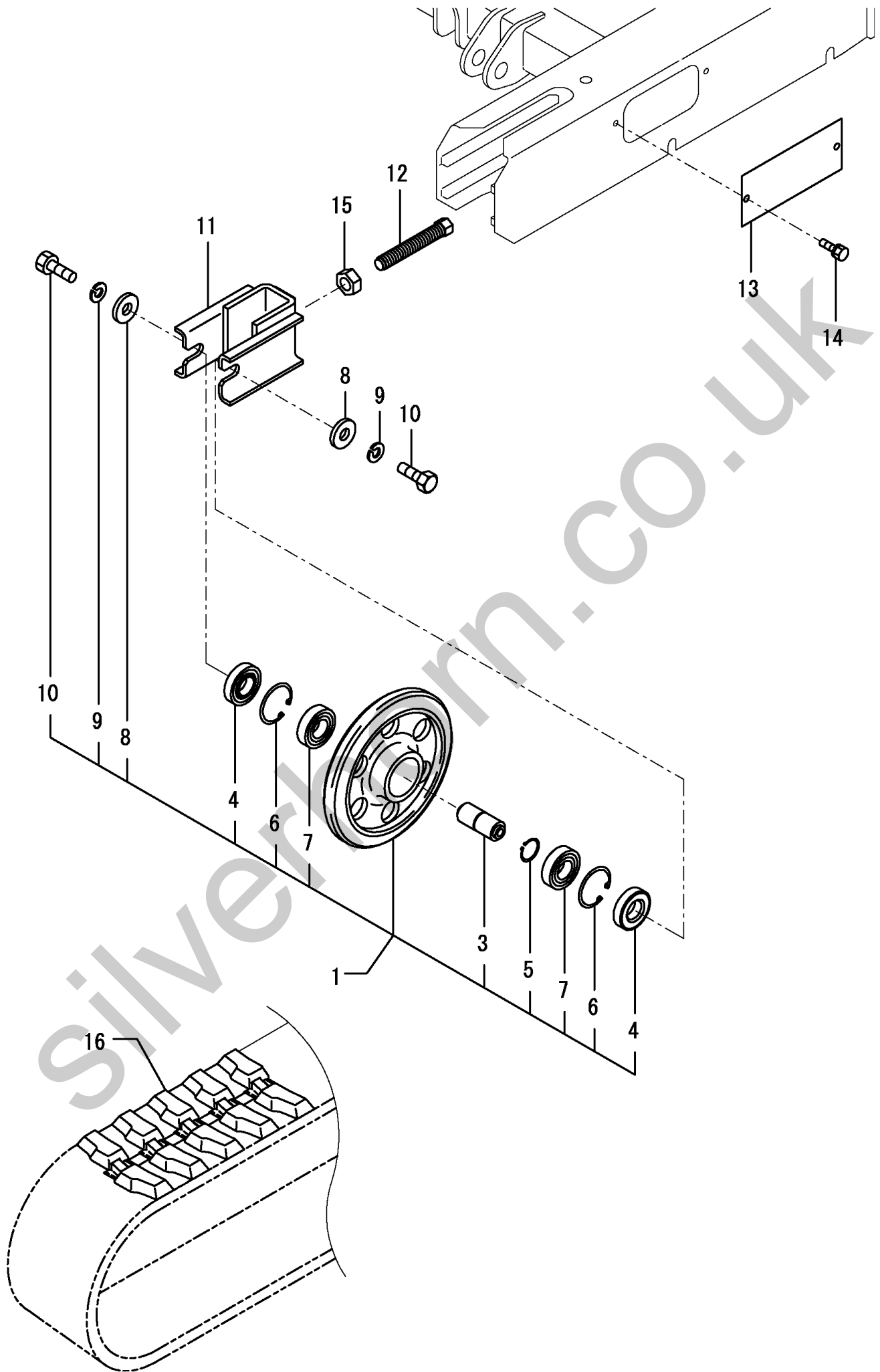
1,1,,172446-29100,,SPROCKET(GREEN:88),2,2,,,,,,,,,,,,,
2,1,,26450-100252,, "BOLT M10X 25",18,18,,,,,,,,,,,,,
3,1,,772446-37300,, "TRACK ROLLER(GREEN88",4,4,,,,,,,,,,,,,
5,2,,172155-37310,, "SHAFT, ROLLER",4,4,,,,,,,,,,,,,
6,2,,172137-37360,,SEAL,8,8,,,,,,,,,,,,,
7,2,,22242-000250,, "CIRCLIP 25S",8,8,,,,,,,,,,,,,
8,2,,22252-000470,, "CIRCLIP 47",8,8,,,,,,,,,,,,,
9,2,,24101-060054,, "BALL BEARING",8,8,,,,,,,,,,,,,
10,2,,26013-120252,, "BOLT M12X 25",8,8,,,,,,,,,,,,,
11,2,,933152-03700,, "WASHER, SIDE CLUTCH",8,8,,,,,,,,,,,,,

Silverhorn.CO.UK



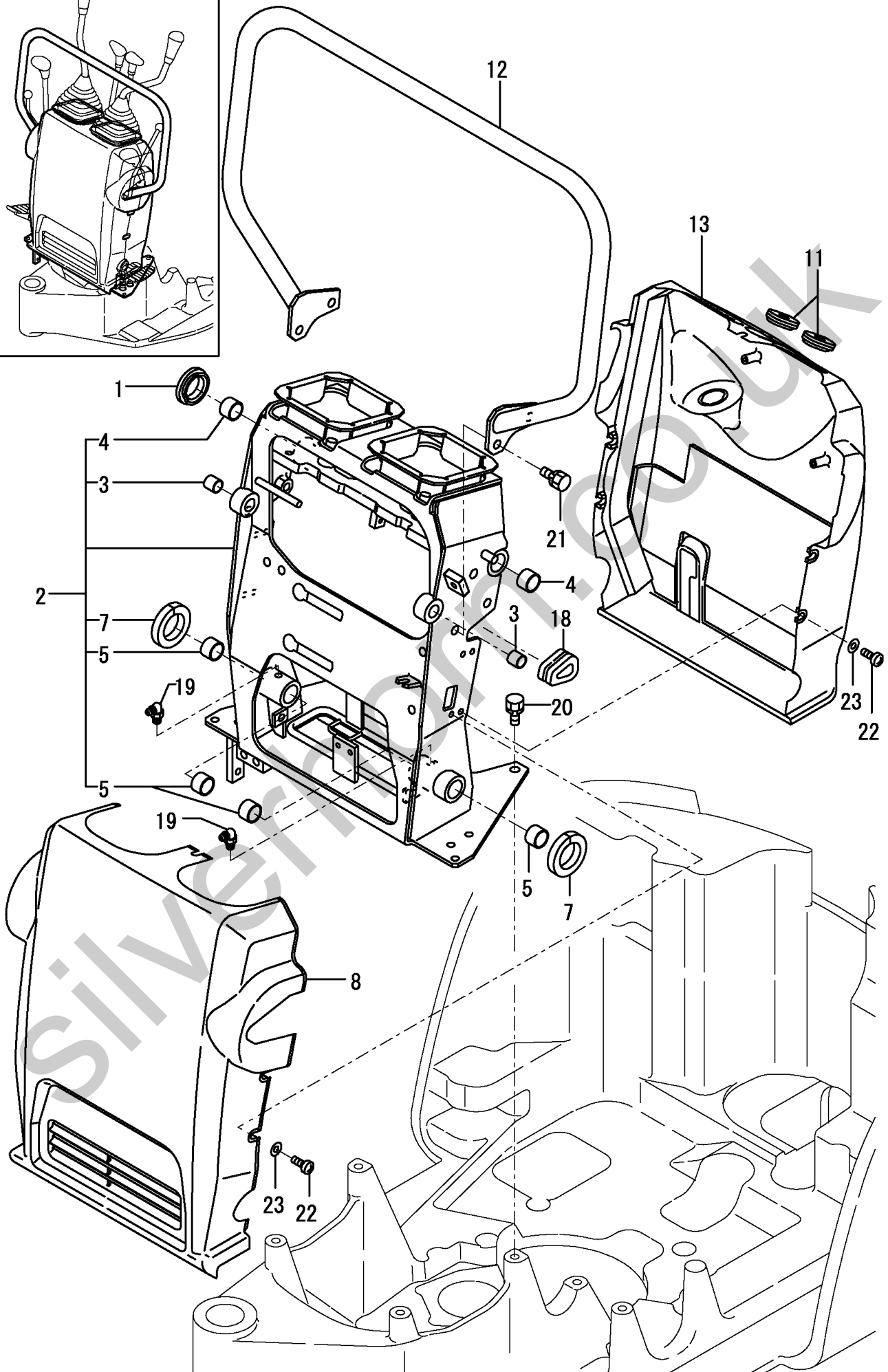
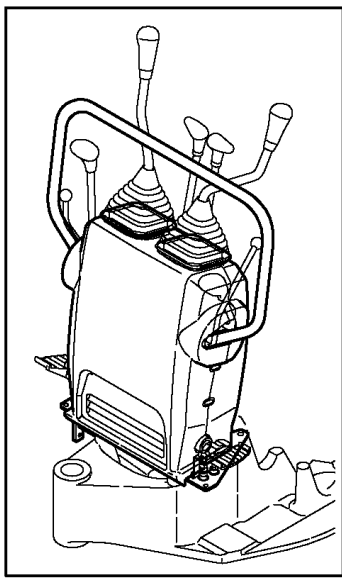
1,1,,772446-37100,, "IDLER,250 (GREEN:88)",2,2,,,,,,,,,,,,,,,,,
3,2,,172449-37110,, SHAFT,4,4,,,,,,,,,,,,,,,,,
4,2,,1A1060-48300,, "SEAL QLN306213.2,OIL",4,4,,,,,,,,,,,,,,,,,
5,2,,22242-000300,, "CIRCLIP 30",2,2,,,,,,,,,,,,,,,,,
6,2,,22252-000620,, "CIRCLIP 62(H)",4,4,,,,,,,,,,,,,,,,,
7,2,,24101-062064,, "BALL BEARING",4,4,,,,,,,,,,,,,,,,,
8,2,,933152-03700,, "WASHER, SIDE CLUTCH",4,4,,,,,,,,,,,,,,,,,
9,2,,22217-120000,, "SPRING WASHER",4,4,,,,,,,,,,,,,,,,,
10,2,,26116-120252,, "BOLT M12X 25 PLATED",4,4,,,,,,,,,,,,,,,,,
11,1,,172446-37110,, SLIDER,2,2,,,,,,,,,,,,,,,,,
12,1,,172446-37710,, "BOLT,ADJUST",2,2,,,,,,,,,,,,,,,,,
13,1,,172446-37720,, "COVER (GREEN:88)",2,2,,,,,,,,,,,,,,,,,
14,1,,26013-080162,, "BOLT W/WASHER M8X16",4,4,,,,,,,,,,,,,,,,,
15,1,,26716-200002,, "NUT M20",2,2,,,,,,,,,,,,,,,,,
16,1,,172446-38600,, "CRAWLER, RUBBER",2,2,,,,,,,,,,,,,,,,,

Silverhorn.CO.UK



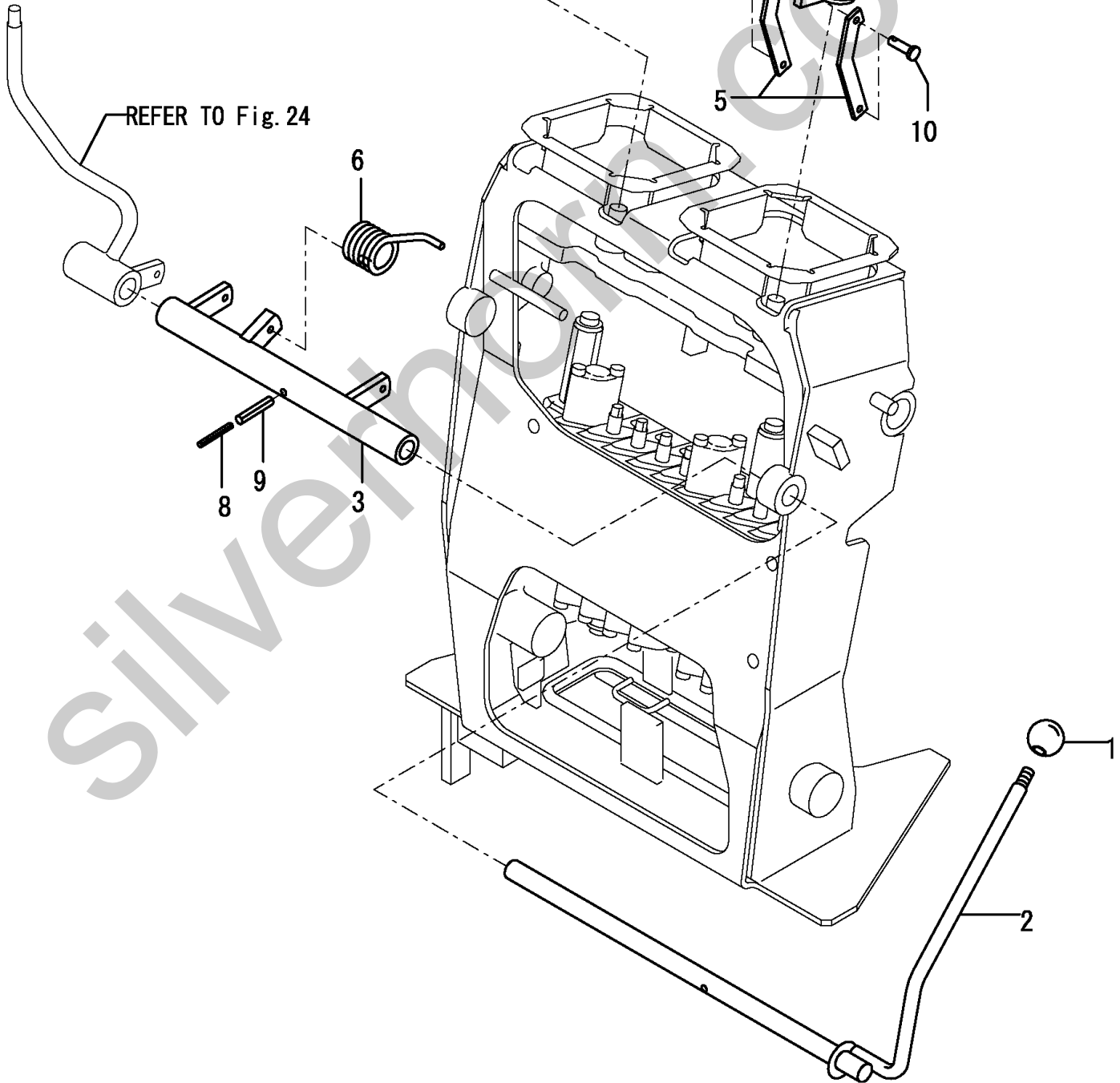
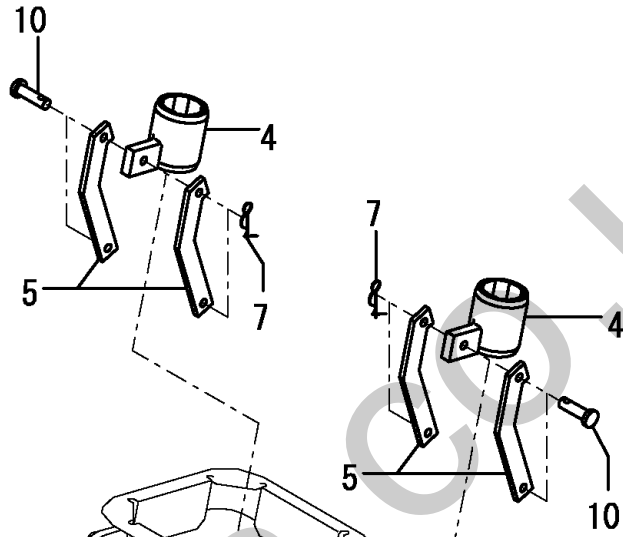
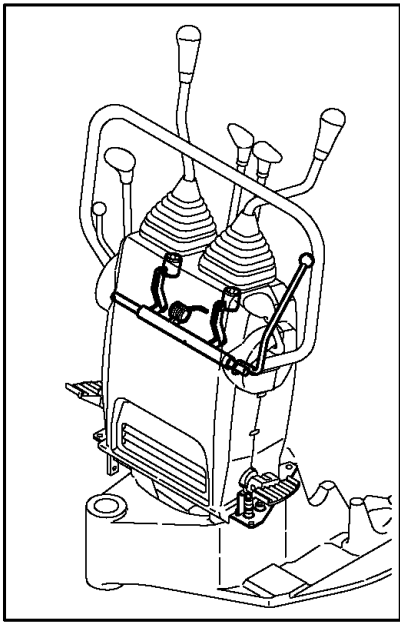
1,1,,1A6260-27270,, "GROMMET 35",1,1,,,,,,,,,,,,,,,,,,,,,
 2,1,,172446-45400,, "SUPPORT ASSY",1,1,,,,,,,,,,,,,,,,,,,,,
 3,2,,172141-41360,, "BUSH 1415",2,2,,,,,,,,,,,,,,,,,,,,,
 4,2,,172141-41370,, "BUSH 2015",2,2,,,,,,,,,,,,,,,,,,,,,
 5,2,,172141-41370,, "BUSH 2015",4,4,,,,,,,,,,,,,,,,,,,,,
 7,2,,172446-49280,, SEAL,2,2,,,,,,,,,,,,,,,,,,,,,
 8,1,,172446-49100,, "COVER F,STAND",1,1,,,,,,,,,,,,,,,,,,,,,
 11,1,,172446-49180,, GROMMET,2,2,,,,,,,,,,,,,,,,,,,,,
 12,1,,172446-49200,, "BAR (GRAY:72)",1,1,,,,,,,,,,,,,,,,,,,,,
 13,1,,172446-49250,, "COVER R,STAND",1,1,,,,,,,,,,,,,,,,,,,,,
 18,1,,172151-53430,, GROMMET,1,1,,,,,,,,,,,,,,,,,,,,,
 19,1,,24761-050000,, "NIPPLE C,GREASE",2,2,,,,,,,,,,,,,,,,,,,,,
 20,1,,26013-100202,, "BOLT W/WASHER M10X20",4,4,,,,,,,,,,,,,,,,,,,,,
 21,1,,26013-100202,, "BOLT W/WASHER M10X20",4,4,,,,,,,,,,,,,,,,,,,,,
 22,1,,26589-060162,, "SCREW M6,BINDING",10,10,,,,,,,,,,,,,,,,,,,,,
 23,1,,172446-49350,, "WASHER 6.3X15X1",10,10,,,,,W,,72446080,M/#00923,,,,,,I

Silverhorn.CO.UK



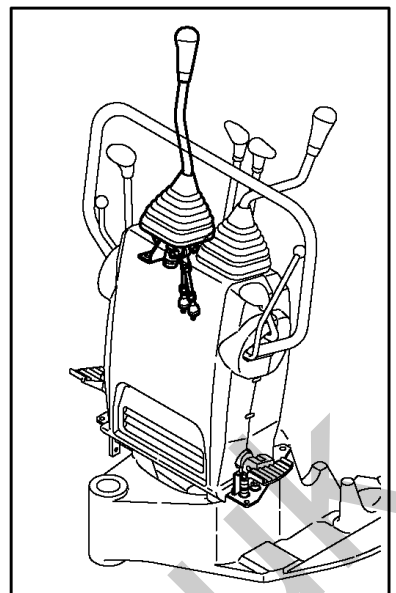
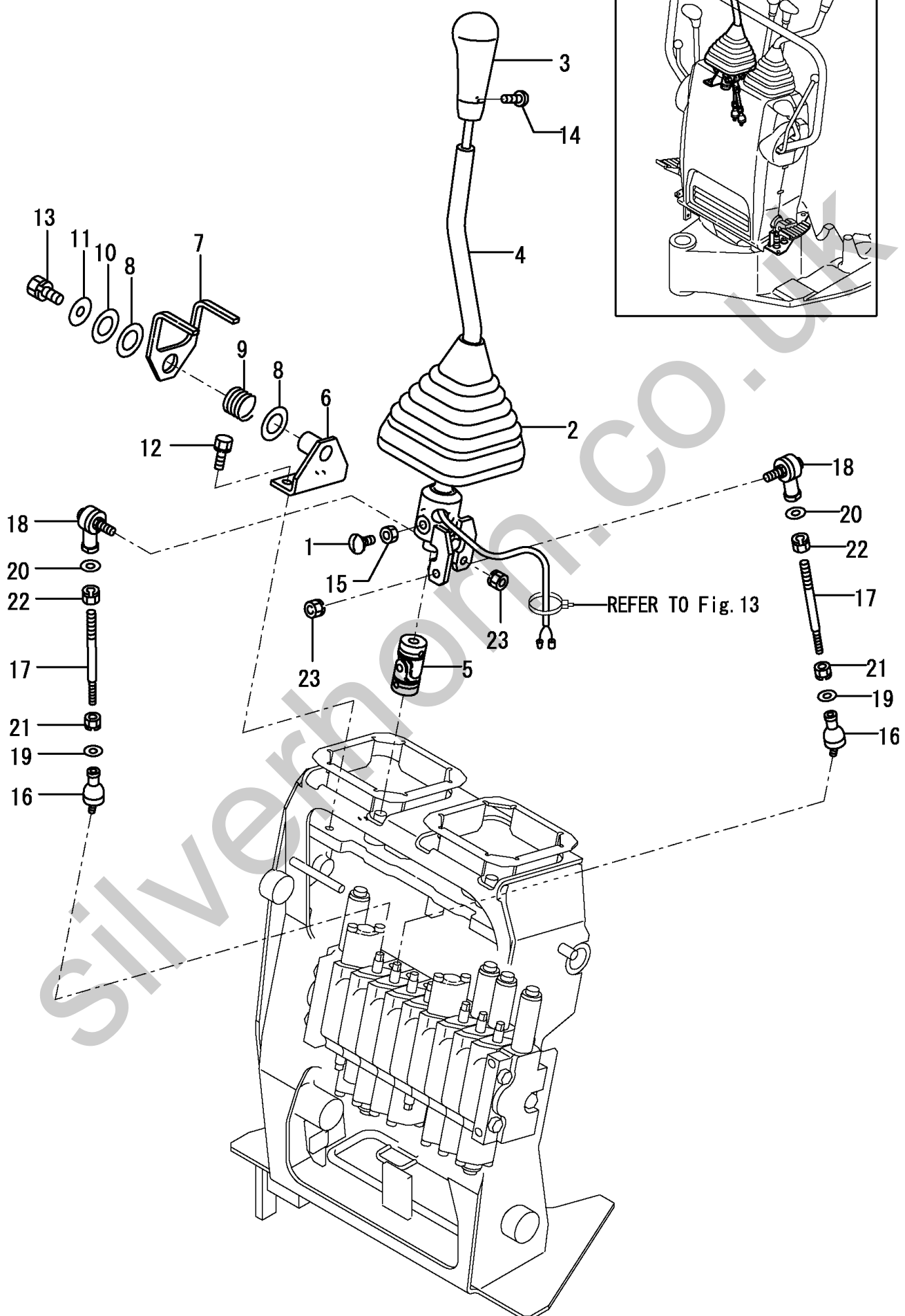
1,1,,172447-45230,, "KNOB,LOCK LEVER",1,1,,,,,,,,,,,,,
2,1,,172446-45250,, "LEBER,LOCK (RED:11)",1,1,,,,,,,,,,,,,
3,1,,172446-45290,, "LINK,LOCK",1,1,,,,,,,,,,,,,
4,1,,172446-45320,, "PIRE,LOCK",2,2,,,,,,,,,,,,,
5,1,,172446-45340,, "LINK,LOCK",4,4,,,,,,,,,,,,,
6,1,,172165-45970,, "SPRING",1,1,,,,,,,,,,,,,
7,1,,1C6281-52310,, "PIN 6,COME-OFF SNAP",4,4,,,,,,,,,,,,,
8,1,,22351-030025,, "SPRING PIN 3X25",1,1,,,,,,,,,,,,,
9,1,,22351-050025,, "SPRING PIN 5X25",1,1,,,,,,,,,,,,,
10,1,,933110-54100,, "PIN 4.75X14",4,4,,,,,,,,,,,,,

Silverhorn.CO.UK



1,1,,172141-42750,, "BOLT, STOPPER",4,4,,,,,,,,,,,,,,,,,,,,,
2,1,,172151-45010,, "BOOT P,LEVER",1,1,,,,,,,,,,,,,,,,,,,,,
3,1,,172165-45081,, "KNOB R COMPL.",1,1,,,,,,,,,,,,,,,,,,,,,
4,1,,172446-45170,, "LEBER R (GRAY:72)",1,1,,,,,,,,,,,,,,,,,,,,,
5,1,,172446-45800,, "JOINT NC-12",1,1,,,,,,,,,,,,,,,,,,,,,
6,1,,172446-45850,, BACE,1,1,,,,,,,,,,,,,,,,,,,,,
7,1,,172446-45890,, ARM,1,1,,,,,,,,,,,,,,,,,,,,,
8,1,,172446-45900,, "WASHER,THRUST",2,2,,,,,,,,,,,,,,,,,,,,,
9,1,,172183-46430,, SPRING,1,1,,,,,,,,,,,,,,,,,,,,,
10,1,,22137-200000,, "WASHER 20,POLISHED",1,1,,,,,,,,,,,,,,,,,,,,,
11,1,,22157-100000,, "WASHER 10",1,1,,,,,,,,,,,,,,,,,,,,,
12,1,,26013-080202,, "BOLT W/WASHER M8X20",2,2,,,,,,,,,,,,,,,,,,,,,
13,1,,26013-100202,, "BOLT W/WASHER M10X20",1,1,,,,,,,,,,,,,,,,,,,,,
14,1,,26587-040062,, "SCREW M 4X 6",1,1,,,,,,,,,,,,,,,,,,,,,
15,1,,26756-080002,, "LOCK NUT M 8 PLATED",4,4,,,,,,,,,,,,,,,,,,,,,
16,1,,172157-45630,, "BALL 6, LINK",2,2,,,,,,,,,,,,,,,,,,,,,
17,1,,172446-45750,, "ROD 110",2,2,,,,,,,,,,,,,,,,,,,,,
18,1,,172122-46590,, "ELBALL 8",2,2,,,,,,,,,,,,,,,,,,,,,
19,1,,22117-060000,, "WASHER 6",2,2,,,,,,,,,,,,,,,,,,,,,
20,1,,22117-080000,, "WASHER 8",2,2,,,,,,,,,,,,,,,,,,,,,
21,1,,26051-060002,, "NUT M 6",2,2,,,,,,,,,,,,,,,,,,,,,
22,1,,26051-080002,, "NUT M 8",2,2,,,,,,,,,,,,,,,,,,,,,
23,1,,26051-080002,, "NUT M 8",2,2,,,,,,,,,,,,,,,,,,,,,

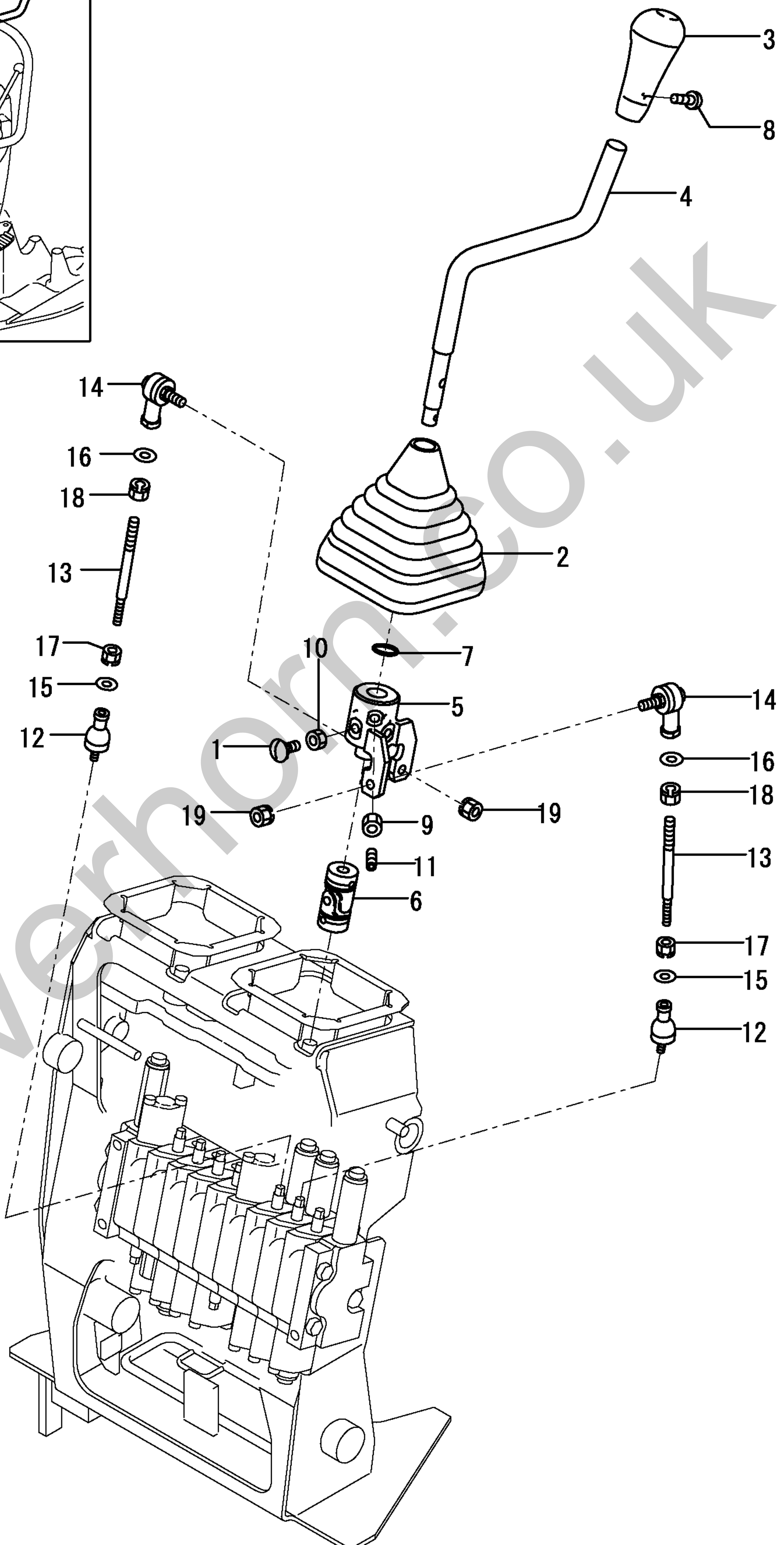
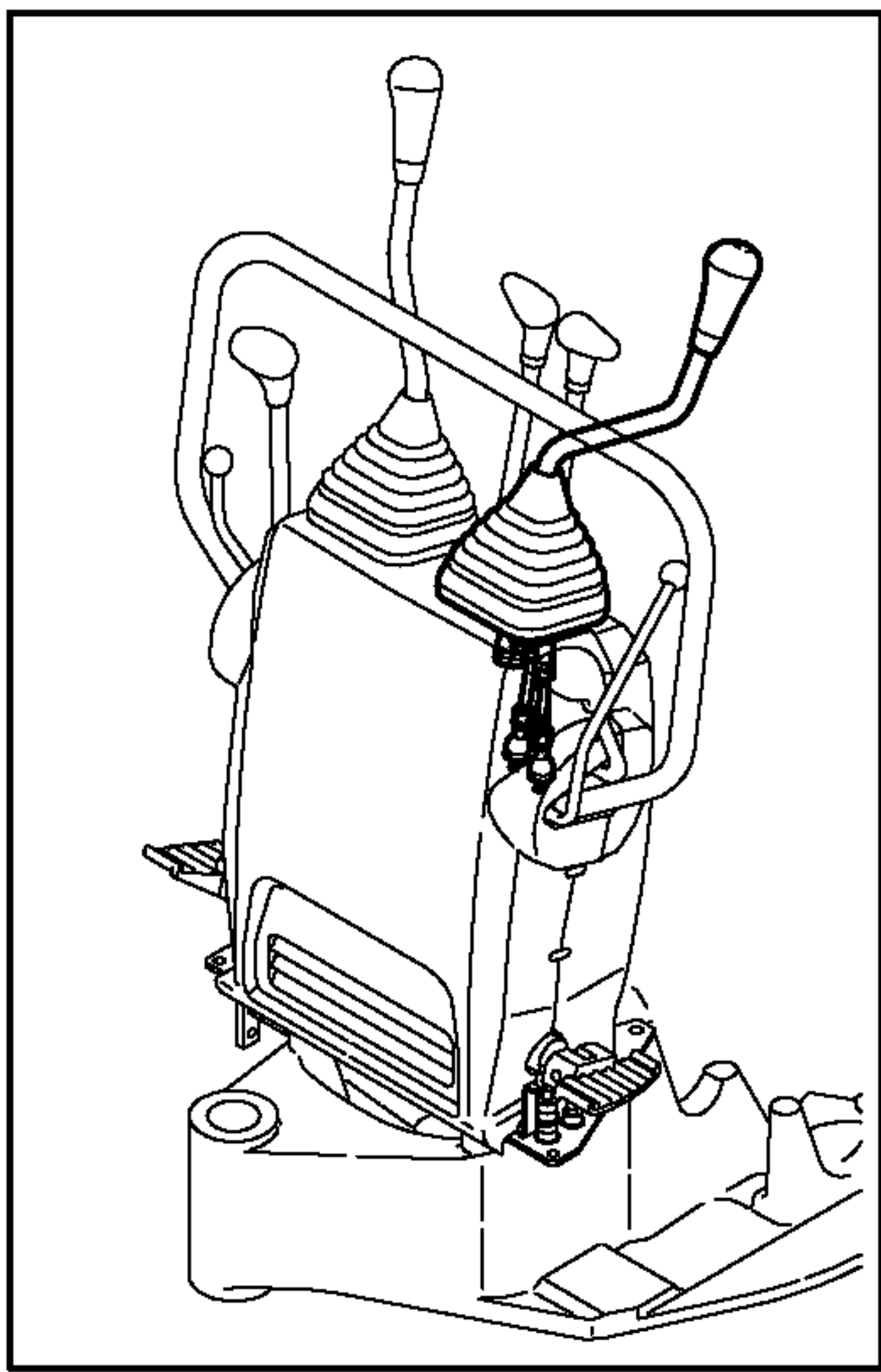
Silverhorn.CO.UK



REFER TO Fig. 13

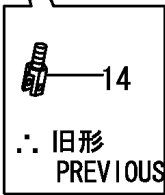
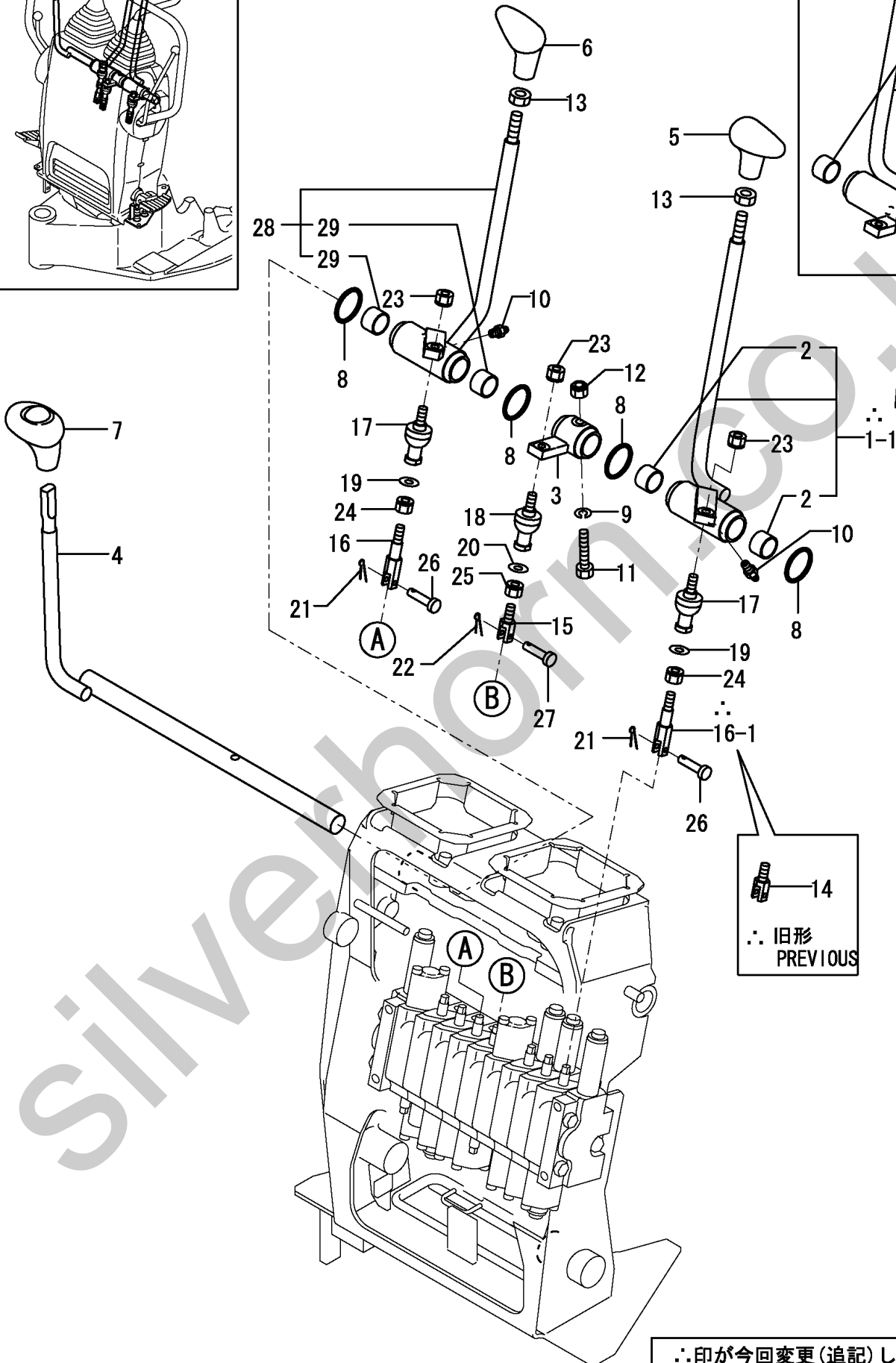
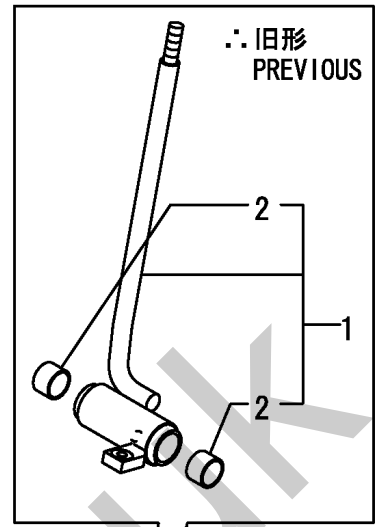
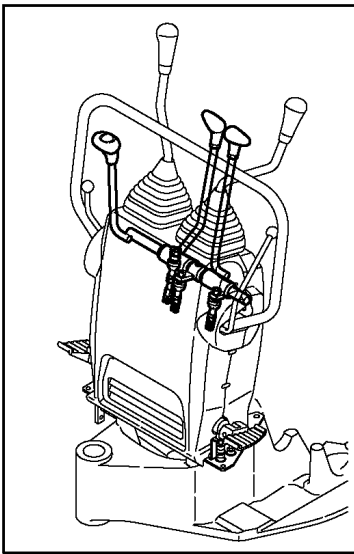
1,1,,172141-42750,, "BOLT, STOPPER",4,4,,,,,,,,,,,,,,,,,,,,,
2,1,,172151-45010,, "BOOT P,LEVER",1,1,,,,,,,,,,,,,,,,,,,,,
3,1,,172165-45071,, "KNOB (L) ASSY",1,1,,,,,,,,,,,,,,,,,,,,,
4,1,,172446-45110,, "LEBER L (GRAY:72)",1,1,,,,,,,,,,,,,,,,,,,,,
5,1,,172446-45140,, "LINK L",1,1,,,,,,,,,,,,,,,,,,,,,
6,1,,172446-45800,, "JOINT NC-12",1,1,,,,,,,,,,,,,,,,,,,,,
7,1,,24311-000140,, "O-RING 1A P-14.0",1,1,,,,,,,,,,,,,,,,,,,,,
8,1,,26587-040062,, "SCREW M 4X 6",1,1,,,,,,,,,,,,,,,,,,,,,
9,1,,26756-080002,, "LOCK NUT M 8 PLATED",1,1,,,,,,,,,,,,,,,,,,,,,
10,1,,26756-080002,, "LOCK NUT M 8 PLATED",4,4,,,,,,,,,,,,,,,,,,,,,
11,1,,26979-080252,, "SCREW 8* 25",1,1,,,,,,,,,,,,,,,,,,,,,
12,1,,172157-45630,, "BALL 6, LINK",2,2,,,,,,,,,,,,,,,,,,,,,
13,1,,172446-45750,, "ROD 110",2,2,,,,,,,,,,,,,,,,,,,,,
14,1,,172122-46590,, "ELBALL 8",2,2,,,,,,,,,,,,,,,,,,,,,
15,1,,22117-060000,, "WASHER 6",2,2,,,,,,,,,,,,,,,,,,,,,
16,1,,22117-080000,, "WASHER 8",2,2,,,,,,,,,,,,,,,,,,,,,
17,1,,26051-060002,, "NUT M 6",2,2,,,,,,,,,,,,,,,,,,,,,
18,1,,26051-080002,, "NUT M 8",2,2,,,,,,,,,,,,,,,,,,,,,
19,1,,26051-080002,, "NUT M 8",2,2,,,,,,,,,,,,,,,,,,,,,

Silverhorn.CO.UK



1,1,,172446-45010,, "LEBER L,TRACK(GRAY72",1,1,,,,,,,,,,,,,
1-1,1,,172446-45011,, "LEVER L, TRACK
(72)",1,1,,,,,F,,24460140,*2003.07,24460140,*2003.07,,,,,,,,,I
2,2,,172141-41370,, "BUSH 2015",2,2,,,,,,,,,,,,,
3,1,,172447-45100,, "LINK,BLADE CMP",1,1,,,,,,,,,,,,,
4,1,,172446-45210,, "LEBER,BLADE(GRAY:72)",1,1,,,,,,,,,,,,,
5,1,,172164-45951,, "GRIP L, DRIV.",1,1,,,,,,,,,,,,,
6,1,,172164-45961,, "GRIP R, DRIV.",1,1,,,,,,,,,,,,,
7,1,,172164-45970,, "GRIP, BLADE",1,1,,,,,,,,,,,,,
8,1,,172124-46200,, "O-RING 27X5.7",4,4,,,,,,,,,,,,,
9,1,,22217-080000,, "SPRING WASHER 8",1,1,,,,,,,,,,,,,
10,1,,24761-020000,, "NIPPLE PT1/8,GREASE",2,2,,,,,,,,,,,,,
11,1,,26116-080454,, "BOLT M 8X 45 PLATED",1,1,,,,,,,,,,,,,
12,1,,26346-080002,, "U-NUT M 8 PLATED",1,1,,,,,,,,,,,,,
13,1,,26756-100002,, "LOCK NUT M10 PLATED",2,2,,,,,,,,,,,,,
14,1,,172447-45120,, "ROD
C,SPOOL",1,1,,,,,Z,,24460140,*2003.07,24460140,*2003.07,,,,,,,,,I
15,1,,172447-45120,, "ROD C,SPOOL",1,1,,,,,,,,,,,,,
16,1,,172157-45650,, "ROD A, SPOOL",1,1,,,,,,,,,,,,,
16-1,1,,172157-45650,, "ROD A,
SPOOL",2,2,,,,,K,,24460140,*2003.07,24460140,*2003.07,,,,,,,,,I
17,1,,172122-47250,, "BALL 8, LINK",2,2,,,,,,,,,,,,,
18,1,,172122-47250,, "BALL 8, LINK",1,1,,,,,,,,,,,,,
19,1,,22117-080000,, "WASHER 8",2,2,,,,,,,,,,,,,
20,1,,22117-080000,, "WASHER 8",1,1,,,,,,,,,,,,,
21,1,,22417-160160,, "COTTER PIN 1.6X16",2,2,,,,,,,,,,,,,
22,1,,22417-160160,, "COTTER PIN 1.6X16",1,1,,,,,,,,,,,,,
23,1,,26051-080002,, "NUT M 8",3,3,,,,,,,,,,,,,
24,1,,26051-080002,, "NUT M 8",2,2,,,,,,,,,,,,,
25,1,,26051-080002,, "NUT M 8",1,1,,,,,,,,,,,,,
26,1,,933110-54100,, "PIN 4.75X14",2,2,,,,,,,,,,,,,
27,1,,933110-54100,, "PIN 4.75X14",1,1,,,,,,,,,,,,,
28,1,,172446-45060,, "LEBER R,TRACK(GRAY72",1,1,,,,,,,,,,,,,
29,2,,172141-41370,, "BUSH 2015",2,2,,,,,,,,,,,,,

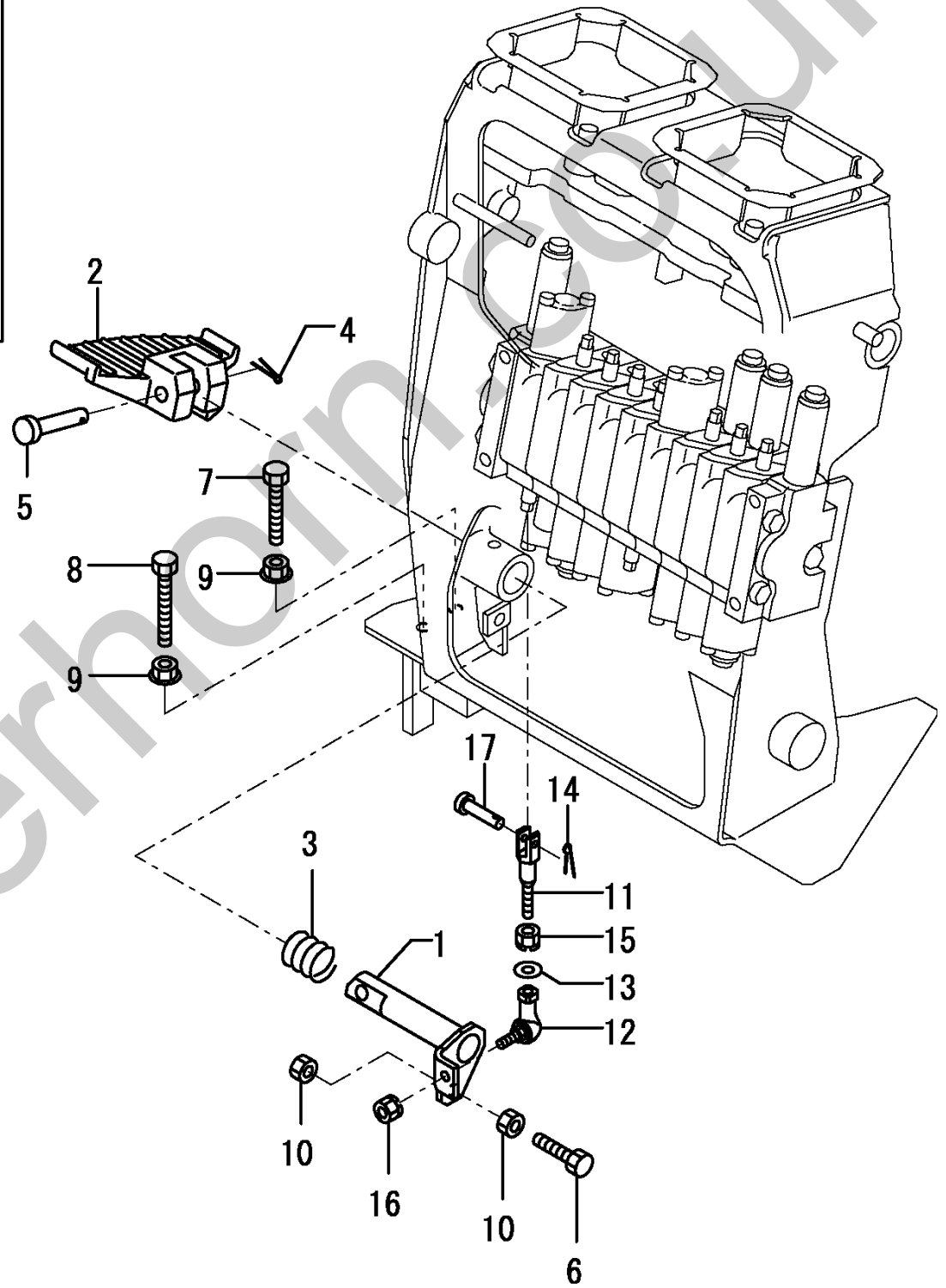
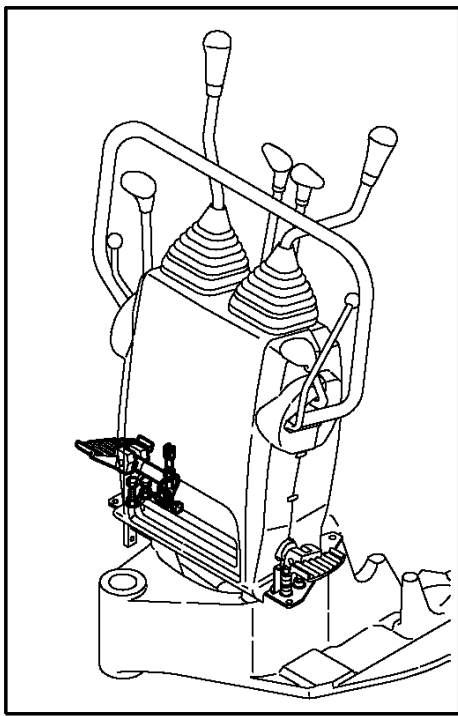




∴印が今回変更(追記)した個所です。
 ∴MARKED PART HAS BEEN CHANGED (ADDED).

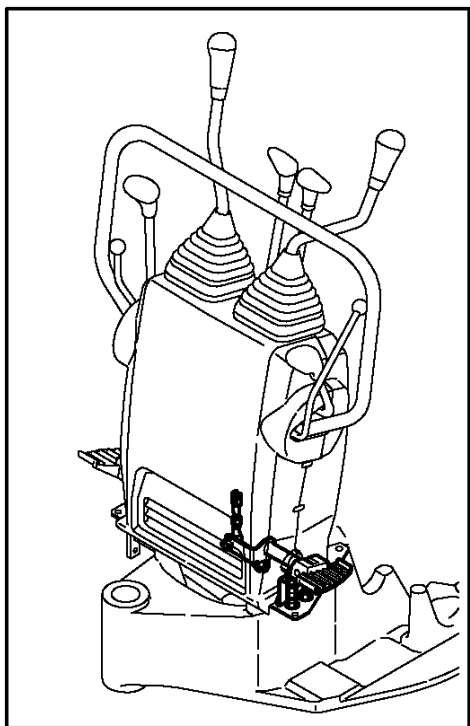
1,1,,172446-45650,, "SHAFT, SWING",1,1,,,,,,,,,,,,,,,,,,,,,
2,1,,172446-45710,, "PEDAL, SWING(GRAY:72)",1,1,,,,,,,,,,,,,,,,,,,,,
3,1,,172157-46270,, SPRING,1,1,,,,,,,,,,,,,,,,,,,,,
4,1,,22417-160160,, "COTTER PIN 1.6X16",1,1,,,,,,,,,,,,,,,,,,,,,
5,1,,22486-100500,, PIN,1,1,,,,,,,,,,,,,,,,,,,,,
6,1,,26116-080354,, "BOLT M 8X 35 PLATED",1,1,,,,,,,,,,,,,,,,,,,,,
7,1,,26116-080504,, "BOLT M 8X 50 PLATED",1,1,,,,,,,,,,,,,,,,,,,,,
8,1,,26116-080604,, "BOLT M8X 60",1,1,,,,,,,,,,,,,,,,,,,,,
9,1,,26366-080002,, "NUT M 8",2,2,,,,,,,,,,,,,,,,,,,,,
10,1,,26716-080002,, "NUT M 8",2,2,,,,,,,,,,,,,,,,,,,,,
11,1,,172446-45760,, "ROD, SPOOL",1,1,,,,,,,,,,,,,,,,,,,,,
12,1,,172446-45820,, "LINK BALL 6",1,1,,,,,,,,,,,,,,,,,,,,,
13,1,,22117-060000,, "WASHER 6",1,1,,,,,,,,,,,,,,,,,,,,,
14,1,,22417-160160,, "COTTER PIN 1.6X16",1,1,,,,,,,,,,,,,,,,,,,,,
15,1,,26051-060002,, "NUT M 6",1,1,,,,,,,,,,,,,,,,,,,,,
16,1,,26051-060002,, "NUT M 6",1,1,,,,,,,,,,,,,,,,,,,,,
17,1,,933110-54100,, "PIN 4.75X14",1,1,,,,,,,,,,,,,,,,,,,,,

Silverhorn.CO.UK



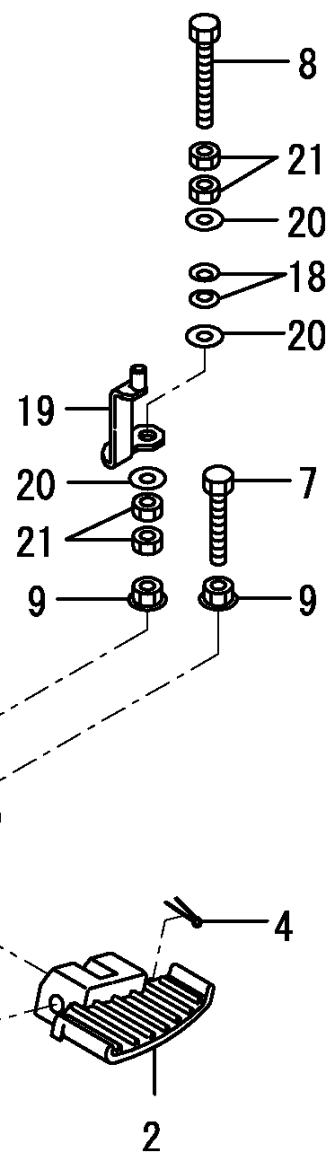
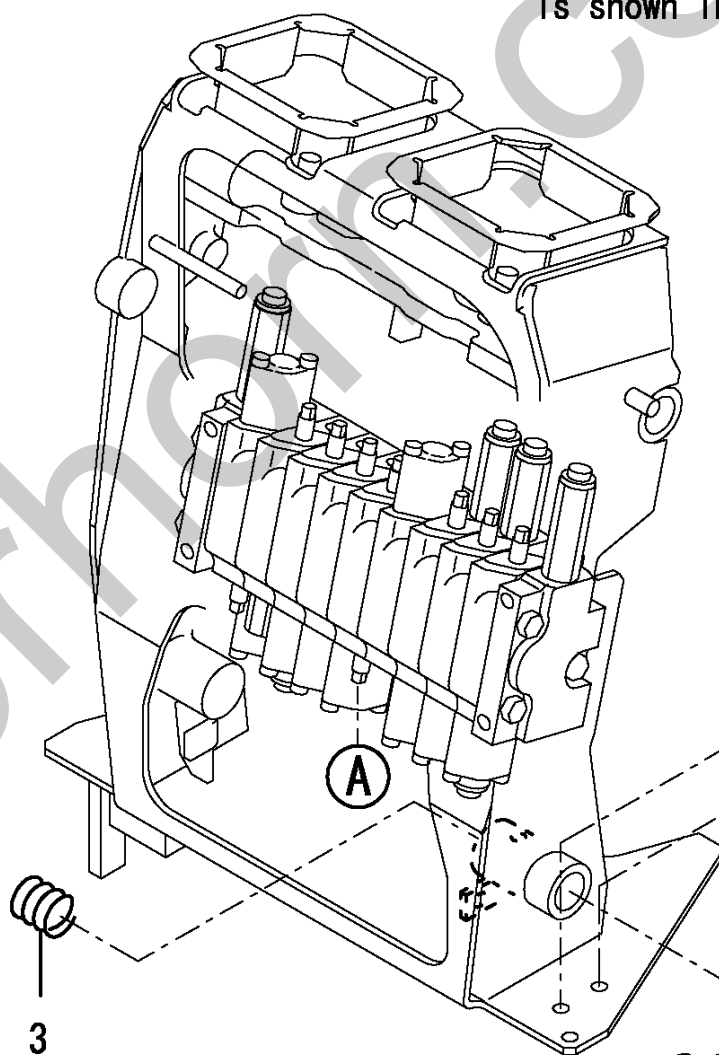
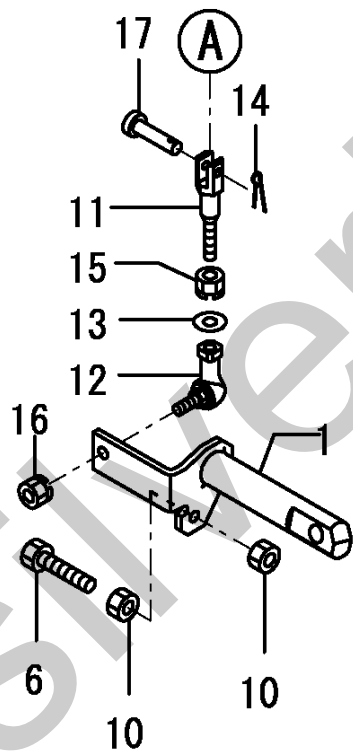
1,1,,172446-45680,,SHAFT,1,1,,,,,,,,,,,,,,,,,,,,,
2,1,,172446-45700,, "PEDAL,P.T.O.(GRAY:72",1,1,,,,,,,,,,,,,,,,,,,,,
3,1,,172157-46270,,SPRING,1,1,,,,,,,,,,,,,,,,,,,,,
4,1,,22417-160160,, "COTTER PIN 1.6X16",1,1,,,,,,,,,,,,,,,,,,,,,
5,1,,22486-100500,,PIN,1,1,,,,,,,,,,,,,,,,,,,,,
6,1,,26116-080354,, "BOLT M 8X 35 PLATED",1,1,,,,,,,,,,,,,,,,,,,,,
7,1,,26116-080504,, "BOLT M 8X 50 PLATED",1,1,,,,,,,,,,,,,,,,,,,,,
8,1,,26116-080604,, "BOLT M8X 60",1,1,,,,,,,,,,,,,,,,,,,,,
9,1,,26366-080002,, "NUT M 8",2,2,,,,,,,,,,,,,,,,,,,,,
10,1,,26716-080002,, "NUT M 8",2,2,,,,,,,,,,,,,,,,,,,,,
11,1,,172446-45760,, "ROD,SPOOL",1,1,,,,,,,,,,,,,,,,,,,,,
12,1,,172446-45820,, "LINK BALL 6",1,1,,,,,,,,,,,,,,,,,,,,,
13,1,,22117-060000,, "WASHER 6",1,1,,,,,,,,,,,,,,,,,,,,,
14,1,,22417-160160,, "COTTER PIN 1.6X16",1,1,,,,,,,,,,,,,,,,,,,,,
15,1,,26051-060002,, "NUT M 6",1,1,,,,,,,,,,,,,,,,,,,,,
16,1,,26051-060002,, "NUT M 6",1,1,,,,,,,,,,,,,,,,,,,,,
17,1,,933110-54100,, "PIN 4.75X14",1,1,,,,,,,,,,,,,,,,,,,,,
18,1,,172068-28490,, "SPRING 8",2,2,,,,,,,,,,,,,,,,,,,,,
19,1,,172446-45910,, "LOCK ,P.T.O.(RED:11)",1,1,,,,,,,,,,,,,,,,,,,,,
20,1,,22137-080000,, "WASHER 8, POLISHED",3,3,,,,,,,,,,,,,,,,,,,,,
21,1,,26757-080002,, "NUT 8",4,4,,,,,,,,,,,,,,,,,,,,,

Silverhorn.CO.UK



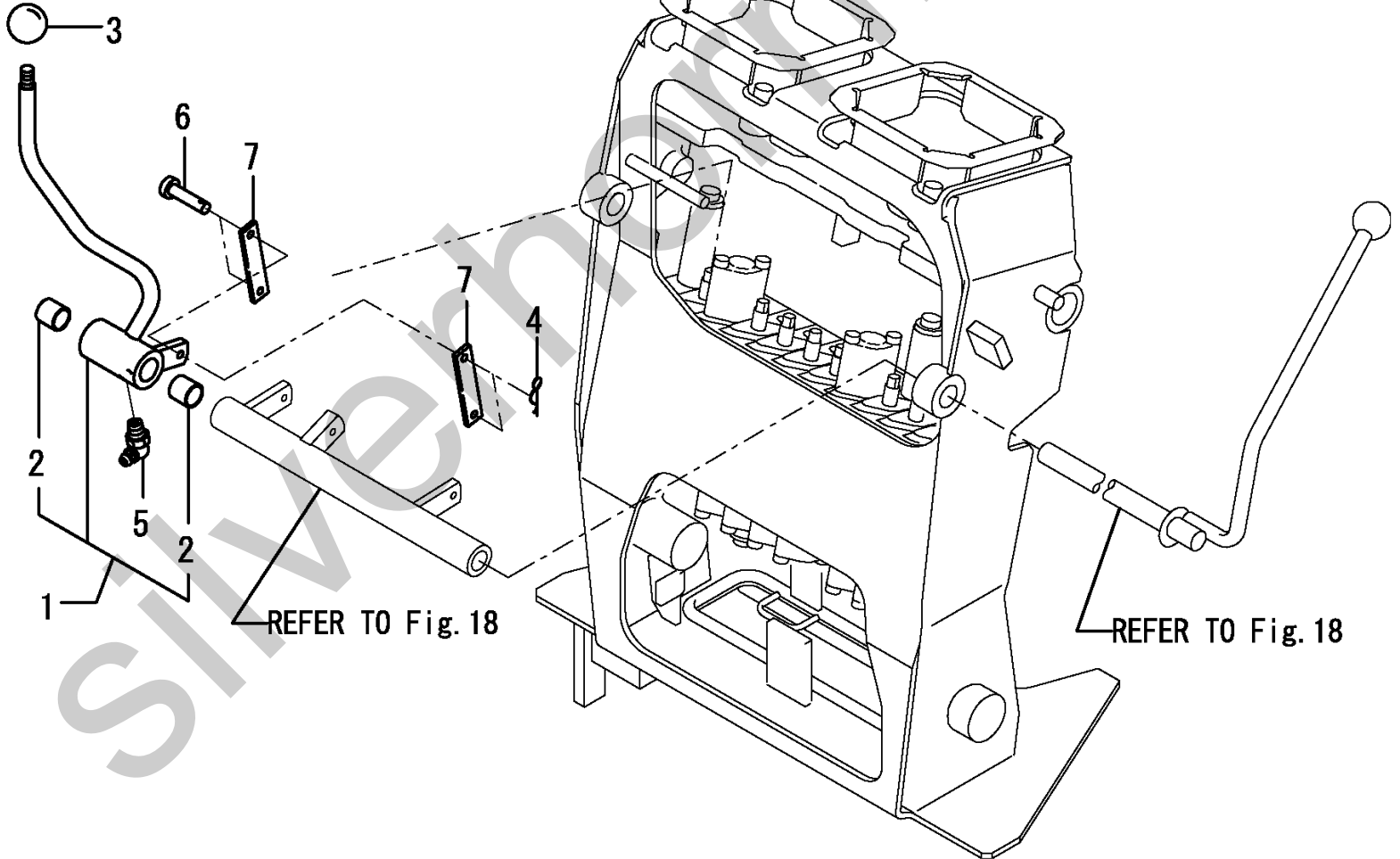
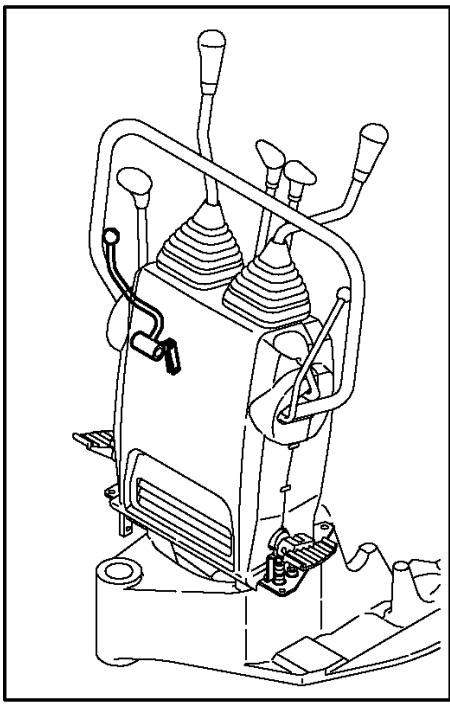
172446-08510
 P.T.O.キット(ブームエンド)は
 項目70を参照下さい。
 P. T. O. KIT (BOOM END)
 is shown in FIG. 70.

172446-08500
 P.T.O.キット(フレームエンド)は
 項目70を参照下さい。
 P. T. O. KIT (FRAME END)
 is shown in FIG. 70.



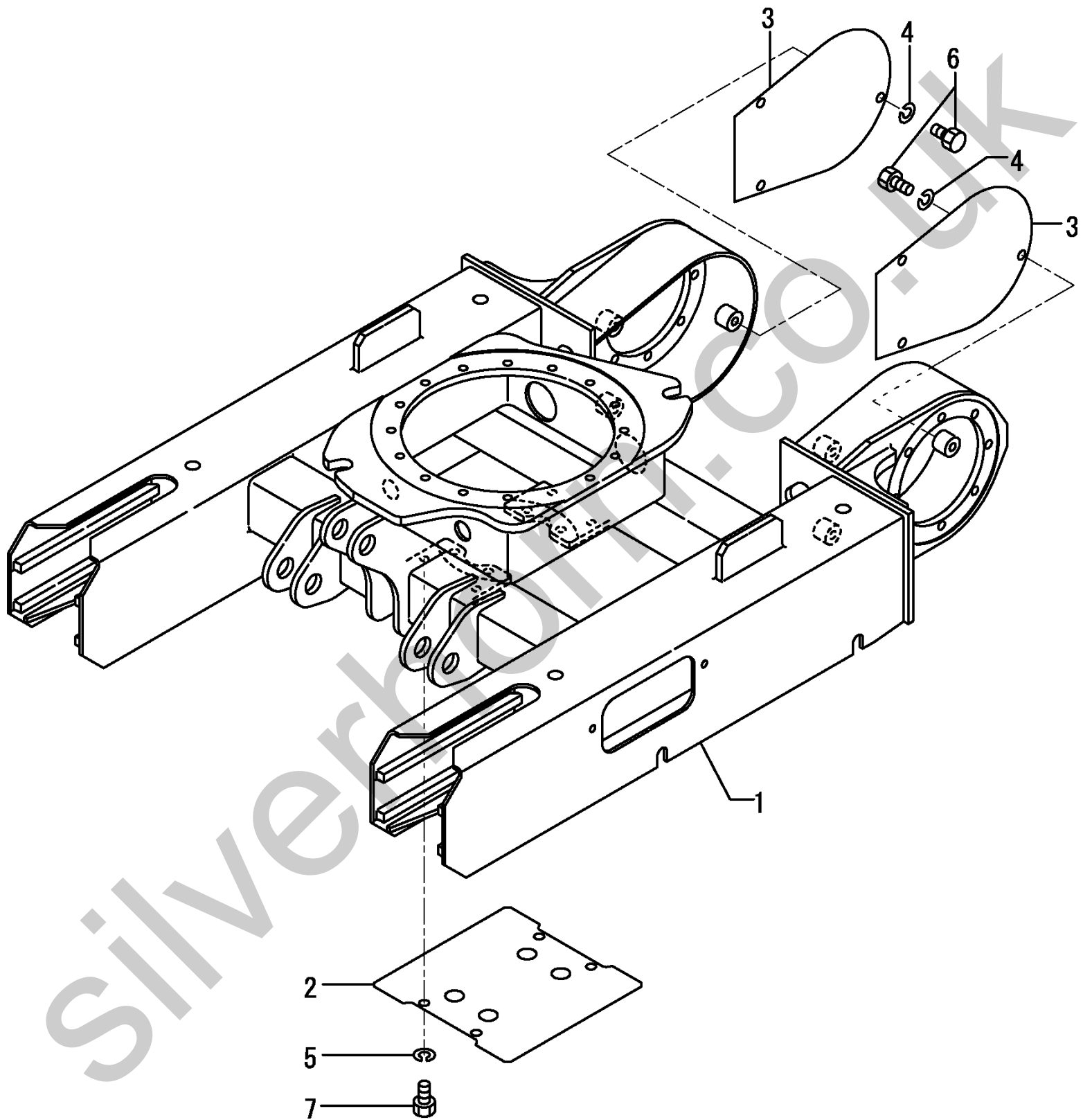
1,1,,172446-45350,, "LEVER (GRAY:72)",1,1,,,,,,,,,,,,,
2,2,,172141-41360,, "BUSH 1415",2,2,,,,,,,,,,,,,
3,1,,172446-45950,, "KNOB,LEVER",1,1,,,,,,,,,,,,,
4,1,,1C6281-52310,, "PIN 6,COME-OFF SNAP",2,2,,,,,,,,,,,,,
5,1,,24761-050000,, "NIPPLE C,GREASE",1,1,,,,,,,,,,,,,
6,1,,933110-54100,, "PIN 4.75X14",2,2,,,,,,,,,,,,,
7,1,,172446-45390,, LINK,2,2,,,,,,,,,,,,,

Silverhorn.CO.UK



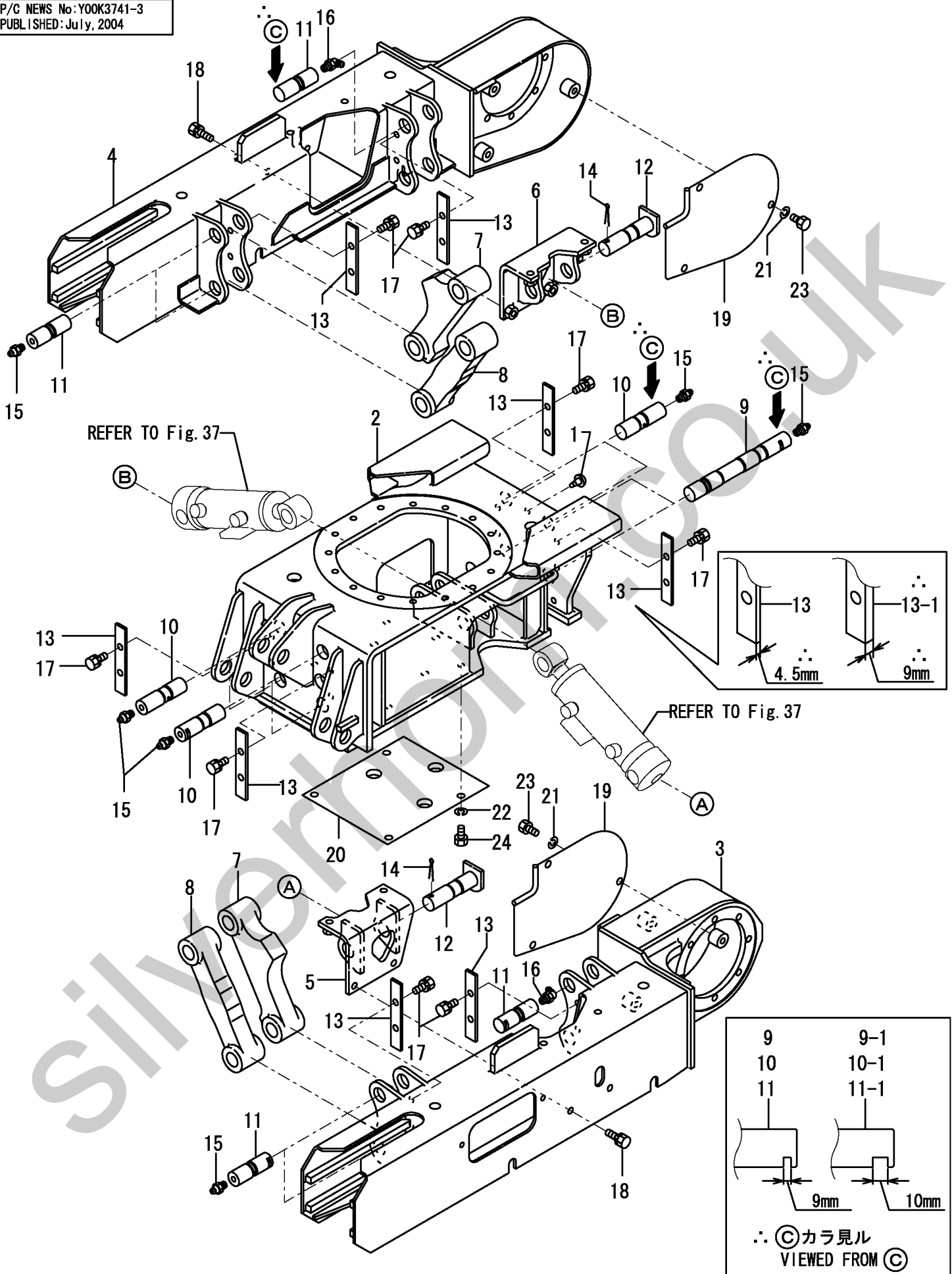
1,1,,172446-50100,, "FRAME,LOWER(GREEN:88",1,1,,,,,,,,,,,,,
2,1,,172446-61301,, "COVER,UNDER(GREEN:88",1,1,,,,,,,,,,,,,
3,1,,172447-61500-1,, "COVER,MOTOR(GREEN:88",2,2,,,,,,,,,,,,,
4,1,,22217-100000,, "SPRING WASHER 10",6,6,,,,,,,,,,,,,
5,1,,22217-100000,, "SPRING WASHER 10",4,4,,,,,,,,,,,,,
6,1,,26116-100202,, "BOLT M10X 20 PLATED",6,6,,,,,,,,,,,,,
7,1,,26116-100202,, "BOLT M10X 20 PLATED",4,4,,,,,,,,,,,,,

Silverhorn.CO.UK



1,1,,172122-17190,,CLIP,2,2,,,,,,,,,,,,,,,,,,,,,
2,1,,172446-50500,,,"FRAME,CENTER(GREEN:88)",1,1,,,,,,,,,,,,,,,,,,,,,
3,1,,172446-50700,,,"FRAME,CRAWLER-L (88)",1,1,,,,,,,,,,,,,,,,,,,,,
4,1,,172446-50710,,,"FRAME,CRAWLER-R (88)",1,1,,,,,,,,,,,,,,,,,,,,,
5,1,,172446-50900,,,"BRACKET L,CYL. (88)",1,1,,,,,,,,,,,,,,,,,,,,,
6,1,,172446-50910,,,"BRACKET R,CYL. (88)",1,1,,,,,,,,,,,,,,,,,,,,,
7,1,,172446-50960,,,"LINK A (GREEN:88)",4,4,,,,,,,,,,,,,,,,,,,,,
8,1,,172446-50970,,,"LINK B (GREEN:88)",4,4,,,,,,,,,,,,,,,,,,,,,
9,1,,172446-51000,,,"PIN 25-197",2,2,,,,,,,,,,,,,,,,,,,,,
9-1,1,,172446-51001,,,"PIN 25-
197",2,2,,,,,F,1,724460145,M/#02753,724460145,M/#02753,,,,,,,,,,,,,I
10,1,,172446-51040,,,"PIN 25-80",6,6,,,,,,,,,,,,,,,,,,,,,
10-1,1,,172446-51041,,,"PIN 25-
80",6,6,,,,,F,1,724460145,M/#02753,724460145,M/#02753,,,,,,,,,,,,,I
11,1,,172446-51050,,,"PIN 25-68",8,8,,,,,,,,,,,,,,,,,,,,,
11-1,1,,172446-51051,,,"PIN 25-
68",8,8,,,,,F,1,724460145,M/#02753,724460145,M/#02753,,,,,,,,,,,,,I
12,1,,172446-51060,,,"PIN 25-100",2,2,,,,,,,,,,,,,,,,,,,,,
13,1,,172446-51080,,,"PLATE,LOCK(GREEN:88)",8,8,,,,,,,,,,,,,,,,,,,,,
13-1,1,,172446-
51081,,,"PLATE,LOCK(GREEN:88)",8,8,,,,,S,,724460145,M/#02753,724460145,M/#02753,,
,,,,,I
14,1,,172155-81390,,,"COTTER PIN 6X 35",2,2,,,,,,,,,,,,,,,,,,,,,
15,1,,24761-020000,,,"NIPPLE PT1/8,GREASE",12,12,,,,,,,,,,,,,,,,,,,,,
16,1,,24761-040000,,,"NIPPLE B,GREASE",4,4,,,,,,,,,,,,,,,,,,,,,
17,1,,26013-100162,,,"BOLT M10X 16",16,16,,,,,,,,,,,,,,,,,,,,,
17-1,1,,26013-100202,,,"BOLT M10X
20",16,16,,,,,S,,724460145,M/#02753,724460145,M/#02753,,,,,,,,,,,,,I
18,1,,26013-100252,,,"BOLT W/WASHER M10X25",8,8,,,,,,,,,,,,,,,,,,,,,
19,1,,172446-61500,,,"COVER,MOTOR(GREEN:88)",2,2,,,,,,,,,,,,,,,,,,,,,
20,1,,172446-61531,,,"COVER,UNDER(GREEN:88)",1,1,,,,,,,,,,,,,,,,,,,,,
21,1,,22217-100000,,,"SPRING WASHER 10",6,6,,,,,,,,,,,,,,,,,,,,,
22,1,,22217-100000,,,"SPRING WASHER 10",4,4,,,,,,,,,,,,,,,,,,,,,
23,1,,26116-100202,,,"BOLT M10X 20 PLATED",6,6,,,,,,,,,,,,,,,,,,,,,
24,1,,26116-100202,,,"BOLT M10X 20 PLATED",4,4,,,,,,,,,,,,,,,,,,,,,

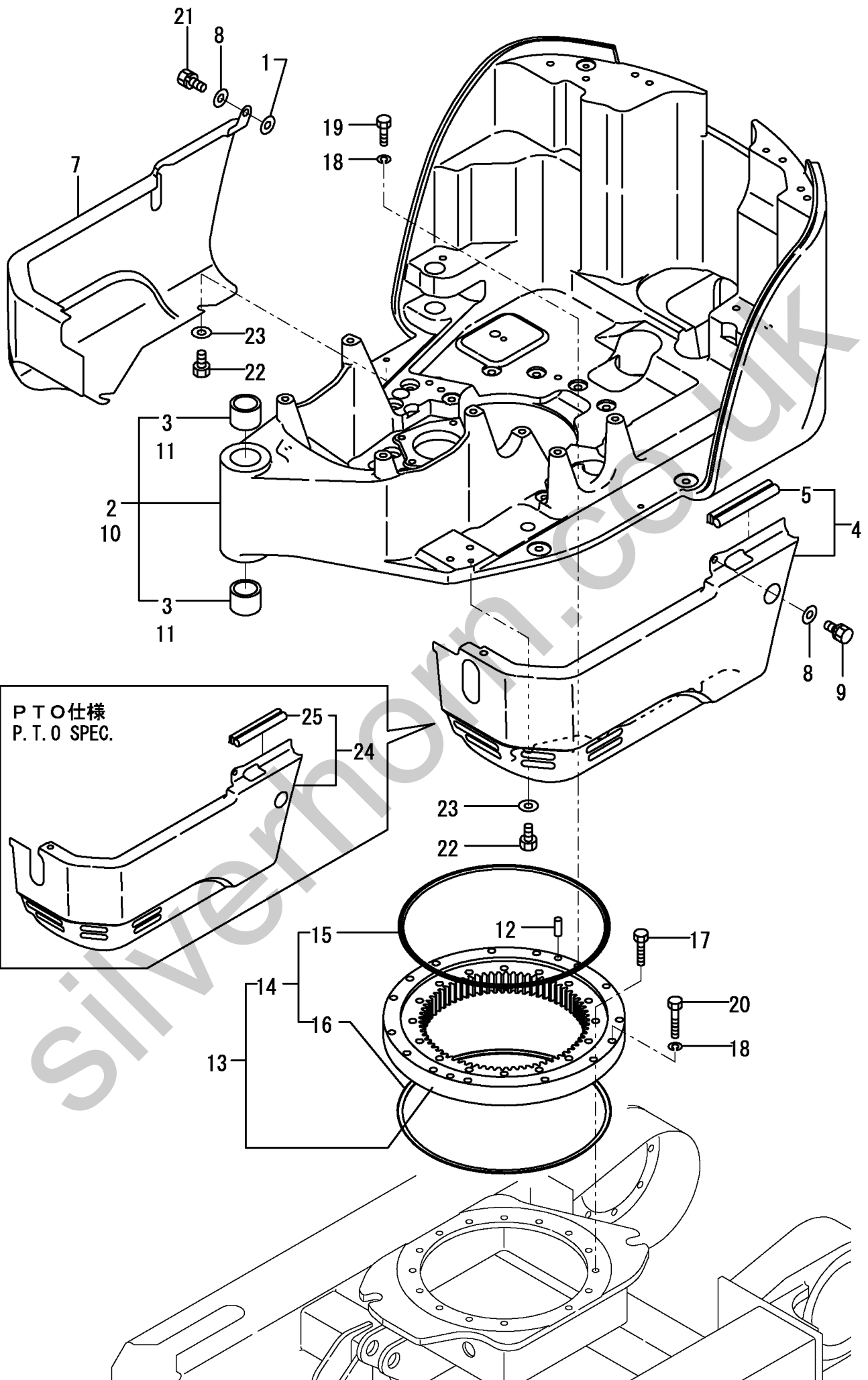




∴印が今回変更(追記)した個所です。
 ∴MARKED PART HAS BEEN CHANGED (ADDED).

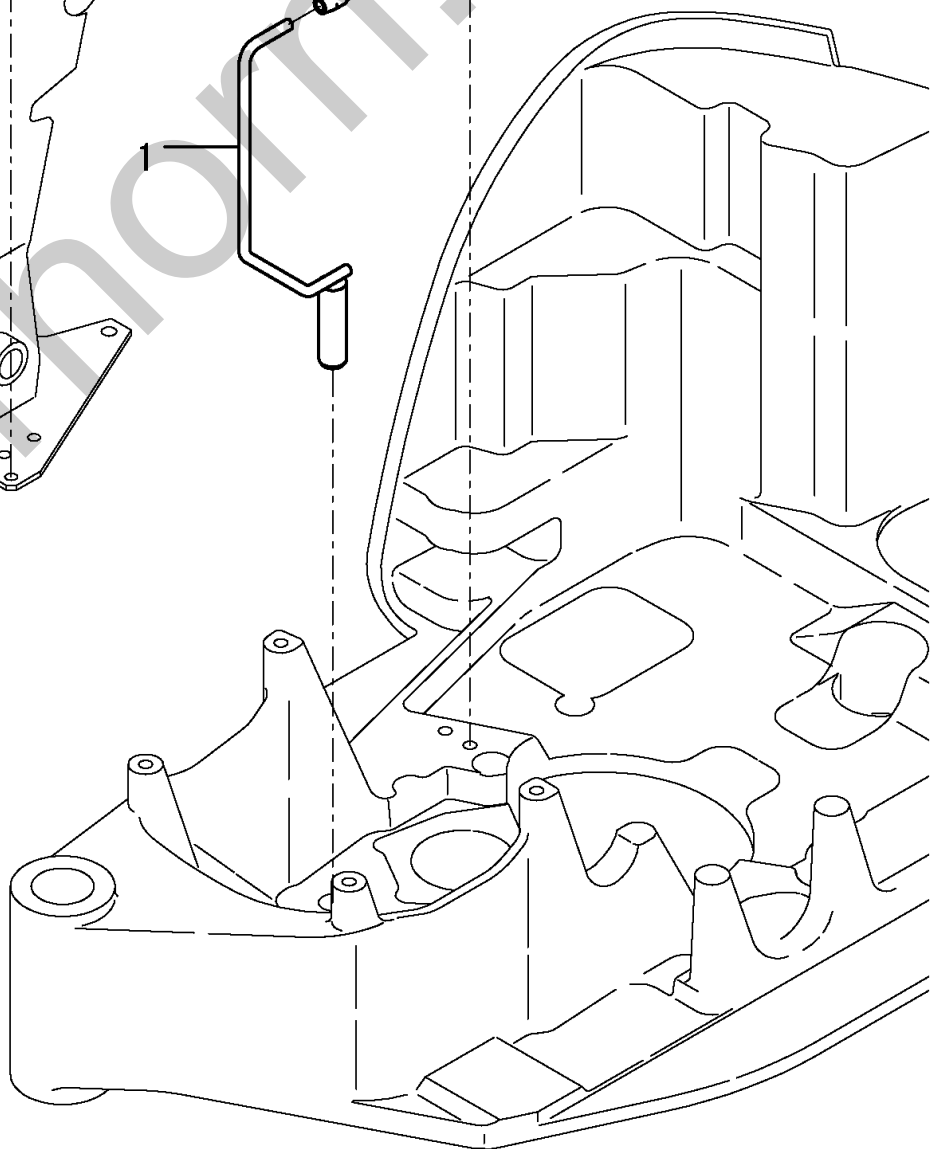
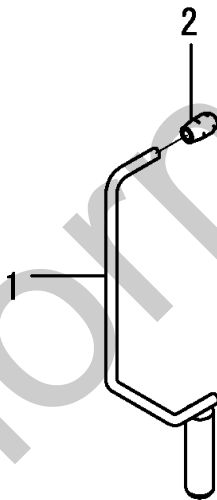
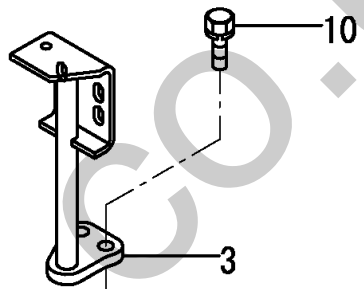
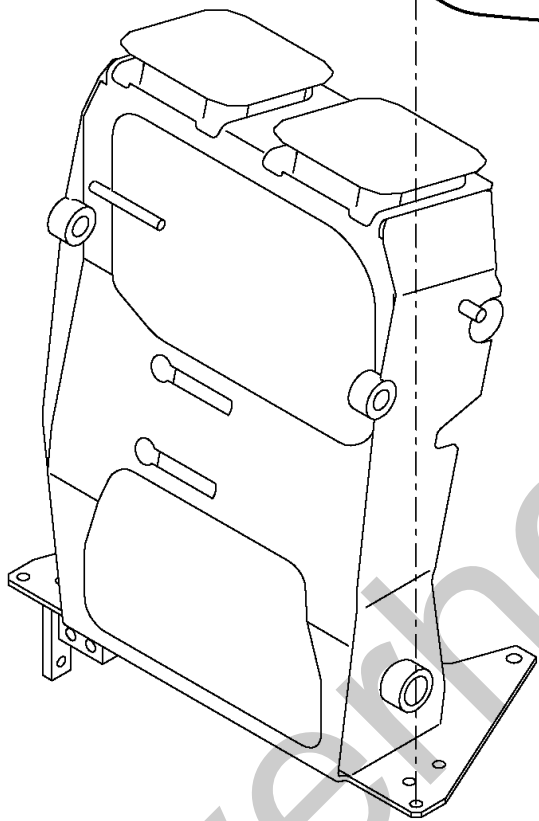
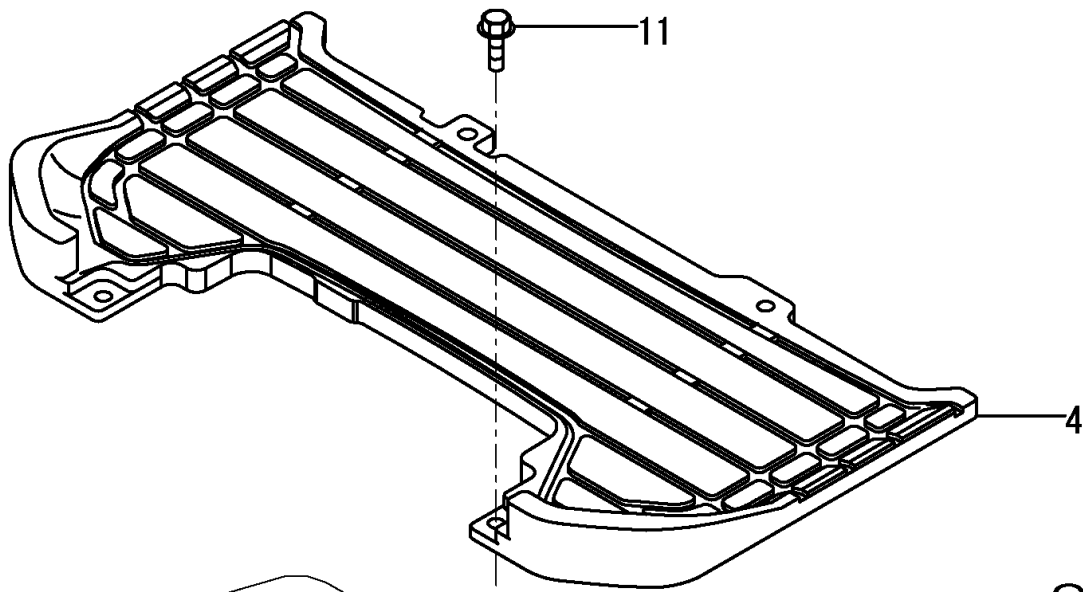
1,1,,172157-45840,, "WASHER 8X18X4",2,,,,,,,,,,,,,,,,,,,,,
2,1,,172446-54100,, "FRAME,TURNING (87)",1,,,,,,,,,1,72446123,,,,,,,,,,,,,I
3,2,,172157-54800,, "BUSH 35X45",2,,,,,,,,,,,,,,,,,,,,,
4,1,,172446-54220,, "COVER L,FRAME (87)",1,,,,,,,,,,,,,,,,,,,,,
5,2,,172446-13530,, "SEAL B,RADIATOR",1,,,,,,,,,,,,,,,,,,,,,
7,1,,172446-54260,, "SIDE R,FRAME (87)",1,,,,,,,,,,,,,,,,,,,,,
8,1,,22137-080000,, "WASHER 8, POLISHED",2,,,,,,,,,,,,,,,,,,,,,
9,1,,26013-080162,, "BOLT W/WASHER M8X16",1,,,,,,,,,,,,,,,,,,,,,
10,1,,172446-54200,, "FRAME,TURNING (87)",1,,,,,,,,,2,72446123,,,,,,,,,,,,,I
11,2,,172157-54800,, "BUSH 35X45",2,,,,,,,,,72446123,,,,,,,,,,,,,I
12,1,,194940-24350,, "PIN 10X28,STRAIGHT",2,,,,,,,,,,,,,,,,,,,,,
13,1,,172157-57600,, "BEARING,TURNING (88)",1,,,,,,,,,,,,,,,,,,,,,
14,2,,172157-57610,, "SEAL KIT",1,,,,,,,,,,,,,,,,,,,,,
15,3,,172157-57620,, "SEAL,UPPER",1,,,,,,,,,,,,,,,,,,,,,
16,3,,172157-57630,, "SEAL,LOWER",1,,,,,,,,,,,,,,,,,,,,,
17,1,,172155-57610,, "BOLT M10X45",16,,,,,,,,,,,,,,,,,,,,,
18,1,,22217-100000,, "SPRING WASHER 10",15,,,,,,,,,,,,,,,,,,,,,
19,1,,26072-100352,, "BOLT 10* 35",11,,,,,,,,,,,,,,,,,,,,,
20,1,,26072-100552,, "BOLT 10* 55",4,,,,,,,,,,,,,,,,,,,,,
21,1,,26013-080252,, "BOLT M 8X 25",1,,,,,,,,,,,,,,,,,,,,,
22,1,,26116-080162,, "BOLT 8X16",4,,,,,,,,,,,,,,,,,,,,,
23,1,,1A1380-62160,, "WASHER",4,,,,,,,,,,,,,,,,,,,,,
24,1,,172446-54300,, "COVER L,PTO ASSY(87)",1,,,,,,,,,3,,,,,,,,,,,,,I
25,2,,172446-13530,, "SEAL B,RADIATOR",1,,,,,,,,,3,,,,,,,,,,,,,I





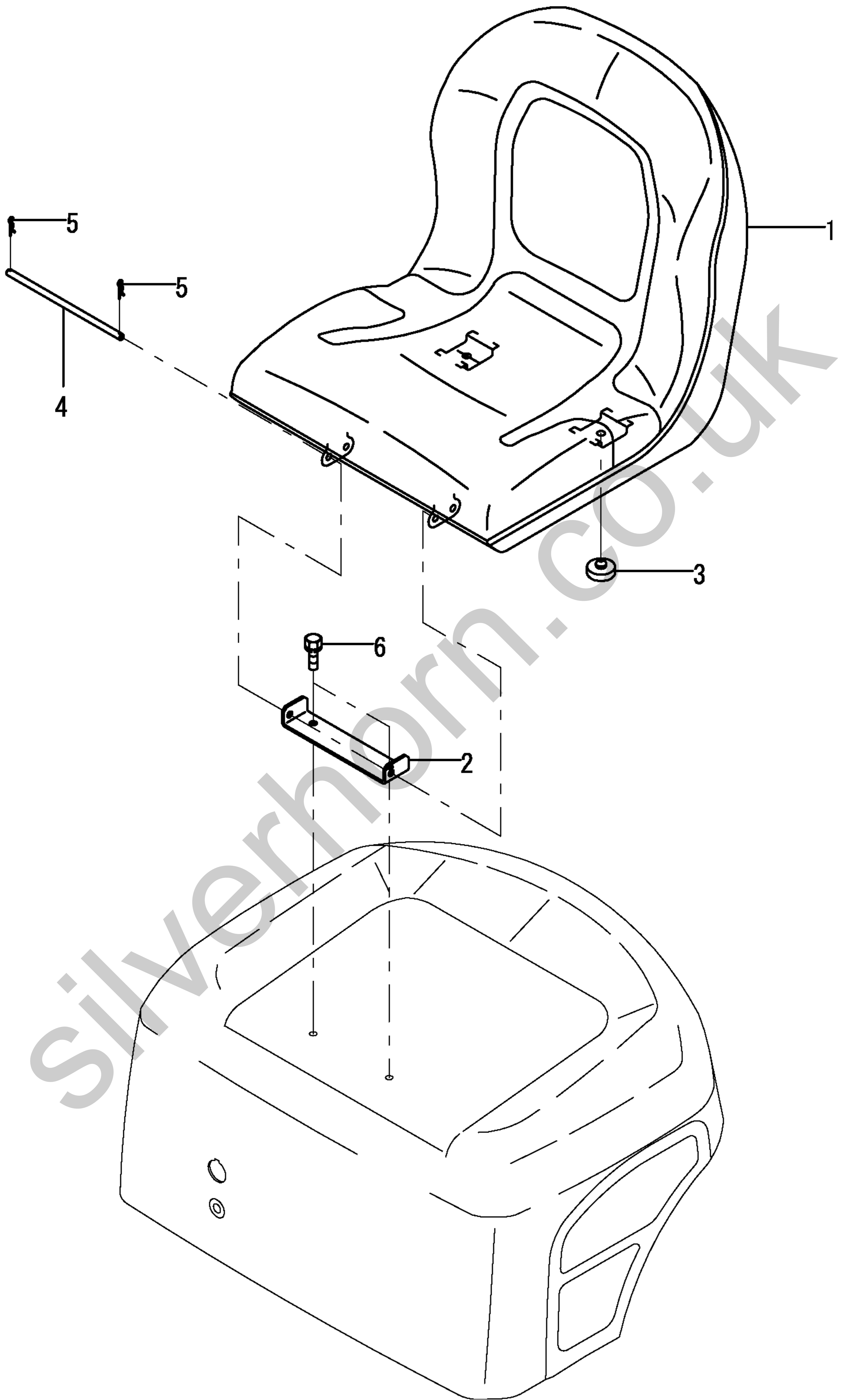
1,1,,172446-58800,, "PIN,LOCK",1,1,,,,,,,,,,,,,,,,,,,,,
2,1,,172157-58830,, "KNOB 6.5X18X35",1,1,,,,,,,,,,,,,,,,,,,,,
3,1,,172446-62150,, "MOUNT,STEP",1,1,,,,,,,,,,,,,,,,,,,,,
4,1,,172446-62200,, "STEP",1,1,,,,,,,,,,,,,,,,,,,,,
10,1,,26013-100252,, "BOLT W/WASHER M10X25",2,2,,,,,,,,,,,,,,,,,,,,,
11,1,,26106-080202,, "BOLT M 8X 20 PLATED",4,4,,,,,,,,,,,,,,,,,,,,,

Silverhorn.CO.UK



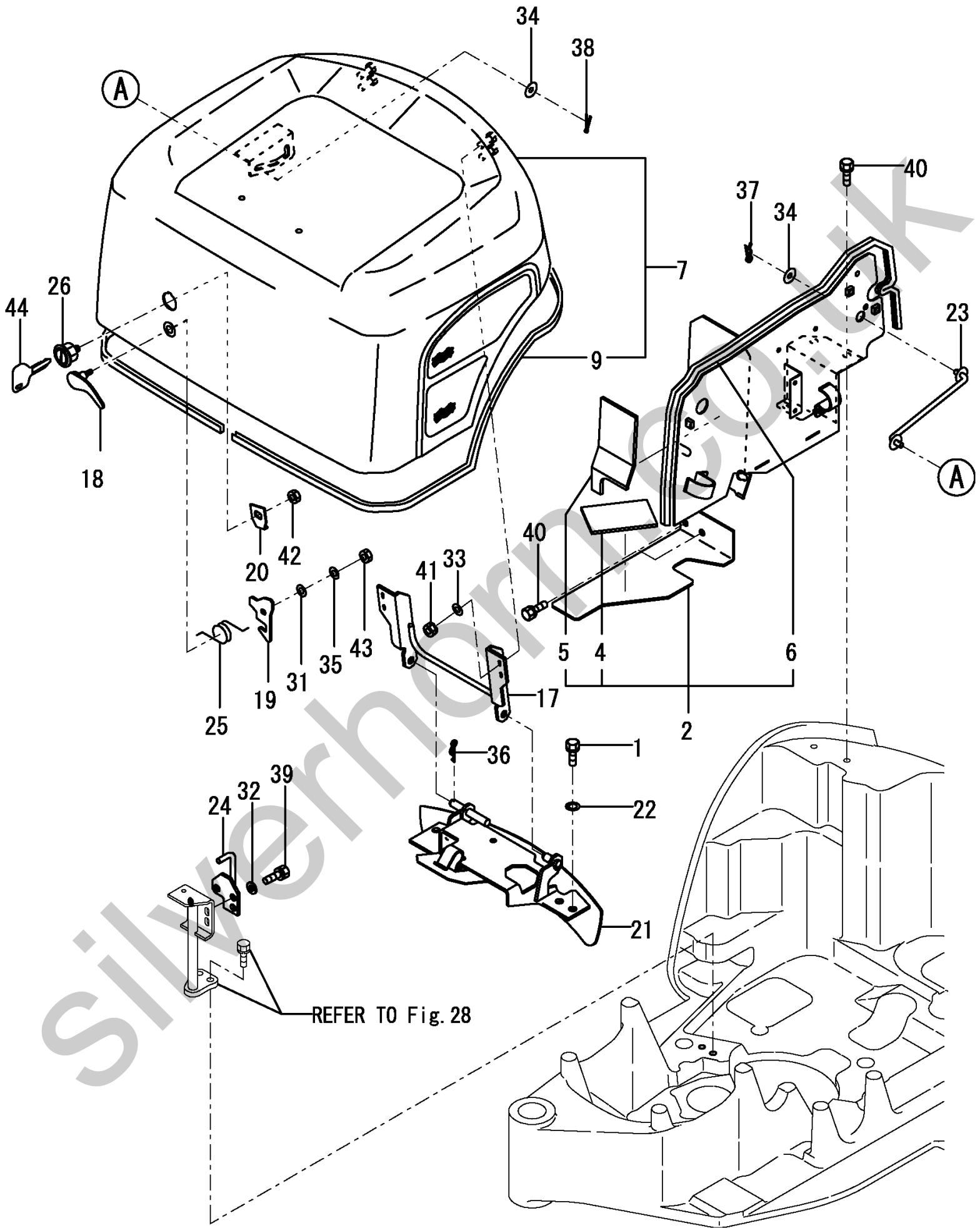
1,1,,172649-64101,, "SEAT ASSY",1,1,,,,,,,,,,,,,,,,,,,,,
2,1,,172446-64200,, "BRACKET,SEAT(GREEN88",1,1,,,,,,,,,,,,,,,,,,,,,
3,1,,172141-64370,, "CUSHION, SEAT",2,2,,,,,,,,,,,,,,,,,,,,,
4,1,,172156-64420,, PIN,1,1,,,,,,,,,,,,,,,,,,,,,,,,,,,,,
5,1,,22372-080000,, "SNAP PIN (JASO 8)",2,2,,,,,,,,,,,,,,,,,,,,,
6,1,,26013-080162,, "BOLT W/WASHER M8X16",2,2,,,,,,,,,,,,,,,,,,,,,

Silverhorn.CO.UK



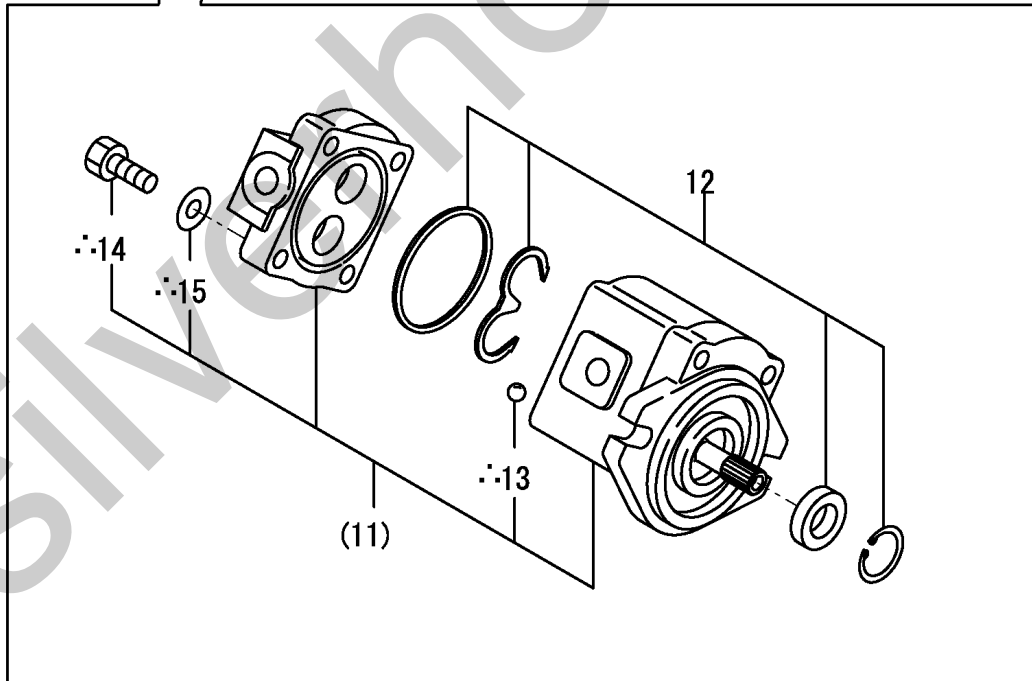
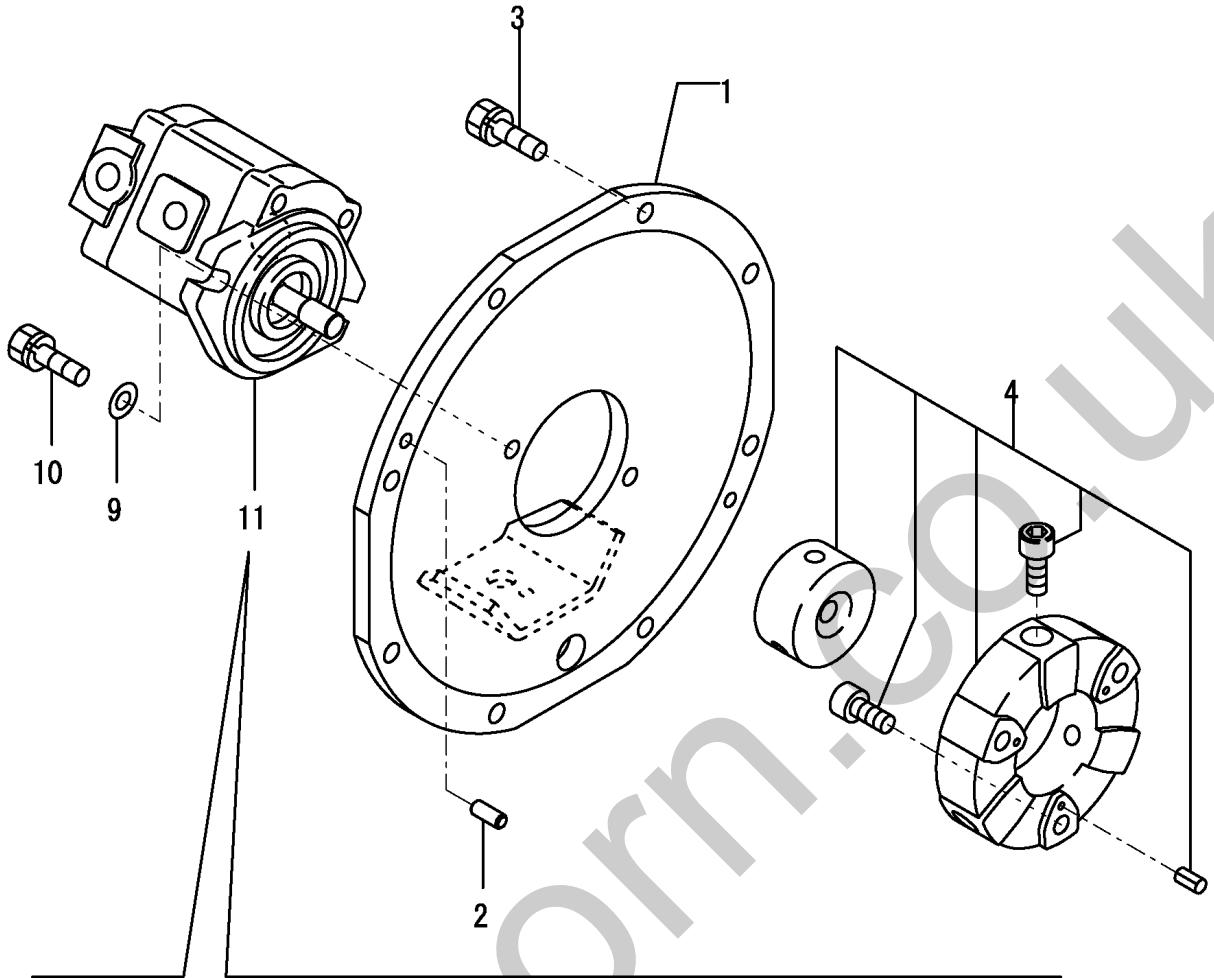
1,1,,172164-19130,, "BOLT M10X 25",4,4,,,,,,,,,,,,,,,,,,,,,
2,1,,172446-62800,, PLATE,1,1,,,,,,,,,,,,,,,,,,,,,
4,2,,172446-62910,, "RUBBER PLATE",1,1,,,,,,,,,,,,,,,,,,,,,
5,2,,172446-62920,, "RUBBER PLATE",1,1,,,,,,,,,724460162,,724460162,,,,,,,,,I
6,2,,172446-62930,, RUBBER,1,1,,,,,,,,,,,,,,,,,,,,,
7,1,,172446-65100,, "BONNET (GREEN:97)",1,1,,,,,,,,,,,,,,,,,,,,,
9,2,,172446-65190,, TRIM(2300,1,1,,,,,,,,,,,,,,,,,,,,,
17,1,,172446-65300,, ARM,1,1,,,,,,,,,,,,,,,,,,,,,
18,1,,172446-65350,, "LEVER CMP",1,1,,,,,,,,,,,,,,,,,,,,,
19,1,,172446-65370,, PLATE,1,1,,,,,,,,,,,,,,,,,,,,,
20,1,,172446-65380,, PLATE,1,1,,,,,,,,,,,,,,,,,,,,,
21,1,,172446-65400,, "MOUNT,BONNET",1,1,,,,,,,,,,,,,,,,,,,,,
22,1,,172446-65470,, WASHER,4,4,,,,,,,,,,,,,,,,,,,,,
23,1,,172446-65500,, LINK,1,1,,,,,,,,,,,,,,,,,,,,,
24,1,,172446-65540,, HOOK,1,1,,,,,,,,,,,,,,,,,,,,,
25,1,,172156-65690,, "TORSION SPRING,STOPR",1,1,,,,,,,,,,,,,,,,,,,,,
26,1,,172164-66170,, "KEY ASSY, CYLINDER",1,1,,,,,,,,,,,,,,,,,,,,,
31,1,,22137-080000,, "WASHER 8, POLISHED",1,1,,,,,,,,,,,,,,,,,,,,,
32,1,,22137-080000,, "WASHER 8, POLISHED",3,3,,,,,,,,,,,,,,,,,,,,,
33,1,,22137-100000,, "WASHER 10,POLISHED",4,4,,,,,,,,,,,,,,,,,,,,,
34,1,,22157-080000,, "WASHER 8",2,2,,,,,,,,,,,,,,,,,,,,,
35,1,,22217-080000,, "SPRING WASHER 8",1,1,,,,,,,,,,,,,,,,,,,,,
36,1,,22360-120000,, "SNAP PIN 12",2,2,,,,,,,,,,,,,,,,,,,,,
37,1,,22372-080000,, "SNAP PIN (JASO 8)",1,1,,,,,,,,,,,,,,,,,,,,,
38,1,,22417-200200,, "COTTER PIN 2.0X20",1,1,,,,,,,,,,,,,,,,,,,,,
39,1,,26013-080202,, "BOLT W/WASHER M8X20",3,3,,,,,,,,,,,,,,,,,,,,,
40,1,,26013-100202,, "BOLT W/WASHER M10X20",4,4,,,,,,,,,,,,,,,,,,,,,
41,1,,26051-100002,, "NUT M10",4,4,,,,,,,,,,,,,,,,,,,,,
42,1,,26347-100002,, "U-NUT 10",1,1,,,,,,,,,,,,,,,,,,,,,
43,1,,26716-080002,, "NUT M 8",1,1,,,,,,,,,,,,,,,,,,,,,
44,1,,172524-17330,, "KEY ASSY",1,1,,,,,,,,,,,,,,,,,,,,,





1,1,,172446-71100,, "MOUNT, HYD. PUMP", 1,1,,,,,,,,,,,,,,,,,,,,,
2,1,,22312-080200,, "PARALLEL PIN 8X20", 2,2,,,,,,,,,,,,,,,,,,,,,
3,1,,26013-100252,, "BOLT W/WASHER M10X25", 8,8,,,,,,,,,,,,,,,,,,,,,
4,1,,172157-71210,, "BEARING HOLDER ASY", 1,1,,,,,,,,,,,,,,,,,,,,,
9,1,,22137-100000,, "WASHER 10, POLISHED", 2,2,,,,,,,,,,,,,,,,,,,,,
10,1,,26013-100252,, "BOLT W/WASHER M10X25", 2,2,,,,,,,,,,,,,,,,,,,,,
11,1,,172446-73100,, PUMP, 1,1,,,,,,,,,,,,,,,,,,,,,
12,2,,172446-73120,, "SEAL KIT", 1,1,,,,,,,,,,,,,,,,,,,,,
13,2,,172446-73130,, , 4,4,,,,,,,,,,,,,,,,,,,,,I
14,2,,172446-73140,, , 4,4,,,,,,,,,,,,,,,,,,,,,I
15,2,,172446-73150,, , 4,4,,,,,,,,,,,,,,,,,,,,,I

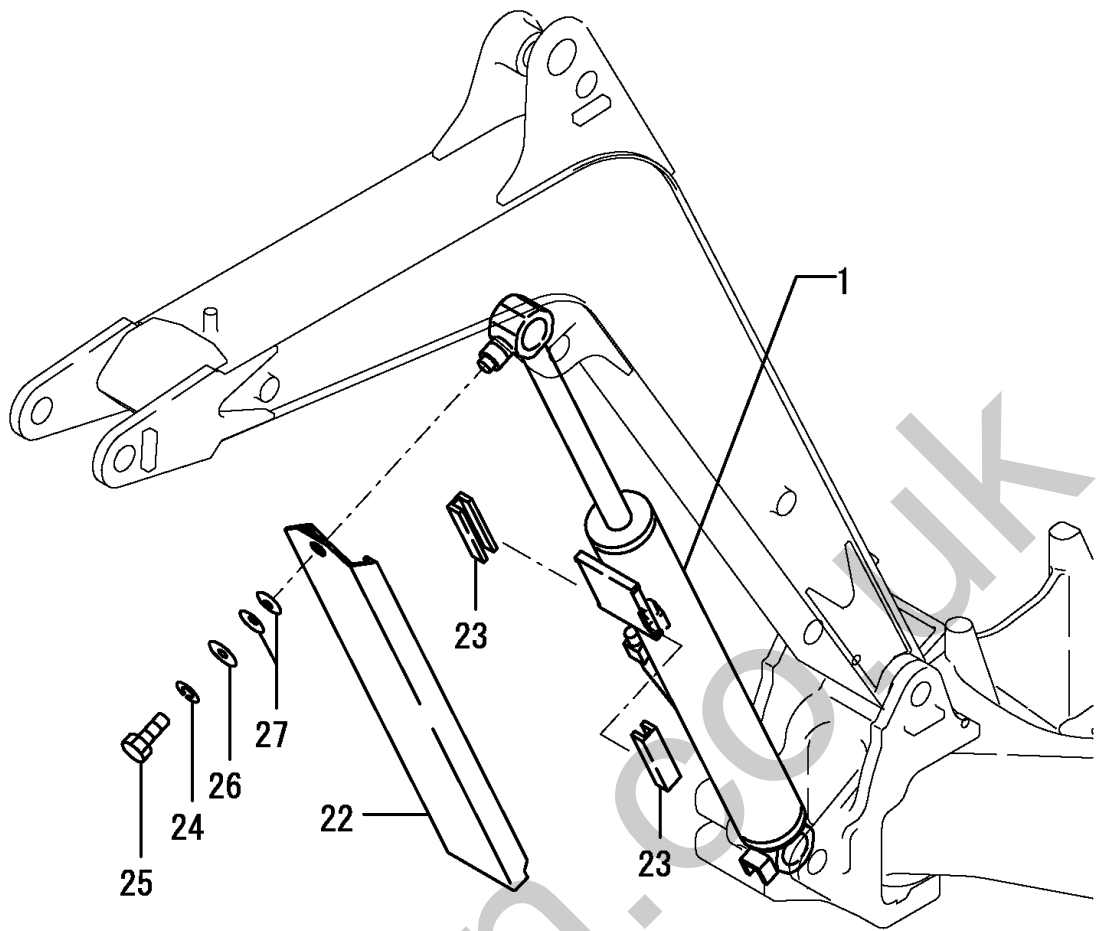
Silverhorn.CO.UK



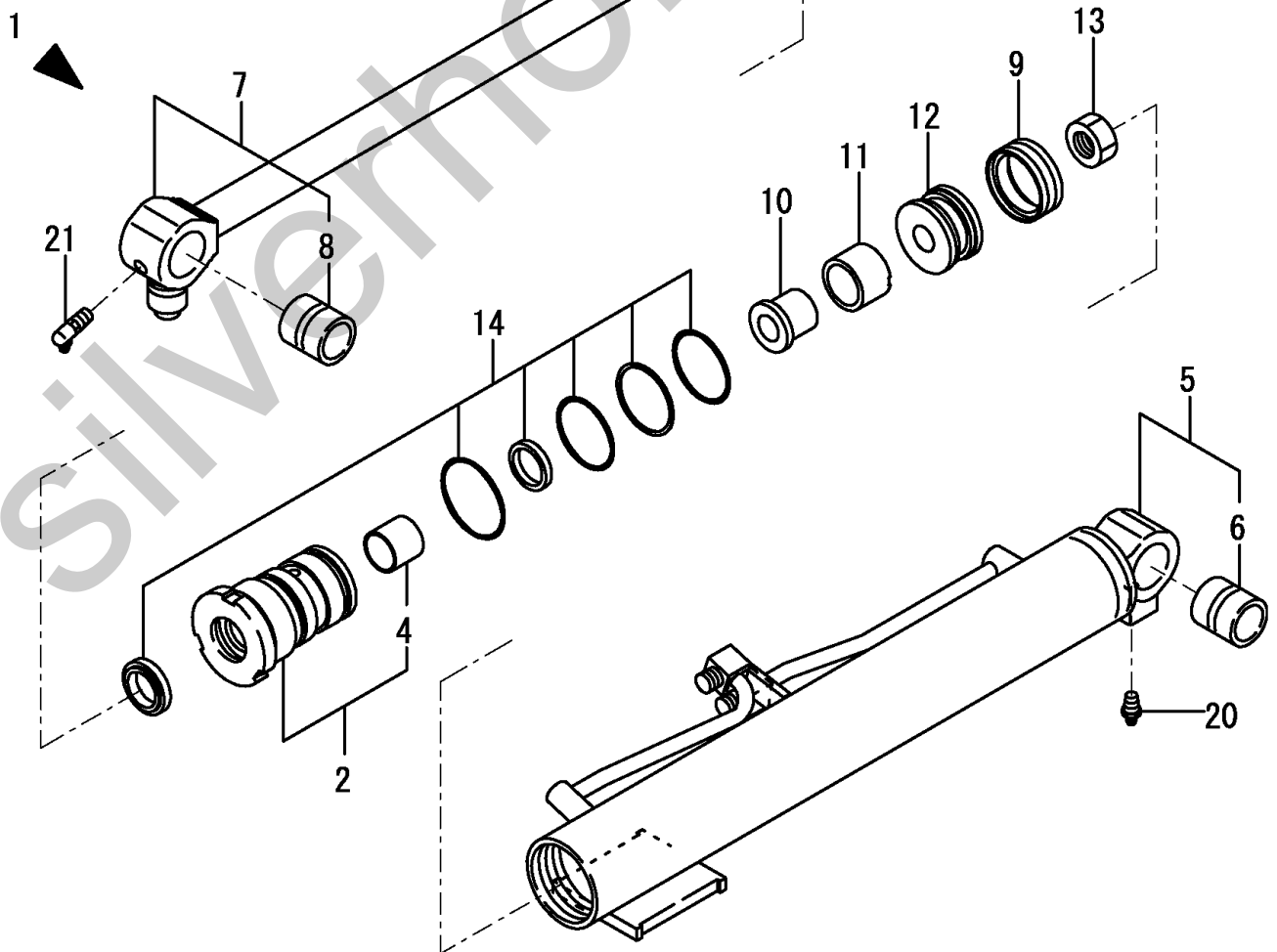
∴印が今回変更(追記)した個所です。
∴.MARKED PART HAS BEEN CHANGED (ADDED).

1,1,,172446-72100,, "CYLINDER,BOOM (87)",1,1,,,,,,,,,,,,,,,,,,,,,
2,2,,172446-72110,, "HEAD 50-25",1,1,,,,,,,,,,,,,,,,,,,,,
4,3,,933111-01700,, "BUSH 25 25, ROD",1,,,,,,,,,,,,,,,,,,,,,
4-1,3,,24550-025250,, "BUSH 25X25",1,1,,,,,R,,A1686116,M/#01762,,,,,,,,,,,,,I
5,2,,172446-72150,, "TUBE,BOOM(YELLOW:87)",1,1,,,,,,,,,,,,,,,,,,,,,
6,3,,172156-72770,, "BUSH, PIN 25 35 B",1,1,,,,,,,,,,,,,,,,,,,,,
7,2,,172446-72270,, "LOP,BOOM",1,1,,,,,,,,,,,,,,,,,,,,,
8,3,,172156-72770,, "BUSH, PIN 25 35 B",1,1,,,,,,,,,,,,,,,,,,,,,
9,2,,172447-72320,, "GASKET RGU 50",1,1,,,,,,,,,,,,,,,,,,,,,
10,2,,172446-72370,, "COLLER",1,1,,,,,,,,,,,,,,,,,,,,,
11,2,,172447-72380,, "RING 36",1,1,,,,,,,,,,,,,,,,,,,,,
12,2,,172447-72530,, "PISTON 50 18X28",1,1,,,,,,,,,,,,,,,,,,,,,
13,2,,172157-72730,, "U-NUT M18",1,1,,,,,,,,,,,,,,,,,,,,,
14,2,,172157-72010,, "SEAL SET 50A, HEAD",1,1,,,,,,,,,,,,,,,,,,,,,
20,2,,24761-020000,, "NIPPLE PT1/8,GREASE",1,1,,,,,,,,,,,,,,,,,,,,,
21,2,,24761-040000,, "NIPPLE B,GREASE",1,1,,,,,,,,,,,,,,,,,,,,,
22,1,,172446-72350,, "COVER, SLIDE",1,1,,,,,,,,,,,,,,,,,,,,,
23,1,,172186-72480,, "GUIDE,SLIDE",2,2,,,,,,,,,,,,,,,,,,,,,
24,1,,22217-100000,, "SPRING WASHER 10",1,1,,,,,,,,,,,,,,,,,,,,,
25,1,,26116-100162,, "BOLT M10X 16 PLATED",1,1,,,,,,,,,,,,,,,,,,,,,
26,1,,933147-03400,, "WASHER, BRAKE ARM",1,1,,,,,,,,,,,,,,,,,,,,,
27,1,,933168-14170,, "SPRING 16",2,2,,,,,,,,,,,,,,,,,,,,,

Silverhorn.CO.UK

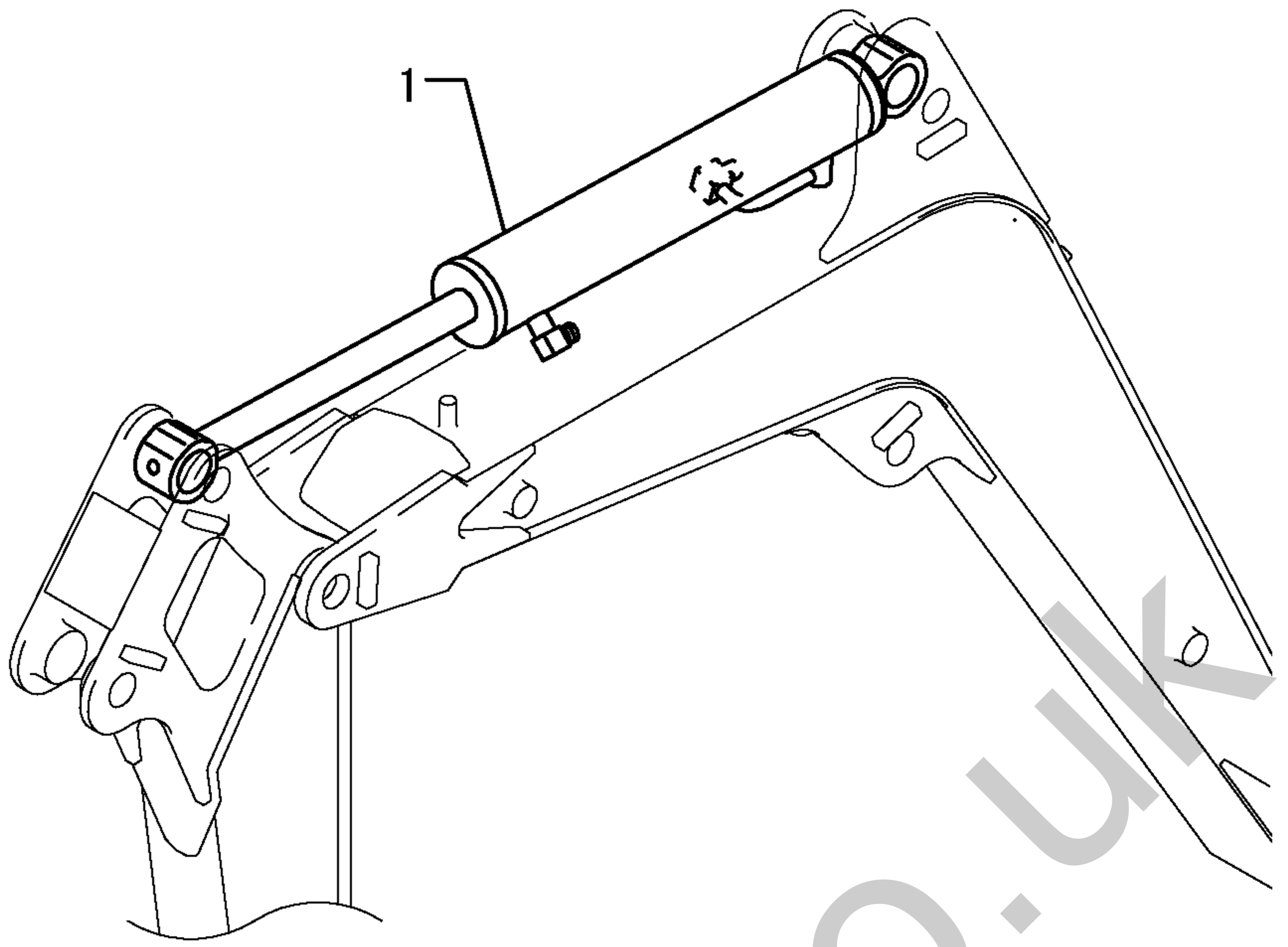


見出しNo. 1は
見出しNo. 2~21を含みます。
1 INC. 2~21.

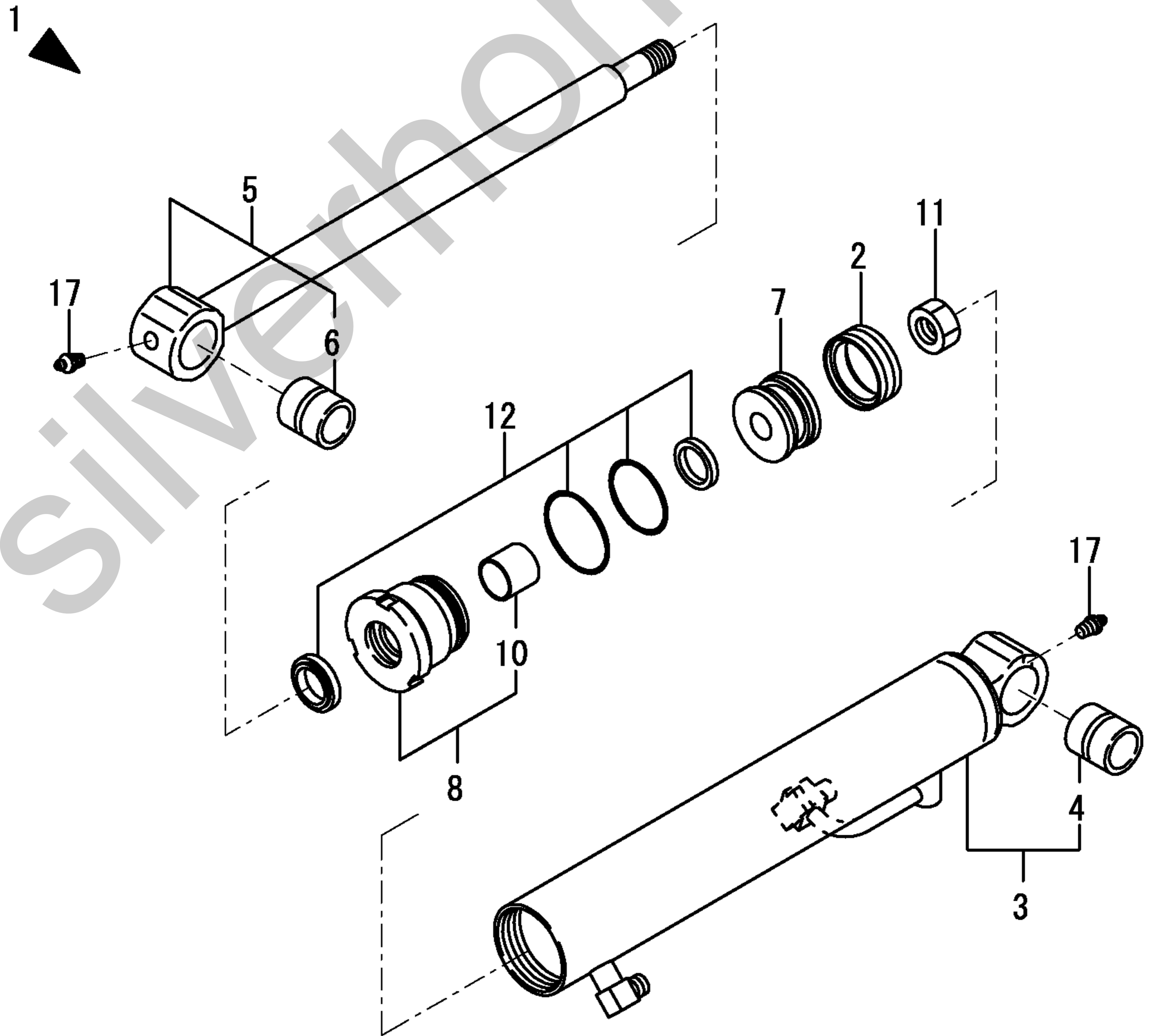


1,1,,172446-72400,, "CYLINDER,ARM (88)",1,1,,,,,,,,,,,,,,,,,
2,2,,172447-72320,, "GASKET RGU 50",1,1,,,,,,,,,,,,,,,,,
3,2,,172446-72430,, "TUBE,ARM (YELLOW:88)",1,1,,,,,,,,,,,,,,,,,
4,3,,172156-72770,, "BUSH, PIN 25 35 B",1,1,,,,,,,,,,,,,,,,,
5,2,,172446-72500,, "ROD,ARM",1,1,,,,,,,,,,,,,,,,,
6,3,,172156-72770,, "BUSH, PIN 25 35 B",1,1,,,,,,,,,,,,,,,,,
7,2,,172447-72530,, "PISTON 50 18X28",1,1,,,,,,,,,,,,,,,,,
8,2,,172157-72620,, "HEAD 5025 B W/BUSH",1,1,,,,,,,,,,,,,,,,,
10,3,,933111-01700,, "BUSH 25 25, ROD",1,,,,,,,,,,,,,,,,,
10-1,3,,24550-025250,, "BUSH 25X25",1,1,,,,,R,,A1686116,M/#01762,,,,,,,,,I
11,2,,172157-72730,, "U-NUT M18",1,1,,,,,,,,,,,,,,,,,
12,2,,172157-72020,, "SEAL SET 50B, HEAD",1,1,,,,,,,,,,,,,,,,,
17,2,,24761-020000,, "NIPPLE PT1/8,GREASE",2,2,,,,,,,,,,,,,,,,,

Silverhorn.CO.UK

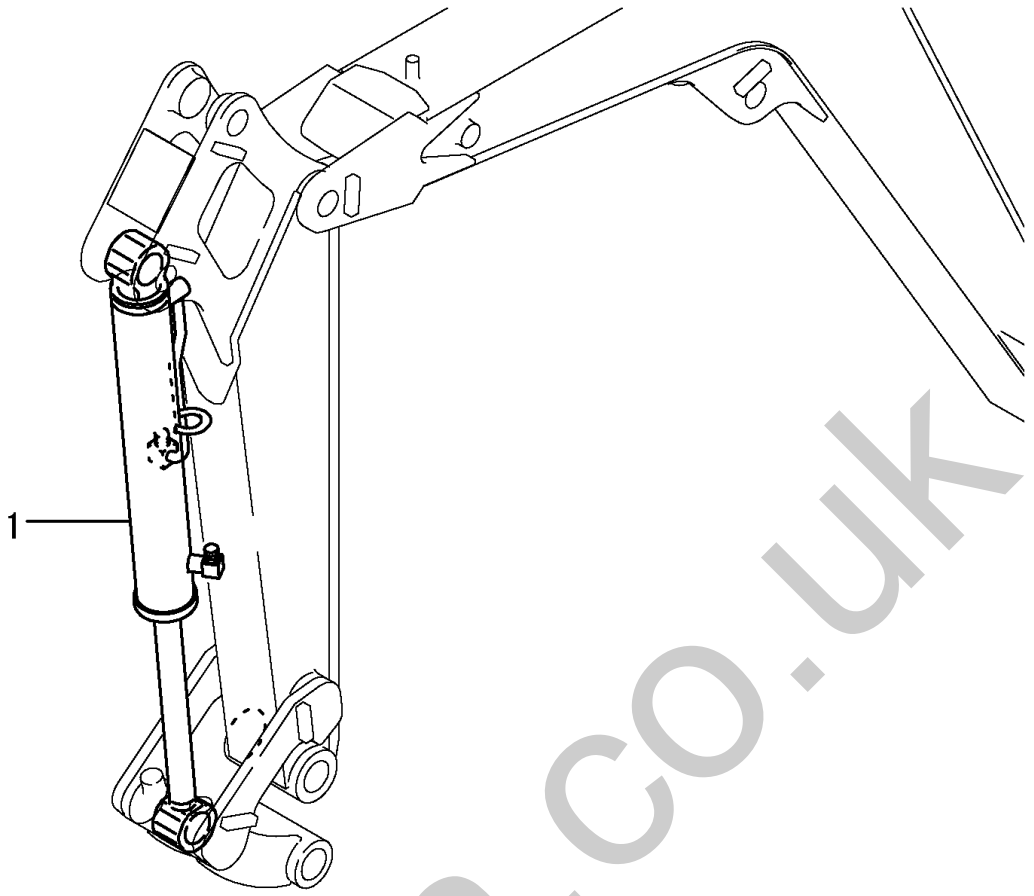


見出しNo. 1は
見出しNo. 2~17を含みます。
1 INC. 2~17.

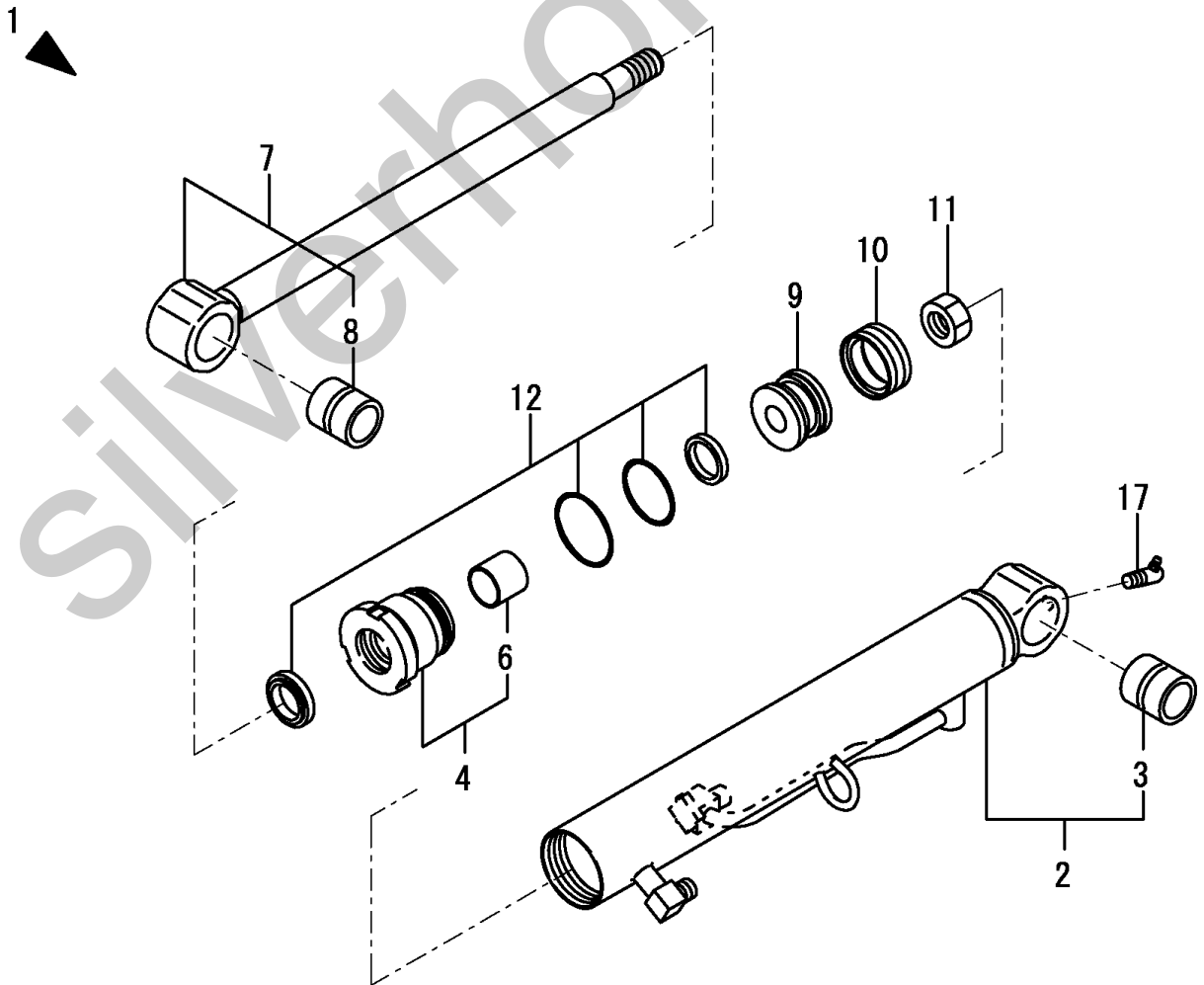


1,1,,172446-72550,, "CYLINDER, BUCKET (87)",1,1,,,,,,,,,,,,,
2,2,,172446-72580,, "TUBE, BUCKET(YELLOW87",1,1,,,,,,,,,,,,,
3,3,,172156-72770,, "BUSH, PIN 25 35 B",1,1,,,,,,,,,,,,,
4,2,,172186-72630,, HEAD,1,1,,,,,,,,,,,,,
6,3,,933111-01700,, "BUSH 25 25, ROD",1,,,,,,,,,,,,,
6-1,3,,24550-025250,, "BUSH 25X25",1,1,,,,,R,,A1686116,M/#01762,,,,,,I
7,2,,172446-72650,, "ROD, BUCKET",1,1,,,,,,,,,,,,,
8,3,,172156-72410,, "PIN BUSH 25 35 A",1,1,,,,,,,,,,,,,
9,2,,172446-72680,, "PISTON 45",1,1,,,,,,,,,,,,,
10,2,,172186-72690,, GASKET,1,1,,,,,,,,,,,,,
11,2,,172157-72730,, "U-NUT M18",1,1,,,,,,,,,,,,,
12,2,,172186-72590,, "SEAL SET, HEAD",1,1,,,,,,,,,,,,,
17,2,,24761-040000,, "NIPPLE B, GREASE",1,1,,,,,,,,,,,,,

Silverhorn.CO.UK



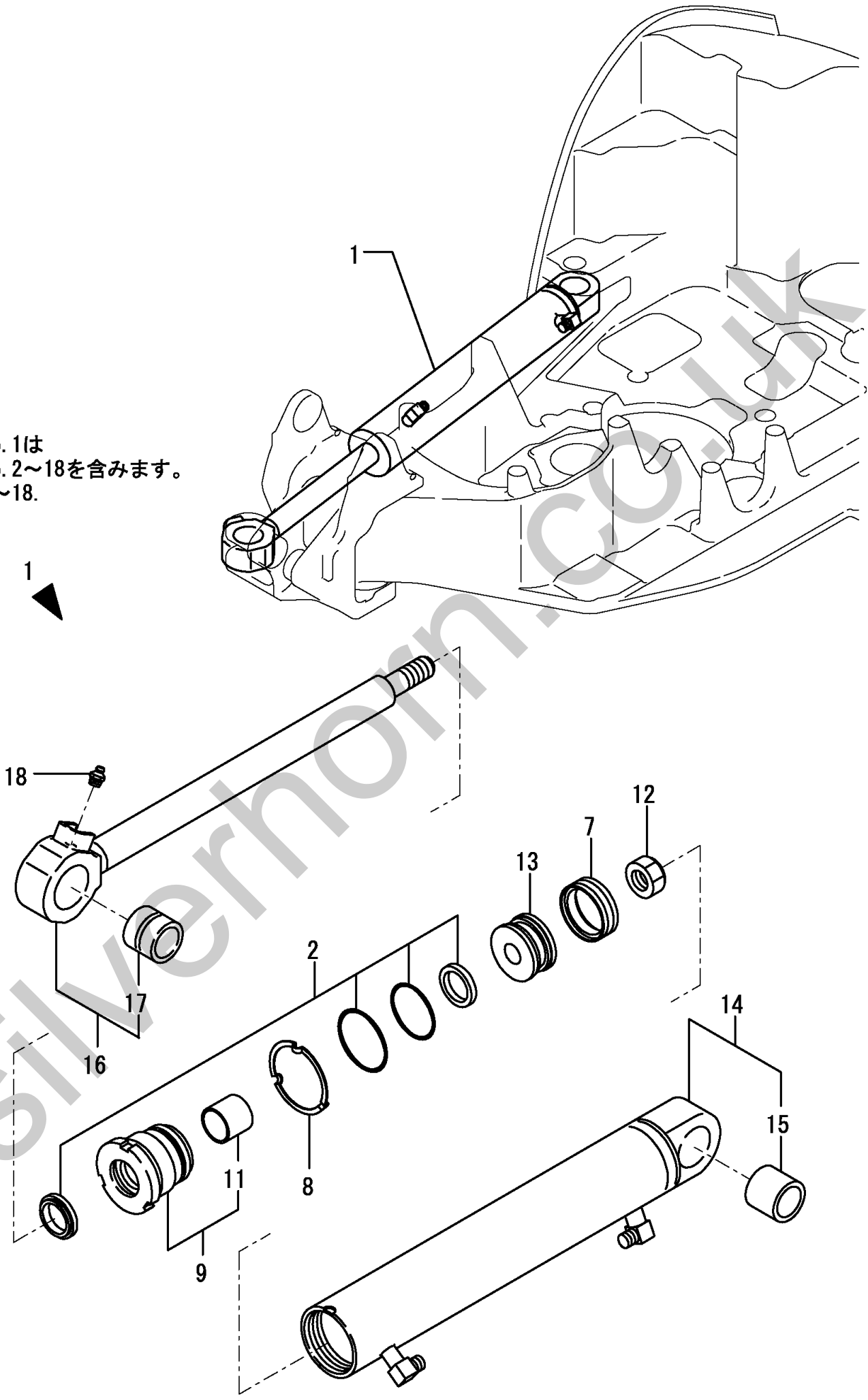
見出しNo. 1は
見出しNo. 2~17を含みます。
1 INC. 2~17.



1,1,,172446-72800,, "CYLINDER, SWING (87)",1,1,,,,,,,,,,,,,
2,2,,172449-72030,, "SEAL SET, HEAD(55-30",1,1,,,,,,,,,,,,,
7,2,,172449-72320,, "GASKET RGU 55",1,1,,,,,,,,,,,,,
8,2,,172173-72550,, "ROCK WASHER 55",1,1,,,,,,,,,,,,,
9,2,,172449-72560,, "HEAD CMP 55 30",1,1,,,,,,,,,,,,,
11,3,,933111-01800,, "BUSH 30 30",1,,,,,,,,,,,,,
11-1,3,,24550-030300,, "BUSH 30X30",1,1,,,,,R,,A1686116,M/#01762,,,,,,,,,I
12,2,,172141-72580,, "NUT M20",1,1,,,,,,,,,,,,,
13,2,,172449-72680,, "PISTON 55(20-28",1,1,,,,,,,,,,,,,
14,2,,172446-72830,, "TUBE, SWING(YELLOW:87",1,1,,,,,,,,,,,,,
15,3,,172186-72910,, "BUSH",1,1,,,,,,,,,,,,,
16,2,,172446-72870,, "ROD, SWING",1,1,,,,,724460160,,724460160,,,,,,,,,I
17,3,,933125-05300,, "BUSHING 30 34.5B",1,1,,,,,,,,,,,,,
18,2,,24761-020000,, "NIPPLE PT1/8, GREASE",1,1,,,,,,,,,,,,,

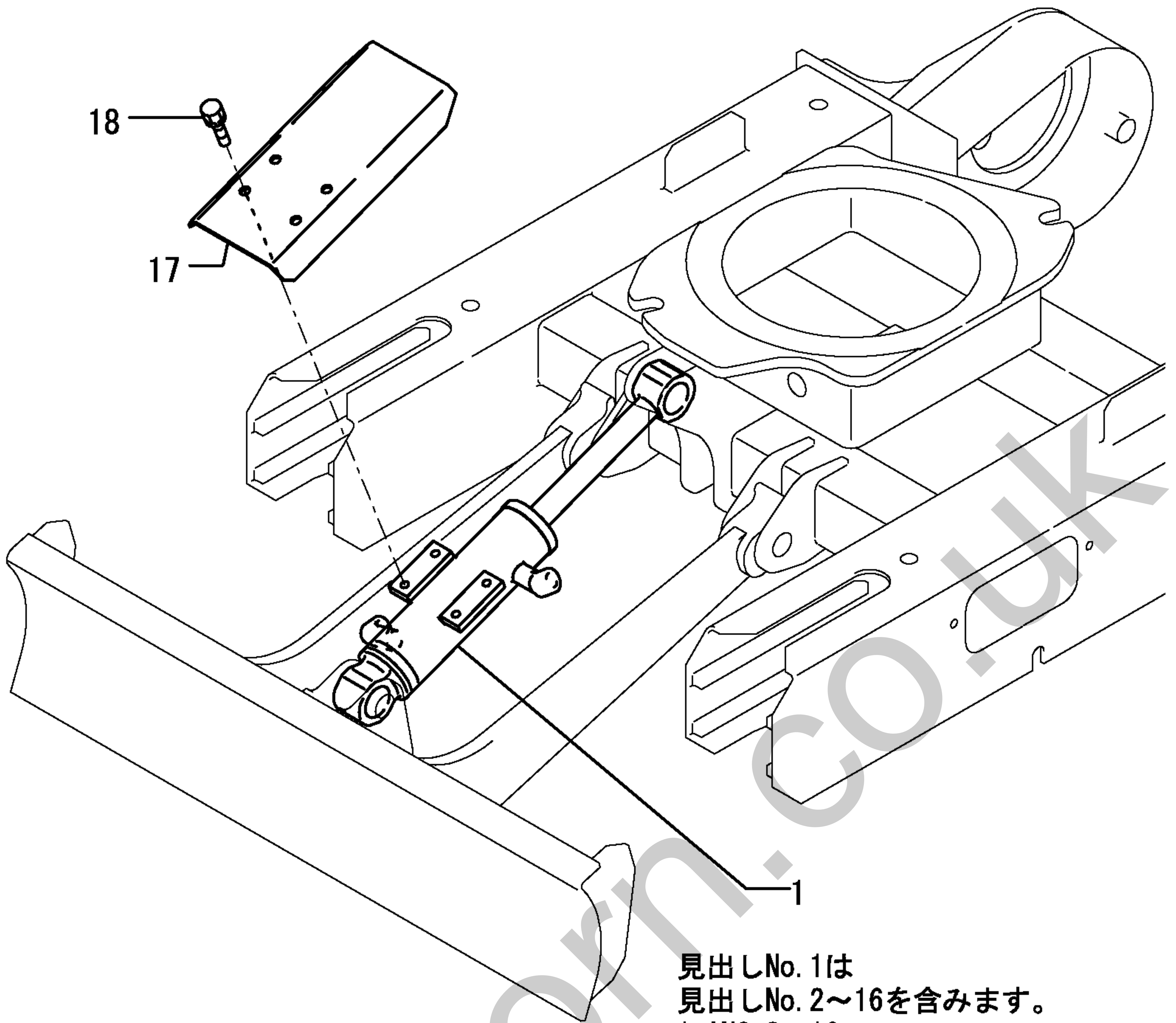
Silverhorn.CO.UK

見出しNo. 1は
見出しNo. 2~18を含みます。
1 INC. 2~18.

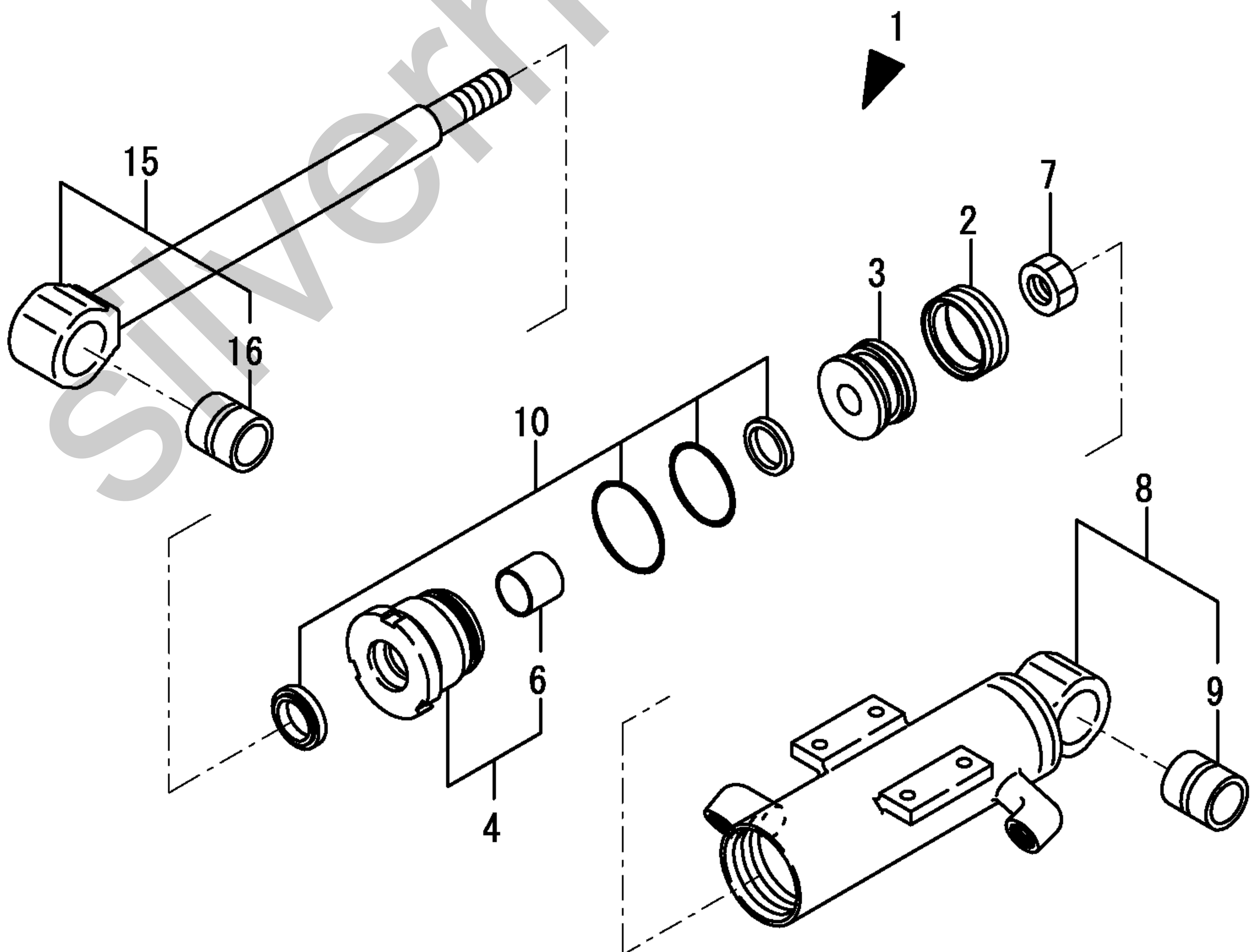


1,1,,172446-72700,, "CYLINDER, BLADE (88)",1,1,,,,,,,,,,,,,
2,2,,172447-72320,, "GASKET RGU 50",1,1,,,,,,,,,,,,,
3,2,,172447-72530,, "PISTON 50 18X28",1,1,,,,,,,,,,,,,
4,2,,172157-72620,, "HEAD 5025 B W/BUSH",1,1,,,,,,,,,,,,,
6,3,,933111-01700,, "BUSH 25 25, ROD",1,,,,,,,,,,,,,
6-1,3,,24550-025250,, "BUSH 25X25",1,1,,,,,R,,A1686116,M/#01762,,,,,,I
7,2,,172157-72730,, "U-NUT M18",1,1,,,,,,,,,,,,,
8,2,,172446-72730,, "TUBE, BLADE (GREEN:88)",1,1,,,,,,,,,,,,,
9,3,,172156-72410,, "PIN BUSH 25 35 A",1,1,,,,,,,,,,,,,
10,2,,172157-72020,, "SEAL SET 50B, HEAD",1,1,,,,,,,,,,,,,
15,2,,172446-72770,, "ROD, BLADE",1,1,,,,,,,,,,,,,
16,3,,172156-72410,, "PIN BUSH 25 35 A",1,1,,,,,,,,,,,,,
17,1,,172447-72790-2,, "PROTECTOR (GREEN:88)",1,1,,,,,,,,,,,,,
18,1,,26013-080162,, "BOLT W/WASHER M8X16",4,4,,,,,,,,,,,,,

Silverhorn.CO.UK



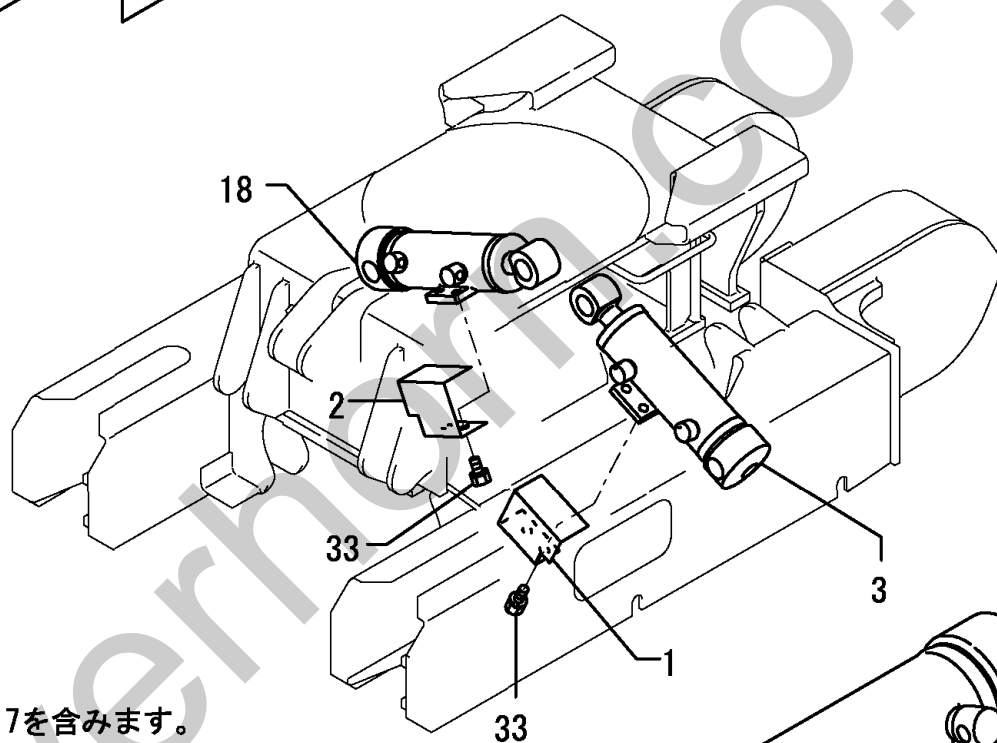
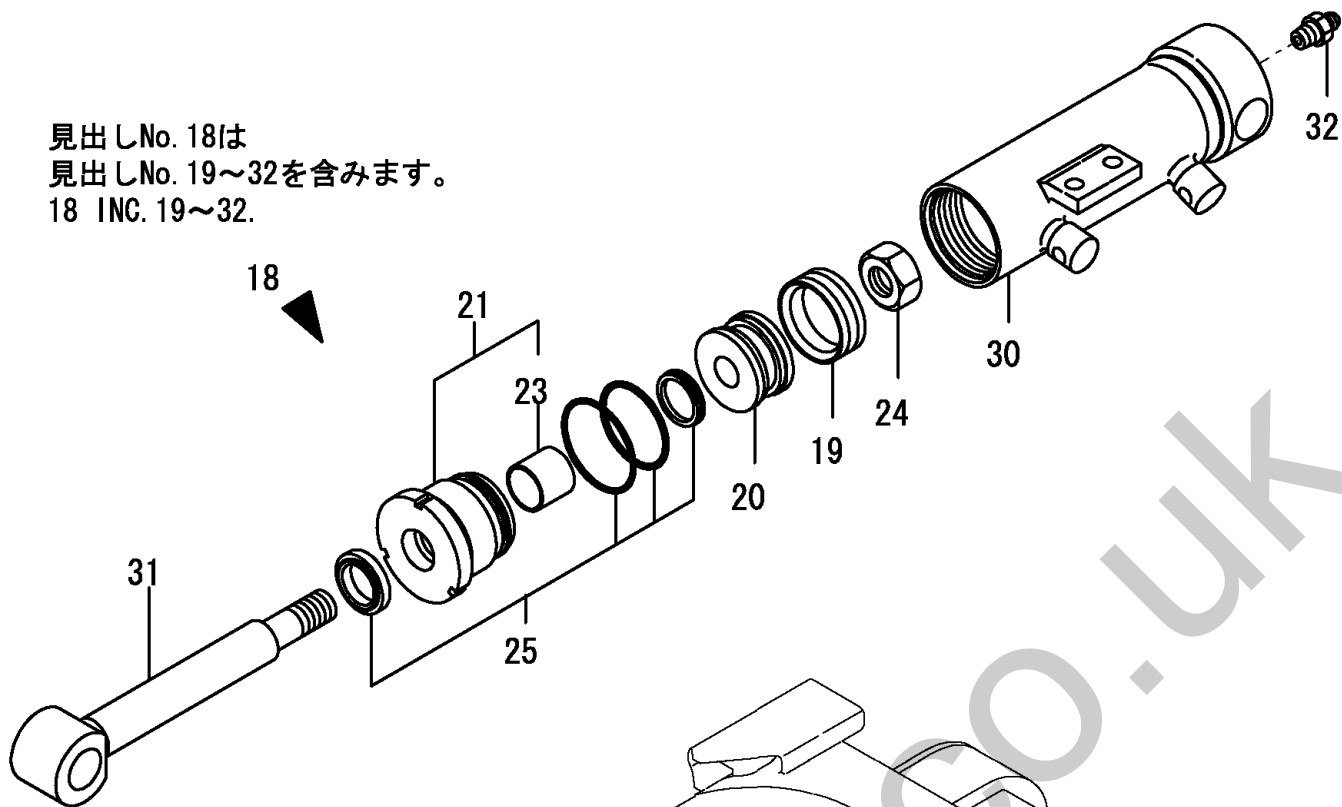
見出しNo. 1は
見出しNo. 2~16を含みます。
1 INC. 2~16.



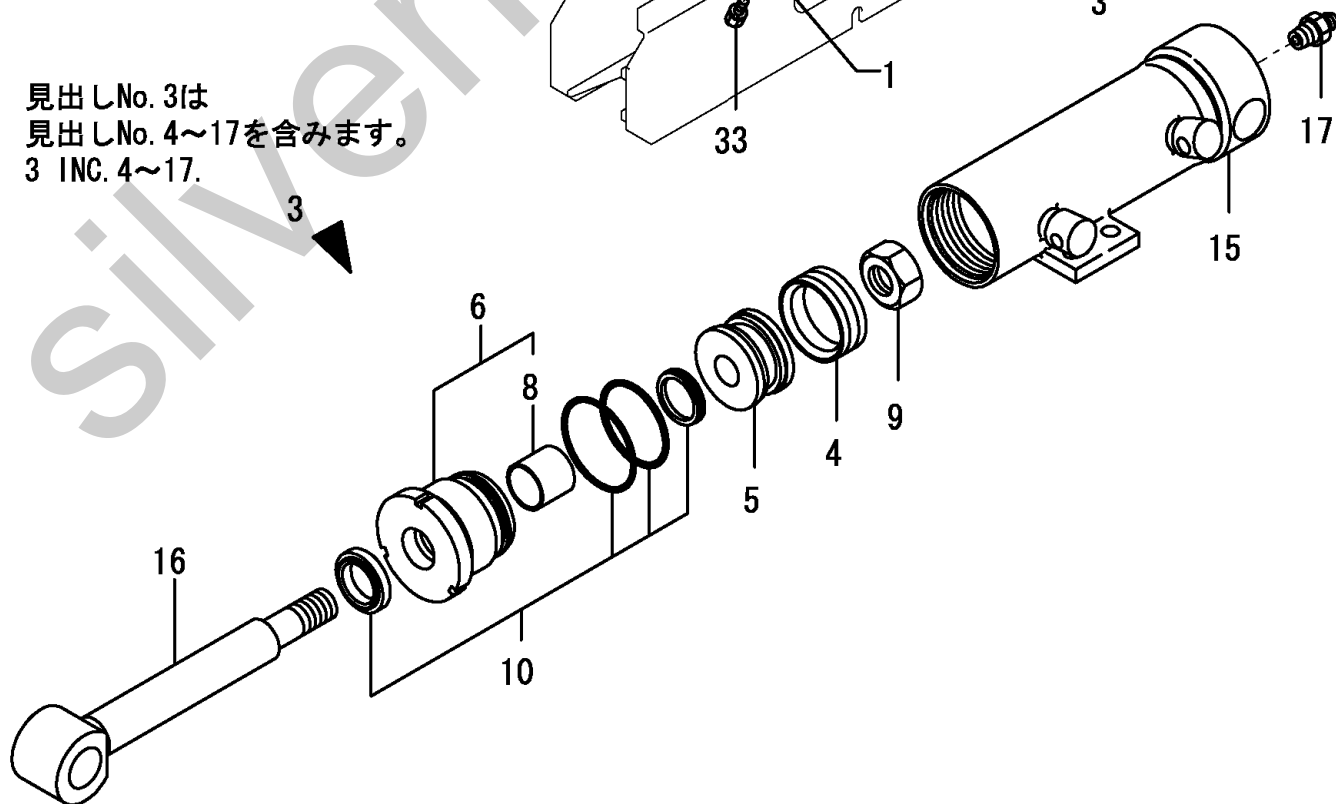
1,1,,172157-72831-2,, "COVER L (GREEN:88)",1,,,,,,,,,,,,,
1-1,1,,172446-73010-2,, "COVER ASSY, L",1,1,,,,,N,,72446107,M/#01302,,,,,,,,,I
2,1,,172157-72841-2,, "COVER R (GREEN:88)",1,,,,,,,,,,,,,
2-1,1,,172446-73030,, "COVER R ASSY",1,1,,,,,N,,72446107,M/#01302,,,,,,,,,I
3,1,,172446-72900,, "CYLINDER L,W/S (88)",1,1,,,,,,,,,,,,,
4,2,,172447-72320,, "GASKET RGU 50",1,1,,,,,,,,,,,,,
5,2,,172447-72530,, "PISTON 50 18X28",1,1,,,,,,,,,,,,,
6,2,,172157-72620,, "HEAD 5025 B W/BUSH",1,1,,,,,,,,,,,,,
8,3,,933111-01700,, "BUSH 25 25, ROD",1,,,,,,,,,,,,,
8-1,3,,24550-025250,, "BUSH 25X25",1,1,,,,,R,,A1686116,M/#01762,,,,,,,,,I
9,2,,172157-72730,, "U-NUT M18",1,1,,,,,,,,,,,,,
10,2,,172157-72020,, "SEAL SET 50B, HEAD",1,1,,,,,,,,,,,,,
15,2,,172446-72910,, "TUBE L,W/S(GREEN:88)",1,1,,,,,,,,,,,,,
16,2,,172446-72970,, "ROD",1,1,,,,,,,,,,,,,
17,2,,24761-020000,, "NIPPLE PT1/8,GREASE",1,1,,,,,,,,,,,,,
18,1,,172446-72940,, "CYLINDER R,W/S (88)",1,1,,,,,,,,,,,,,
19,2,,172447-72320,, "GASKET RGU 50",1,1,,,,,,,,,,,,,
20,2,,172447-72530,, "PISTON 50 18X28",1,1,,,,,,,,,,,,,
21,2,,172157-72620,, "HEAD 5025 B W/BUSH",1,1,,,,,,,,,,,,,
23,3,,933111-01700,, "BUSH 25 25, ROD",1,1,,,,,,,,,,,,,
24,2,,172157-72730,, "U-NUT M18",1,1,,,,,,,,,,,,,
25,2,,172157-72020,, "SEAL SET 50B, HEAD",1,1,,,,,,,,,,,,,
30,2,,172446-72950,, "TUBE R,W/S(GREEN:88)",1,1,,,,,,,,,,,,,
31,2,,172446-72970,, "ROD",1,1,,,,,,,,,,,,,
32,2,,24761-020000,, "NIPPLE PT1/8,GREASE",1,1,,,,,,,,,,,,,
33,1,,26013-100162,, "BOLT M10X 16",4,4,,,,,,,,,,,,,

Silverhorn.co.uk

見出しNo. 18は
見出しNo. 19~32を含みます。
18 INC. 19~32.

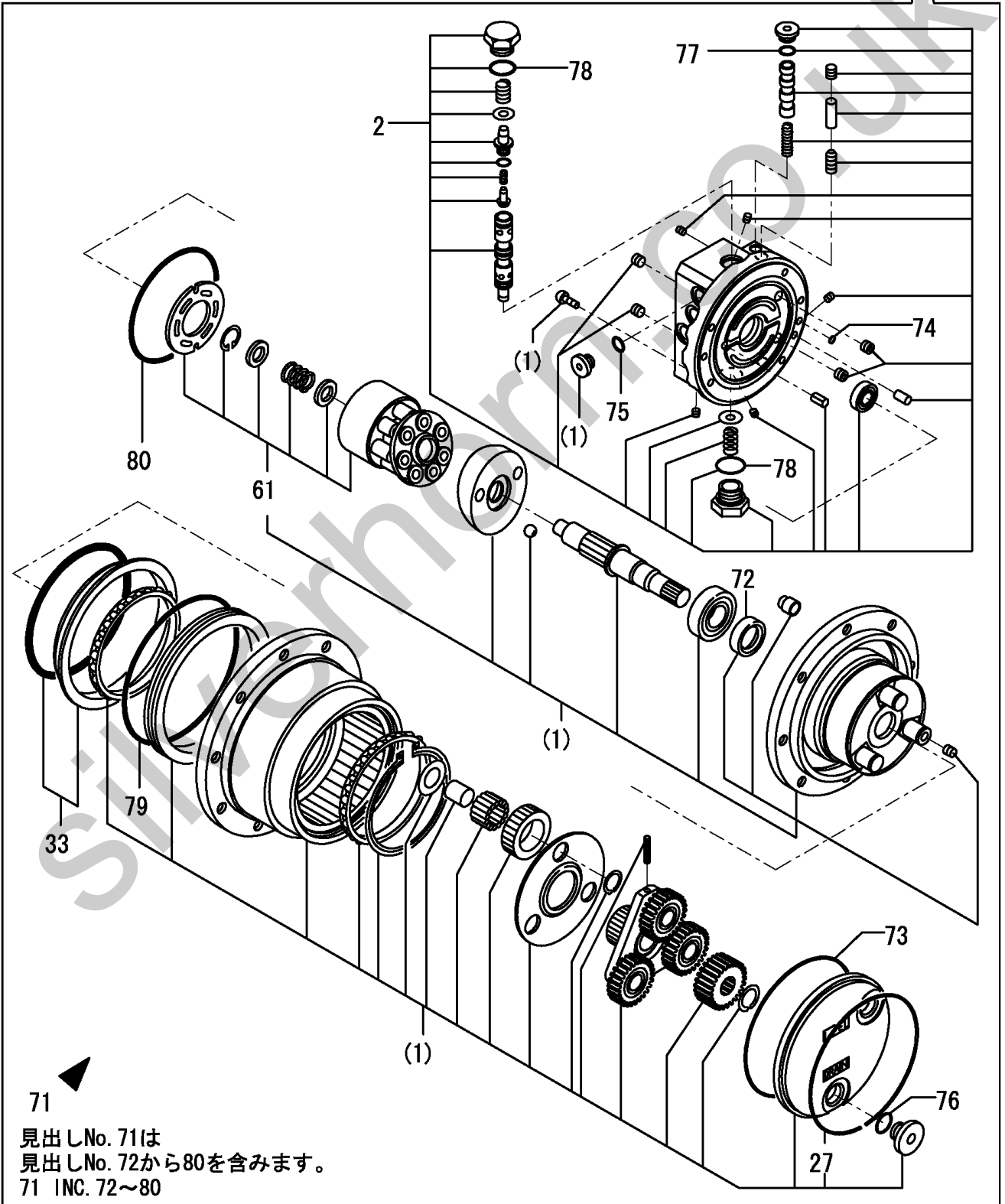
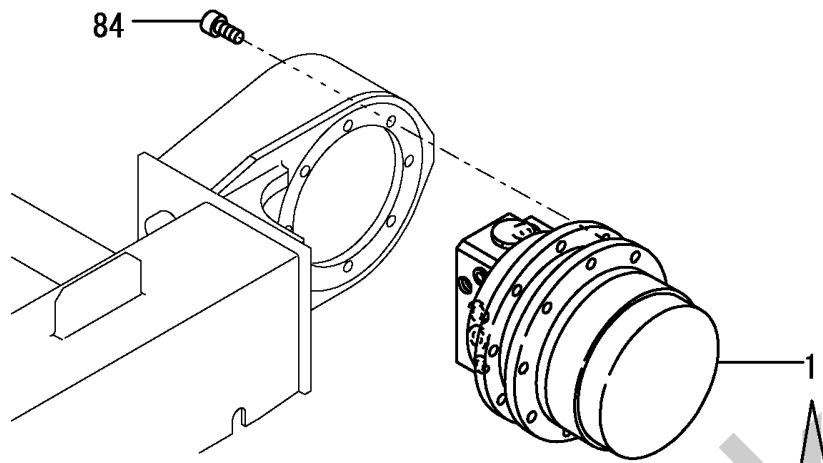


見出しNo. 3は
見出しNo. 4~17を含みます。
3 INC. 4~17.



1,1,,172447-73300,, "MOTOR CMP,TRAVEL",2,2,,,,,,,,,,,,,,,,,
2,2,,172447-53560,, "PLATE ASSY,BASE",2,2,,,,,,,,,,,,,,,,,
27,2,,172157-70090,, "SNAP RING",2,2,,,,,,,,,,,,,,,,,
33,2,,172447-73170,, SEAL,2,2,,,,,,,,,,,,,,,,,
61,2,,172447-73580,, "CYLINDER BARREL ASSY",2,2,,,,,,,,,,,,,,,,,
71,2,,172447-73590,, "ORING KIT",2,2,,,,,,,,,,,,,,,,,
72,3,,172186-73230,, "OIL SEAL",2,2,,,,,,,,,,,,,,,,,
73,3,,172447-73500,, O-RING,2,2,,,,,,,,,,,,,,,,,
74,3,,24315-000060,, "O-RING 1B P-6.0",2,2,,,,,,,,,,,,,,,,,
75,3,,24315-000110,, "O-RING 1B P-11.0",4,4,,,,,,,,,,,,,,,,,
76,3,,24315-000140,, "O-RING 1B P-14.0",4,4,,,,,,,,,,,,,,,,,
77,3,,24315-000140,, "O-RING 1B P-14.0",4,4,,,,,,,,,,,,,,,,,
78,3,,24315-000180,, "O-RING 1B P-18.0",4,4,,,,,,,,,,,,,,,,,
79,3,,24321-001300,, "O-RING 1A G-130.0",2,2,,,,,,,,,,,,,,,,,
80,3,,24325-001050,, "PACKING G105",2,2,,,,,,,,,,,,,,,,,
84,1,,26450-100252,, "BOLT M10X 25",16,16,,,,,,,,,,,,,,,,,

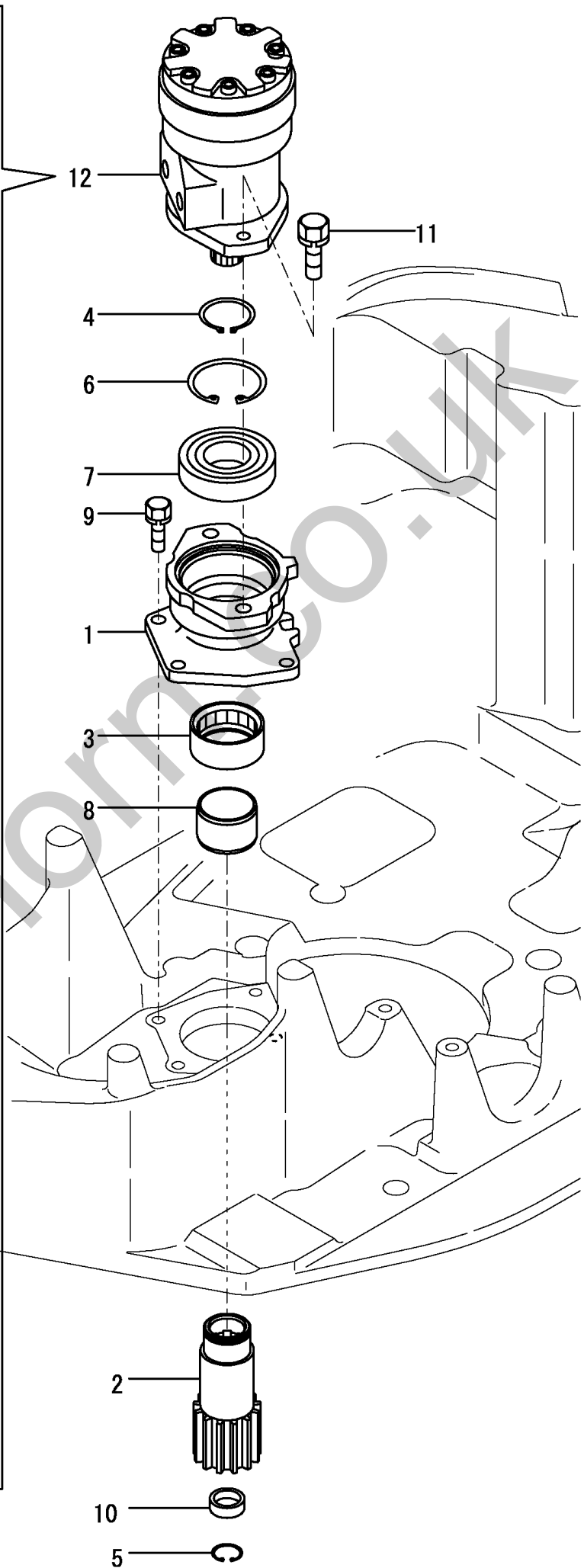
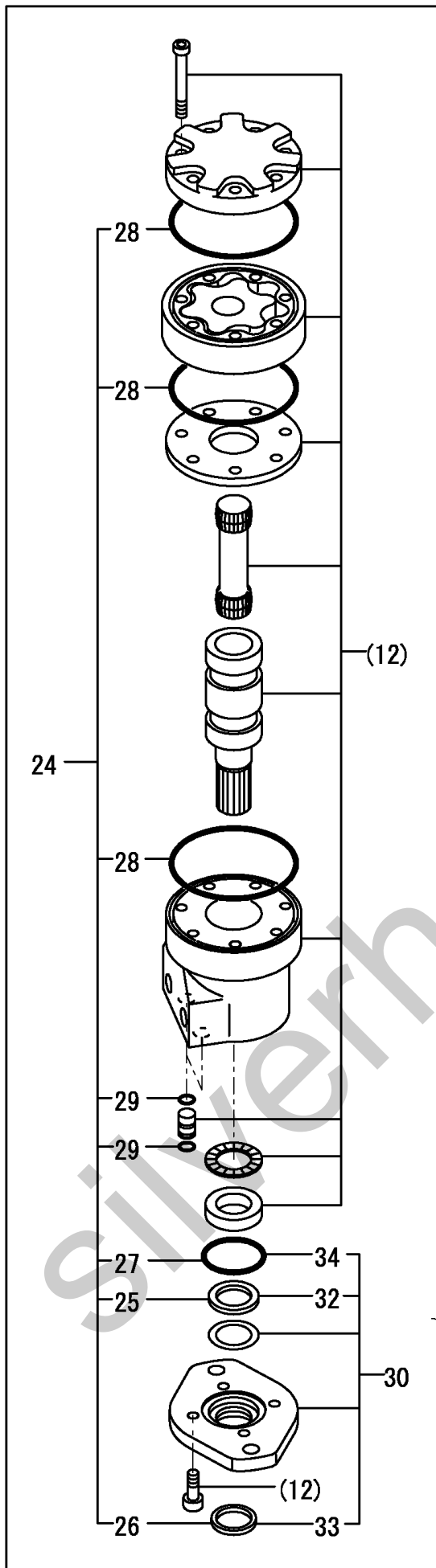
Silverhorn.CO.UK



71
 見出しNo. 71は
 見出しNo. 72から80を含みます。
 71 INC. 72~80

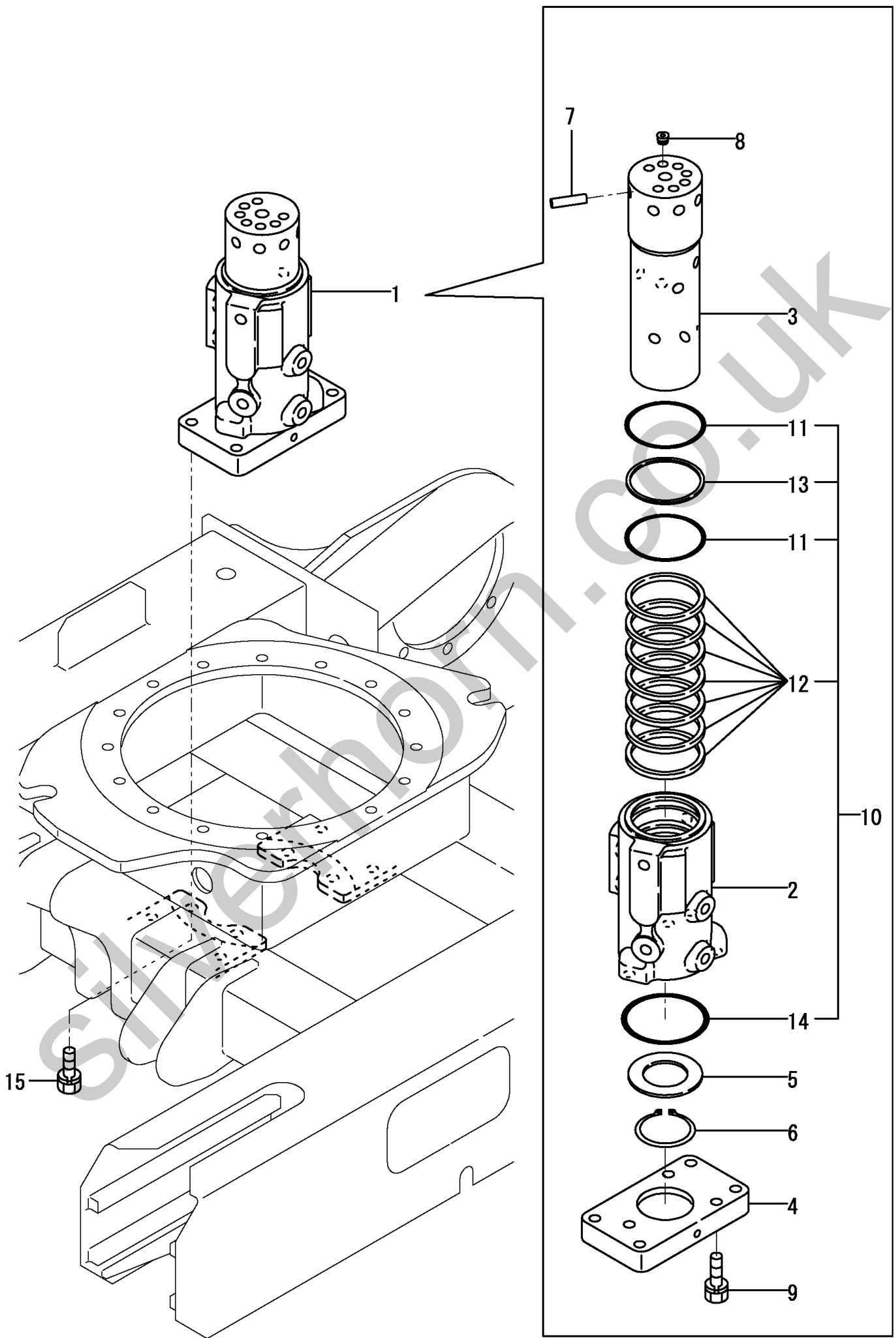
1,1,,172446-57300,, "BEARING RETAINER(88)",1,1,
2,1,,172157-57310,, "PINION 13T",1,1,
3,1,,172157-57360,, "NEEDLE BEARING",1,1,
4,1,,22242-000350,, "CIRCLIP 35",1,1,
5,1,,22252-000260,, "CIRCLIP 26",1,1,
6,1,,22252-000720,, "CIRCLIP 72",1,1,
7,1,,24101-062074,, "BALL BEARING",1,1,
8,1,,24163-405300,, "BEARING, INNER",1,1,
9,1,,26013-100252,, "BOLT W/WASHER M10X25",4,4,
10,1,,27260-260000,, "PLUG 26,BORE",1,1,
11,1,,26013-120352,, "BOLT M12X 35",2,2,
12,1,,172446-73310,, "MOTOR CMP,TURNING",1,1,
24,2,,172131-73551,, "SEAL KIT, MOTOR",1,1,I
25,3,,172131-73501,, "SEAL, OIL",1,1,I
26,3,,172131-73510,, "SEAL,DUST",1,1,I
27,3,,172131-73520,, O-RING,1,1,I
28,3,,172131-73530,, O-RING,3,3,I
29,3,,172131-73540,, O-RING,4,4,I
30,2,,172131-73931,, FLANGE,1,1,I
32,3,,172131-73501,, "SEAL, OIL",1,1,I
33,3,,172131-73510,, "SEAL,DUST",1,1,I
34,3,,172131-73520,, O-RING,1,1,I

Silverhorn.CO.UK



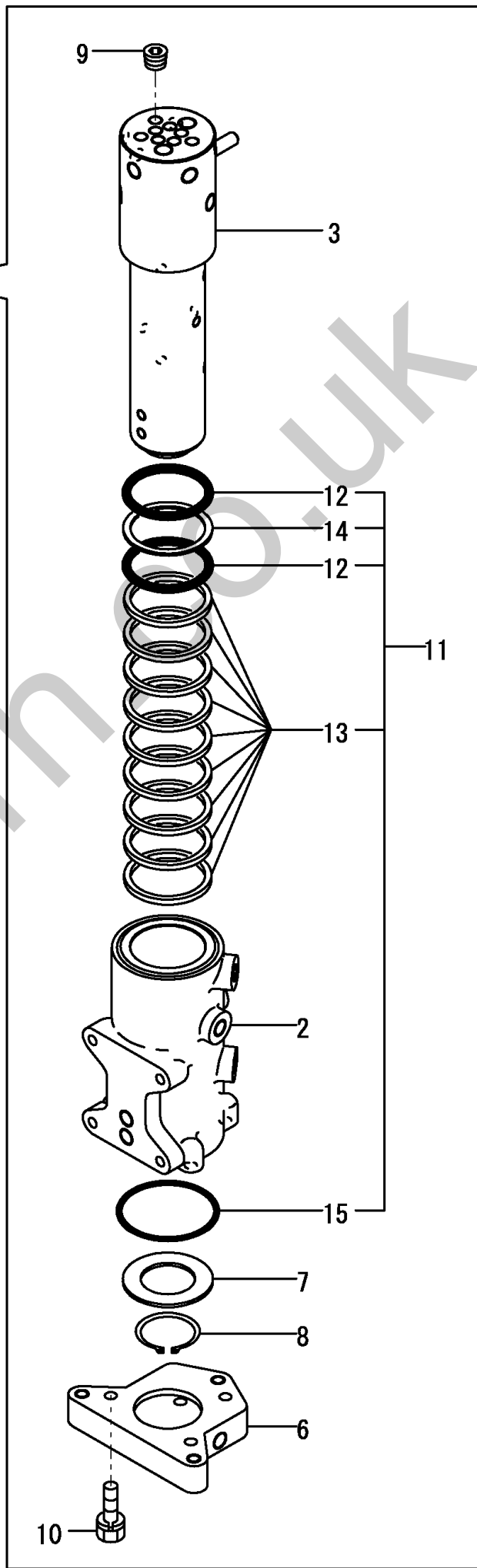
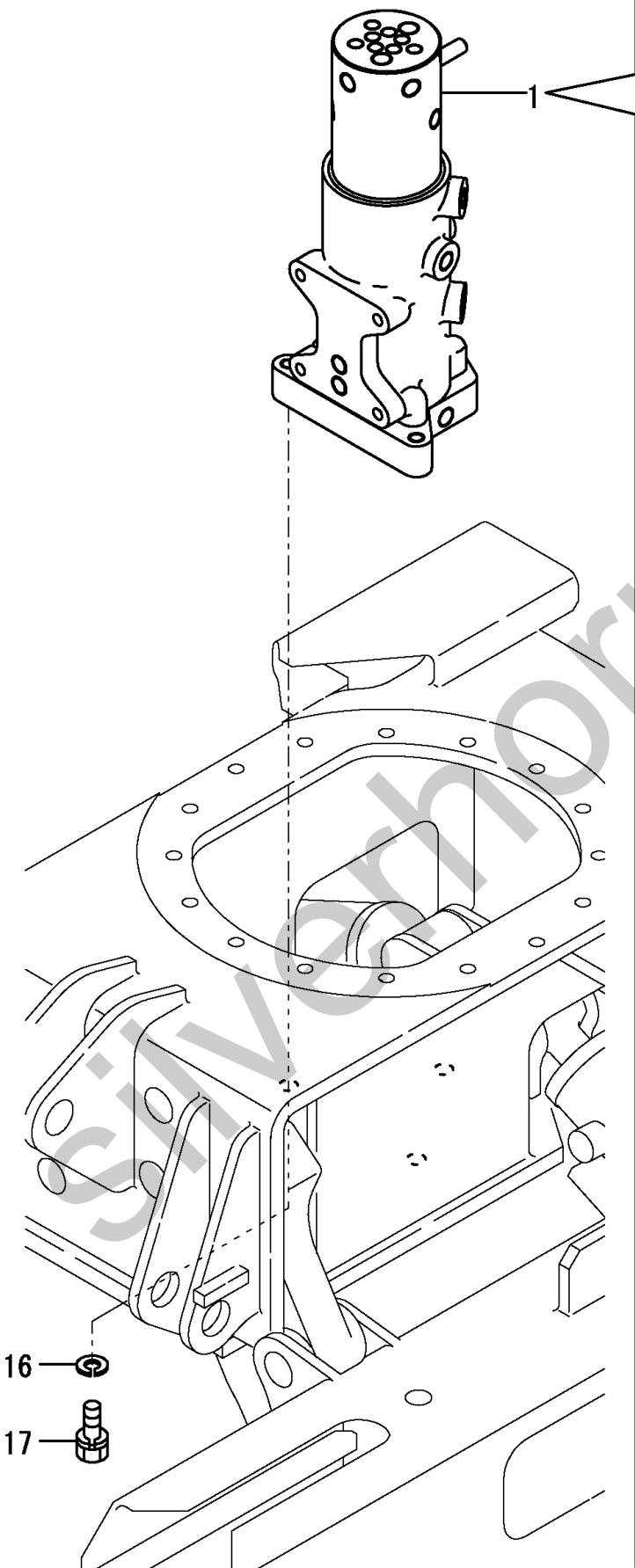
1,1,,172447-73800,, "SWIVEL CMP",1,1,,,,,,,,,,,,,,,,,,,,,
2,2,,172447-73810,, "HUB,SWIVEL",1,1,,,,,,,,,,,,,,,,,,,,,
3,2,,172447-73820,, "SHAFT,SWIVEL",1,1,,,,,,,,,,,,,,,,,,,,,
4,2,,172447-73830,, "FLANGE,SWIVEL",1,1,,,,,,,,,,,,,,,,,,,,,
5,2,,172157-73910,, "SPACER, SWIVEL",1,1,,,,,,,,,,,,,,,,,,,,,
6,2,,22242-000401,, "CIRCLIP 40-S",1,1,,,,,,,,,,,,,,,,,,,,,
7,2,,22312-100320,, "PARALLEL PIN 10X32",1,1,,,,,,,,,,,,,,,,,,,,,
8,2,,23871-010000,, "PLUG PT1/8,SCREW",7,7,,,,,,,,,,,,,,,,,,,,,
9,2,,26013-080352,, "BOLT M 8X 35",3,3,,,,,,,,,,,,,,,,,,,,,
10,2,,172447-73880,, "SEAL SET,SWIVEL",1,1,,,,,,,,,,,,,,,,,,,,,
11,3,,172142-73800,, "O-RING 55.76X5.7",2,2,,,,,,,,,,,,,,,,,,,,,
12,3,,172458-73820,, "SEAL, SWIVEL",7,7,,,,,,,,,,,,,,,,,,,,,
13,3,,172148-73870,, "LING EL, BUCK UP",1,1,,,,,,,,,,,,,,,,,,,,,
14,3,,24321-000700,, "O-RING 1A G70.0,NBR",1,1,,,,,,,,,,,,,,,,,,,,,
15,1,,26013-100302,, "BOLT M10X 30",4,4,,,,,,,,,,,,,,,,,,,,,

Silverhorn.CO.UK



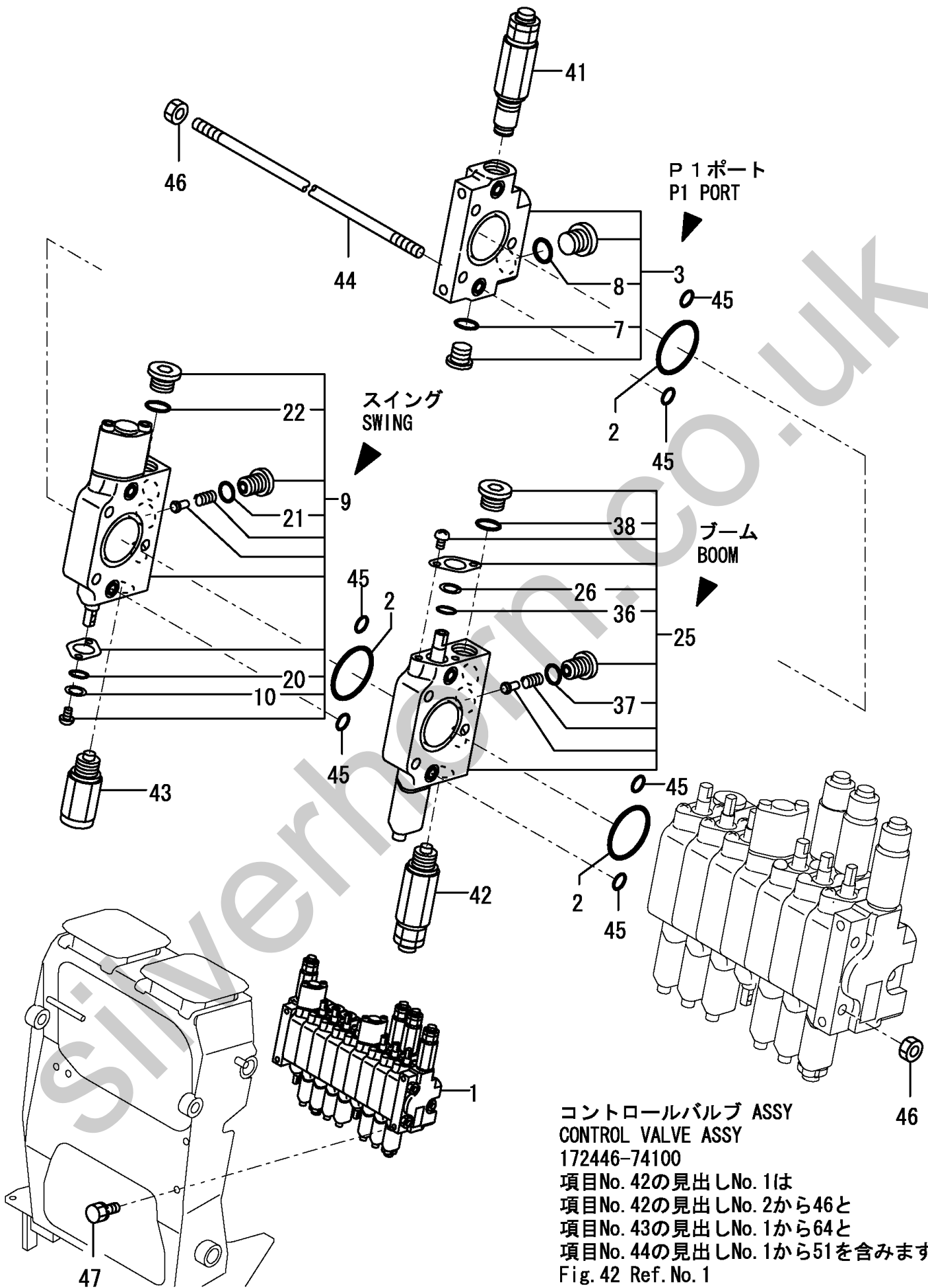
1,1,,172446-73850,,SWIVEL,1,1,,,,,,,,,,,,,,,,,,,,,
2,2,,172446-73860,, "HUB,SWIVEL",1,1,,,,,,,,,,,,,,,,,,,,,
3,2,,172446-73870,, "SHAFT,SWIVEL",1,1,,,,,,,,,,,,,,,,,,,,,
6,2,,172446-73890,, "FLANGE,SWIVEL",1,1,,,,,,,,,,,,,,,,,,,,,
7,2,,172157-73910,, "SPACER, SWIVEL",1,1,,,,,,,,,,,,,,,,,,,,,
8,2,,22242-000401,, "CIRCLIP 40-S",1,1,,,,,,,,,,,,,,,,,,,,,
9,2,,23871-010000,, "PLUG PT1/8,SCREW",8,8,,,,,,,,,,,,,,,,,,,,,
10,2,,26013-080352,, "BOLT M 8X 35",3,3,,,,,,,,,,,,,,,,,,,,,
11,2,,172446-73900,, "SEAL SET,SWIVEL",1,1,,,,,,,,,,,,,,,,,,,,,
12,3,,172142-73800,, "O-RING 55.76X5.7",2,2,,,,,,,,,,,,,,,,,,,,,
13,3,,172458-73820,, "SEAL, SWIVEL",9,9,,,,,,,,,,,,,,,,,,,,,
14,3,,172148-73870,, "LING EL, BUCK UP",1,1,,,,,,,,,,,,,,,,,,,,,
15,3,,24321-000700,, "O-RING 1A G70.0,NBR",1,1,,,,,,,,,,,,,,,,,,,,,
16,1,,22217-100000,, "SPRING WASHER 10",3,3,,,,,,,,,,,,,,,,,,,,,
17,1,,26072-100302,, "BOLT 10* 30",3,3,,,,,,,,,,,,,,,,,,,,,

Silverhorn.CO.UK



1,1,,172446-74100,, "CONTROL VALVE",1,,,,,,,,,,,,,,,,,,,,,
2,2,,172157-70710,, "O-RING",3,,,,,,,,,,,,,,,,,,,,,,,,,I
3,2,,172446-74120,, "P1 SECTION ASSY",1,,,,,,,,,,,,,,,,,,,,,I
7,3,,24315-000110,, "O-RING 1B P-11.0",1,,,,,,,,,,,,,,,,,,,,,I
8,3,,24315-000140,, "O-RING 1B P-14.0",1,,,,,,,,,,,,,,,,,,,,,I
9,2,,172446-74130,, "SWING SECTION ASSY",1,,,,,,,,,,,,,,,,,,,,,I
10,3,,172157-70630,, "BAC UP RING",1,,,,,,,,,,,,,,,,,,,,,I
20,3,,24311-240100,, "O-RING 1A P-10A",1,,,,,,,,,,,,,,,,,,,,,I
21,3,,24315-000110,, "O-RING 1B P-11.0",1,,,,,,,,,,,,,,,,,,,,,I
22,3,,24315-000140,, "O-RING 1B P-14.0",1,,,,,,,,,,,,,,,,,,,,,I
25,2,,172446-74140,, "BOOM SECTION ASSY",1,,,,,,,,,,,,,,,,,,,,,I
26,3,,172157-70630,, "BAC UP RING",1,,,,,,,,,,,,,,,,,,,,,I
36,3,,24311-240100,, "O-RING 1A P-10A",1,,,,,,,,,,,,,,,,,,,,,I
37,3,,24315-000110,, "O-RING 1B P-11.0",1,,,,,,,,,,,,,,,,,,,,,I
38,3,,24315-000140,, "O-RING 1B P-14.0",1,,,,,,,,,,,,,,,,,,,,,I
41,2,,172446-74220,, "MAIN RELIEF VALVE",1,,,,,,,,,,,,,,,,,,,,,I
42,2,,172446-74230,, "OVERLOAD, 230",1,,,,,,,,,,,,,,,,,,,,,I
43,2,,172447-74230,, "ANTI-CAVITATION",1,,,,,,,,,,,,,,,,,,,,,I
44,2,,172186-74800,, "BOLT",3,,,,,,,,,,,,,,,,,,,,,I
45,2,,24315-000100,, "O-RING 1B P-10.0",6,,,,,,,,,,,,,,,,,,,,,I
46,2,,26716-080002,, "NUT M 8",6,,,,,,,,,,,,,,,,,,,,,I
47,1,,26013-080162,, "BOLT W/WASHER M8X16",3,,,,,,,,,,,,,,,,,,,,,

Silverhorn.CO.UK

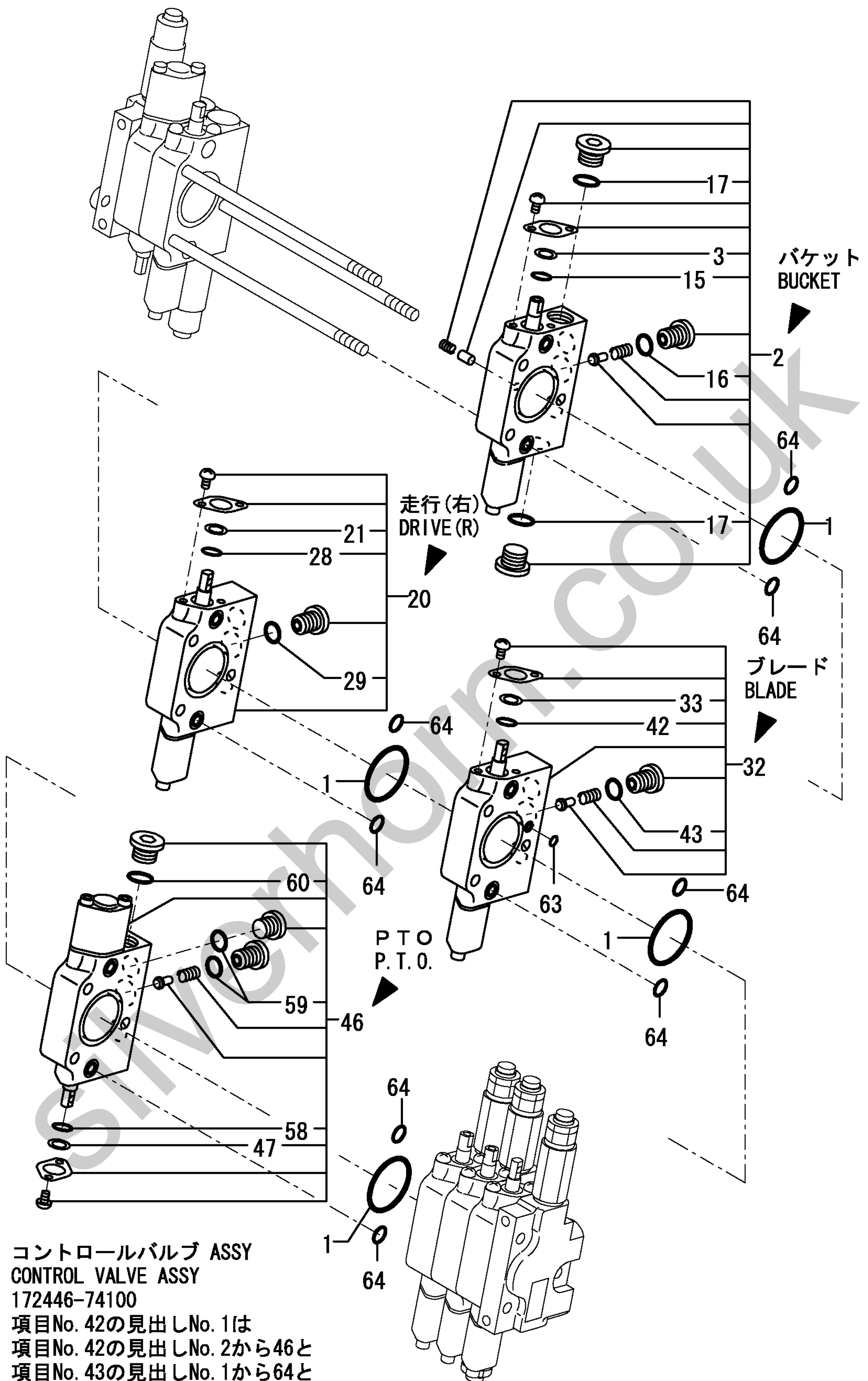


コントロールバルブ ASSY
CONTROL VALVE ASSY
172446-74100

項目No. 42の見出しNo. 1は
項目No. 42の見出しNo. 2から46と
項目No. 43の見出しNo. 1から64と
項目No. 44の見出しNo. 1から51を含みます。
Fig. 42 Ref. No. 1
inc. Fig. 42 Ref. No. 2~46
Fig. 43 Ref. No. 1~64
Fig. 44 Ref. No. 1~51

1,2,,172157-70710,,O-RING,4,,,,,,,,,,,,,I
2,2,,172446-74150,, "BUCKET SECTION ASSY",1,,,,,,,,,,,,,I
3,3,,172157-70630,, "BAC UP RING",1,,,,,,,,,,,,,I
15,3,,24311-240100,, "O-RING 1A P-10A",1,,,,,,,,,,,,,I
16,3,,24315-000110,, "O-RING 1B P-11.0",1,,,,,,,,,,,,,I
17,3,,24315-000140,, "O-RING 1B P-14.0",2,,,,,,,,,,,,,I
20,2,,172446-74160,, "DRIVE SECTION ASSY",2,,,,,,,,,,,,,I
21,3,,172157-70630,, "BAC UP RING",2,,,,,,,,,,,,,I
28,3,,24311-240100,, "O-RING 1A P-10A",2,,,,,,,,,,,,,I
29,3,,24315-000110,, "O-RING 1B P-11.0",2,,,,,,,,,,,,,I
32,2,,172446-74170,, "BLADE SECTION ASSY",1,,,,,,,,,,,,,I
33,3,,172157-70630,, "BAC UP RING",1,,,,,,,,,,,,,I
42,3,,24311-240100,, "O-RING 1A P-10A",1,,,,,,,,,,,,,I
43,3,,24315-000110,, "O-RING 1B P-11.0",1,,,,,,,,,,,,,I
46,2,,172446-74180,, "P.T.O. SECTION ASSY",1,,,,,,,,,,,,,I
47,3,,172157-70630,, "BAC UP RING",1,,,,,,,,,,,,,I
58,3,,24311-240100,, "O-RING 1A P-10A",1,,,,,,,,,,,,,I
59,3,,24315-000110,, "O-RING 1B P-11.0",1,,,,,,,,,,,,,I
60,3,,24315-000140,, "O-RING 1B P-14.0",1,,,,,,,,,,,,,I
63,2,,24315-000040,, "O-RING 1A-P4",1,,,,,,,,,,,,,I
64,2,,24315-000100,, "O-RING 1B P-10.0",8,,,,,,,,,,,,,I

Silverhorn.CO.UK



コントロールバルブ ASSY
CONTROL VALVE ASSY

172446-74100

項目No. 42の見出しNo. 1は
 項目No. 42の見出しNo. 2から46と
 項目No. 43の見出しNo. 1から64と
 項目No. 44の見出しNo. 1から51を含みます。

Fig. 42 Ref. No. 1

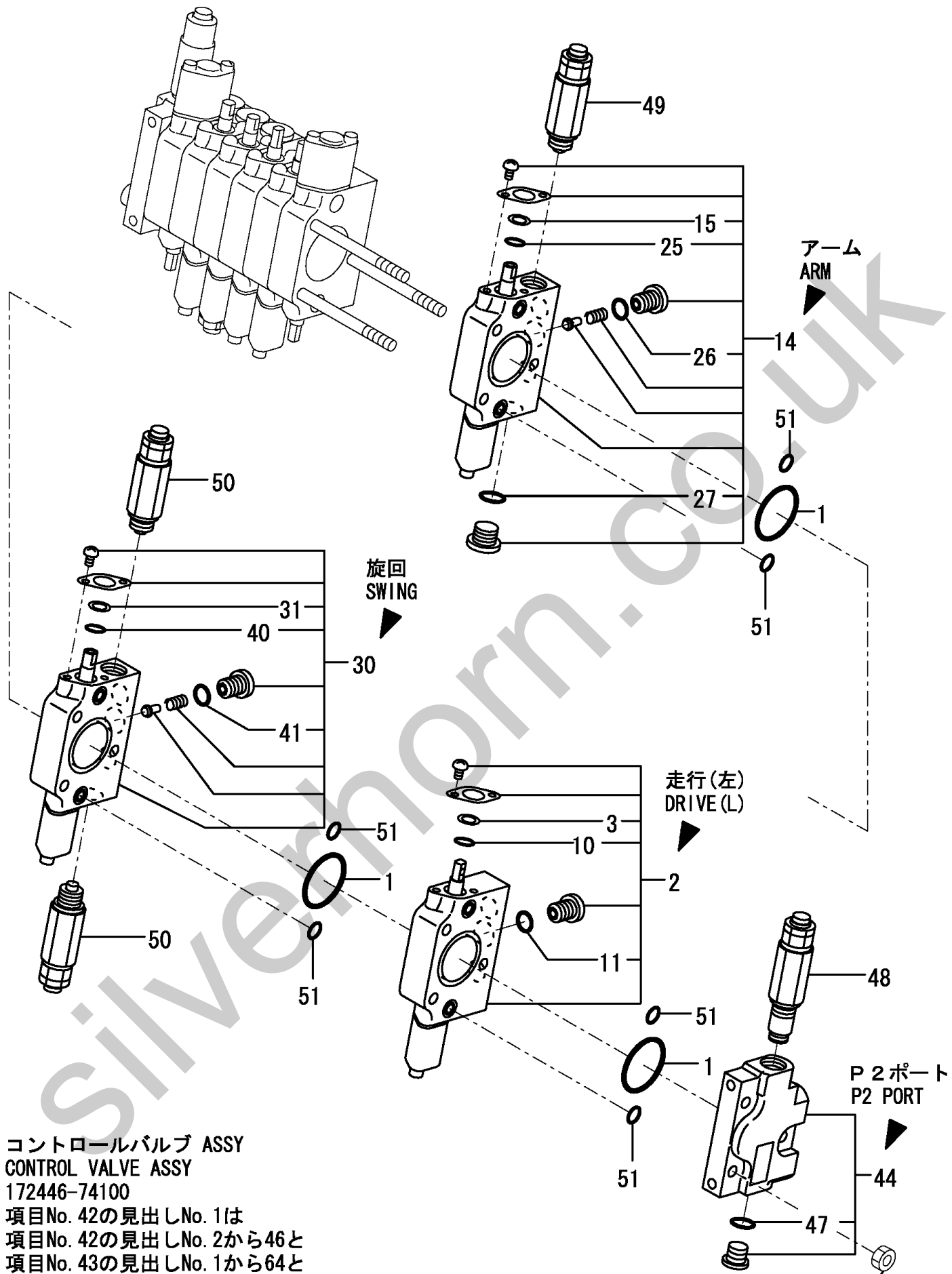
inc. Fig. 42 Ref. No. 2~46

Fig. 43 Ref. No. 1~64

Fig. 44 Ref. No. 1~51

1,2,,172157-70710,,O-RING,3,,,,,,,,,,,,,,,,,,,,,I
2,2,,172446-74160,, "DRIVE SECTION ASSY",1,,,,,,,,,,,,,,,,,,,,,I
3,3,,172157-70630,, "BAC UP RING",1,,,,,,,,,,,,,,,,,,,,,I
10,3,,24311-240100,, "O-RING 1A P-10A",1,,,,,,,,,,,,,,,,,,,,,I
11,3,,24315-000110,, "O-RING 1B P-11.0",1,,,,,,,,,,,,,,,,,,,,,I
14,2,,172446-74190,, "ARM SECTION ASSY",1,,,,,,,,,,,,,,,,,,,,,I
15,3,,172157-70630,, "BAC UP RING",1,,,,,,,,,,,,,,,,,,,,,I
25,3,,24311-240100,, "O-RING 1A P-10A",1,,,,,,,,,,,,,,,,,,,,,I
26,3,,24315-000110,, "O-RING 1B P-11.0",1,,,,,,,,,,,,,,,,,,,,,I
27,3,,24315-000140,, "O-RING 1B P-14.0",1,,,,,,,,,,,,,,,,,,,,,I
30,2,,172446-74200,, "TURNING SECTION ASSY",1,,,,,,,,,,,,,,,,,,,,,I
31,3,,172157-70630,, "BAC UP RING",1,,,,,,,,,,,,,,,,,,,,,I
40,3,,24311-240100,, "O-RING 1A P-10A",1,,,,,,,,,,,,,,,,,,,,,I
41,3,,24315-000110,, "O-RING 1B P-11.0",1,,,,,,,,,,,,,,,,,,,,,I
44,2,,172447-74200,, "P2 SECTION",1,,,,,,,,,,,,,,,,,,,,,I
47,3,,24315-000110,, "O-RING 1B P-11.0",1,,,,,,,,,,,,,,,,,,,,,I
48,2,,172446-74220,, "MAIN RELIEF VALVE",1,,,,,,,,,,,,,,,,,,,,,I
49,2,,172446-74230,, "OVERLOAD, 230",2,,,,,,,,,,,,,,,,,,,,,I
50,2,,172446-74240,, "CVERLOAD, 70",2,,,,,,,,,,,,,,,,,,,,,I
51,2,,24315-000100,, "O-RING 1B P-10.0",6,,,,,,,,,,,,,,,,,,,,,I

Silverhorn.CO.UK



コントロールバルブ ASSY

CONTROL VALVE ASSY

172446-74100

項目No. 42の見出しNo. 1は

項目No. 42の見出しNo. 2から46と

項目No. 43の見出しNo. 1から64と

項目No. 44の見出しNo. 1から51を含みます。

Fig. 42 Ref. No. 1

inc. Fig. 42 Ref. No. 2~46

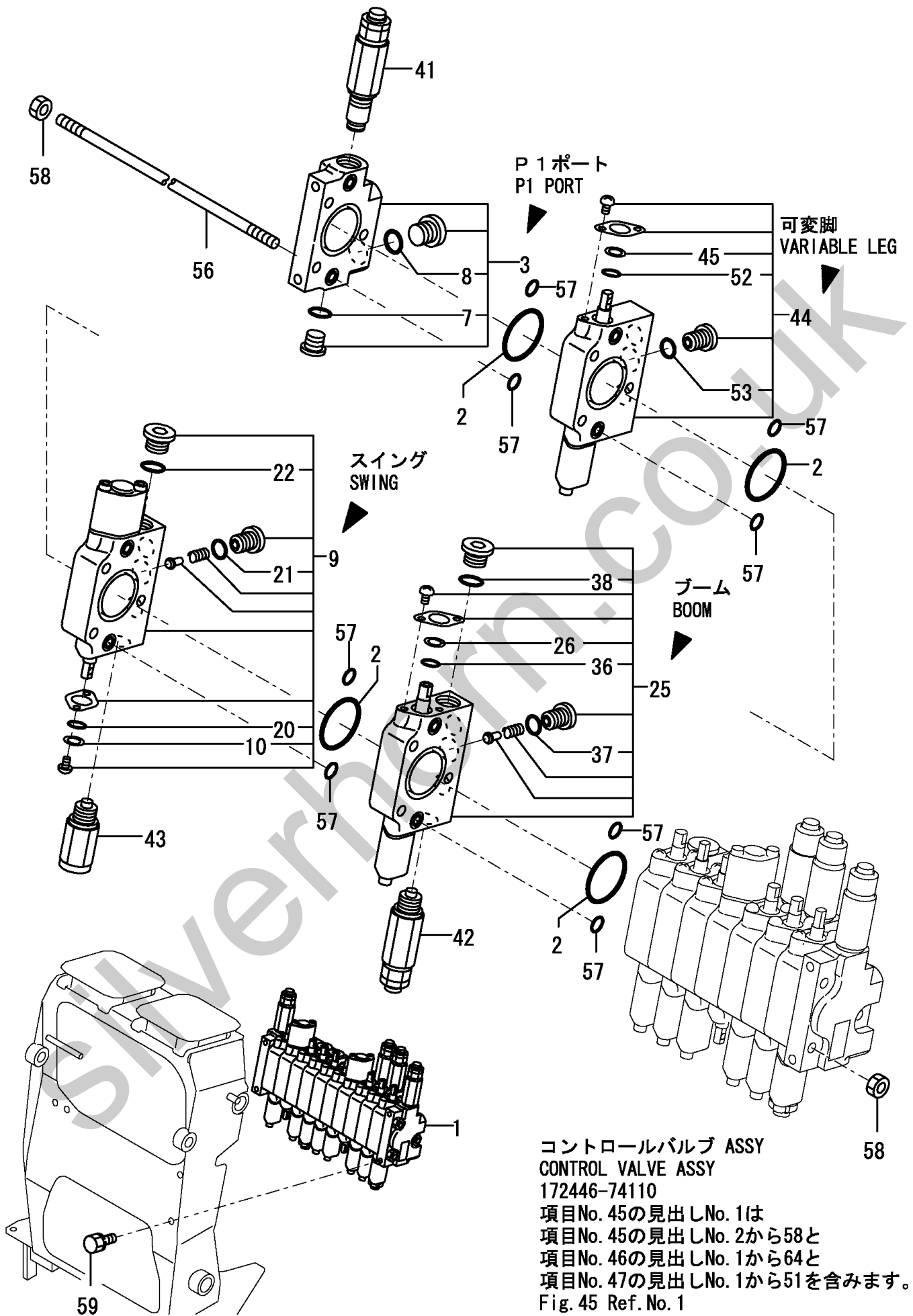
Fig. 43 Ref. No. 1~64

Fig. 44 Ref. No. 1~51

REFER TO Fig. 42

1,1,,172446-74110,, "CONTROL VALVE",1,1,,,,,,,,,,,,,I
2,2,,172157-70710,, O-RING,4,4,,,,,,,,,,,,,I
3,2,,172446-74120,, "P1 SECTION ASSY",1,1,,,,,,,,,,,,,I
7,3,,24315-000110,, "O-RING 1B P-11.0",1,1,,,,,,,,,,,,,I
8,3,,24315-000140,, "O-RING 1B P-14.0",1,1,,,,,,,,,,,,,I
9,2,,172446-74130,, "SWING SECTION ASSY",1,1,,,,,,,,,,,,,I
10,3,,172157-70630,, "BAC UP RING",1,1,,,,,,,,,,,,,I
20,3,,24311-240100,, "O-RING 1A P-10A",1,1,,,,,,,,,,,,,I
21,3,,24315-000110,, "O-RING 1B P-11.0",1,1,,,,,,,,,,,,,I
22,3,,24315-000140,, "O-RING 1B P-14.0",1,1,,,,,,,,,,,,,I
25,2,,172446-74140,, "BOOM SECTION ASSY",1,1,,,,,,,,,,,,,I
26,3,,172157-70630,, "BAC UP RING",1,1,,,,,,,,,,,,,I
36,3,,24311-240100,, "O-RING 1A P-10A",1,1,,,,,,,,,,,,,I
37,3,,24315-000110,, "O-RING 1B P-11.0",1,1,,,,,,,,,,,,,I
38,3,,24315-000140,, "O-RING 1B P-14.0",1,1,,,,,,,,,,,,,I
41,2,,172446-74220,, "MAIN RELIEF VALVE",2,2,,,,,,,,,,,,,I
42,2,,172446-74230,, "OVERLOAD, 230",2,2,,,,,,,,,,,,,I
43,2,,172447-74230,, ANTI-CAVITATION,1,1,,,,,,,,,,,,,I
44,2,,172446-74550,, "OPTION SECTION",1,1,,,,,,,,,,,,,I
45,3,,172157-70630,, "BAC UP RING",1,1,,,,,,,,,,,,,I
52,3,,24311-240100,, "O-RING 1A P-10A",1,1,,,,,,,,,,,,,I
53,3,,24315-000110,, "O-RING 1B P-11.0",1,1,,,,,,,,,,,,,I
56,2,,172446-74560,, BOLT,3,3,,,,,,,,,,,,,I
57,2,,24315-000100,, "O-RING 1B P-10.0",8,8,,,,,,,,,,,,,I
58,2,,26716-080002,, "NUT M 8",6,6,,,,,,,,,,,,,I
59,1,,26013-080162,, "BOLT W/WASHER M8X16",3,3,,,,,,,,,,,,,I



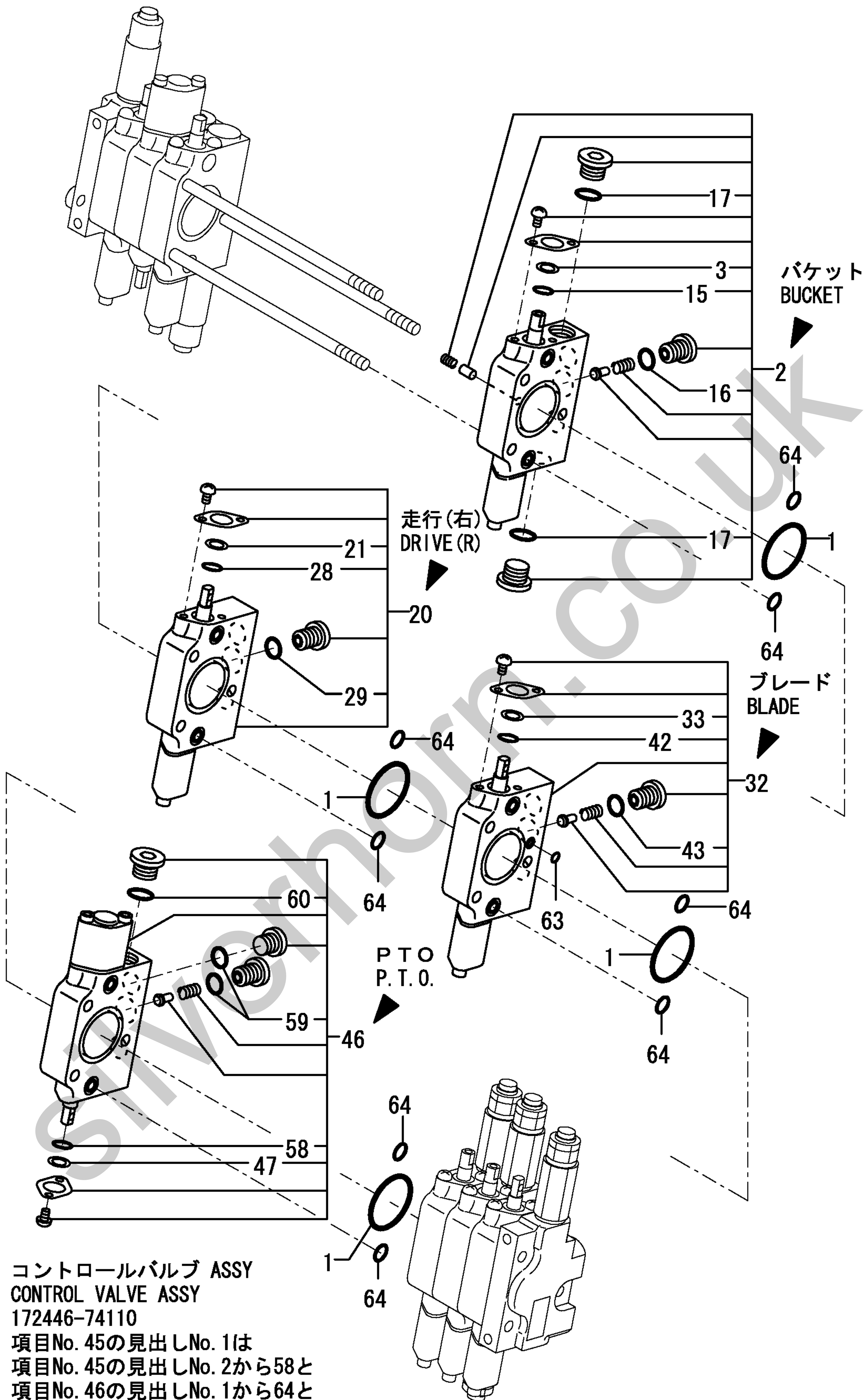


コントロールバルブ ASSY
 CONTROL VALVE ASSY
 172446-74110

項目No. 45の見出しNo. 1は
 項目No. 45の見出しNo. 2から58と
 項目No. 46の見出しNo. 1から64と
 項目No. 47の見出しNo. 1から51を含みます。
 Fig. 45 Ref. No. 1
 inc. Fig. 45 Ref. No. 2~58
 Fig. 46 Ref. No. 1~64
 Fig. 47 Ref. No. 1~51

1,2,,172157-70710,,O-RING,4,4,,,,,,,,,,,,,I
2,2,,172446-74150,, "BUCKET SECTION ASSY",1,1,,,,,,,,,,,,,I
3,3,,172157-70630,, "BAC UP RING",1,1,,,,,,,,,,,,,I
15,3,,24311-240100,, "O-RING 1A P-10A",1,1,,,,,,,,,,,,,I
16,3,,24315-000110,, "O-RING 1B P-11.0",1,1,,,,,,,,,,,,,I
17,3,,24315-000140,, "O-RING 1B P-14.0",2,2,,,,,,,,,,,,,I
20,2,,172446-74160,, "DRIVE SECTION ASSY",1,1,,,,,,,,,,,,,I
21,3,,172157-70630,, "BAC UP RING",1,1,,,,,,,,,,,,,I
28,3,,24311-240100,, "O-RING 1A P-10A",1,1,,,,,,,,,,,,,I
29,3,,24315-000110,, "O-RING 1B P-11.0",1,1,,,,,,,,,,,,,I
32,2,,172446-74170,, "BLADE SECTION ASSY",1,1,,,,,,,,,,,,,I
33,3,,172157-70630,, "BAC UP RING",1,1,,,,,,,,,,,,,I
42,3,,24311-240100,, "O-RING 1A P-10A",1,1,,,,,,,,,,,,,I
43,3,,24315-000110,, "O-RING 1B P-11.0",1,1,,,,,,,,,,,,,I
46,2,,172446-74180,, "P.T.O. SECTION ASSY",1,1,,,,,,,,,,,,,I
47,3,,172157-70630,, "BAC UP RING",1,1,,,,,,,,,,,,,I
58,3,,24311-240100,, "O-RING 1A P-10A",1,1,,,,,,,,,,,,,I
59,3,,24315-000110,, "O-RING 1B P-11.0",1,1,,,,,,,,,,,,,I
60,3,,24315-000140,, "O-RING 1B P-14.0",1,1,,,,,,,,,,,,,I
63,2,,24315-000040,, "O-RING 1A-P4",1,1,,,,,,,,,,,,,I
64,2,,24315-000100,, "O-RING 1B P-10.0",8,8,,,,,,,,,,,,,I

Silverhorn.CO.UK



コントロールバルブ ASSY
 CONTROL VALVE ASSY
 172446-74110

項目No. 45の見出しNo. 1は
 項目No. 45の見出しNo. 2から58と
 項目No. 46の見出しNo. 1から64と
 項目No. 47の見出しNo. 1から51を含みます。

Fig. 45 Ref. No. 1

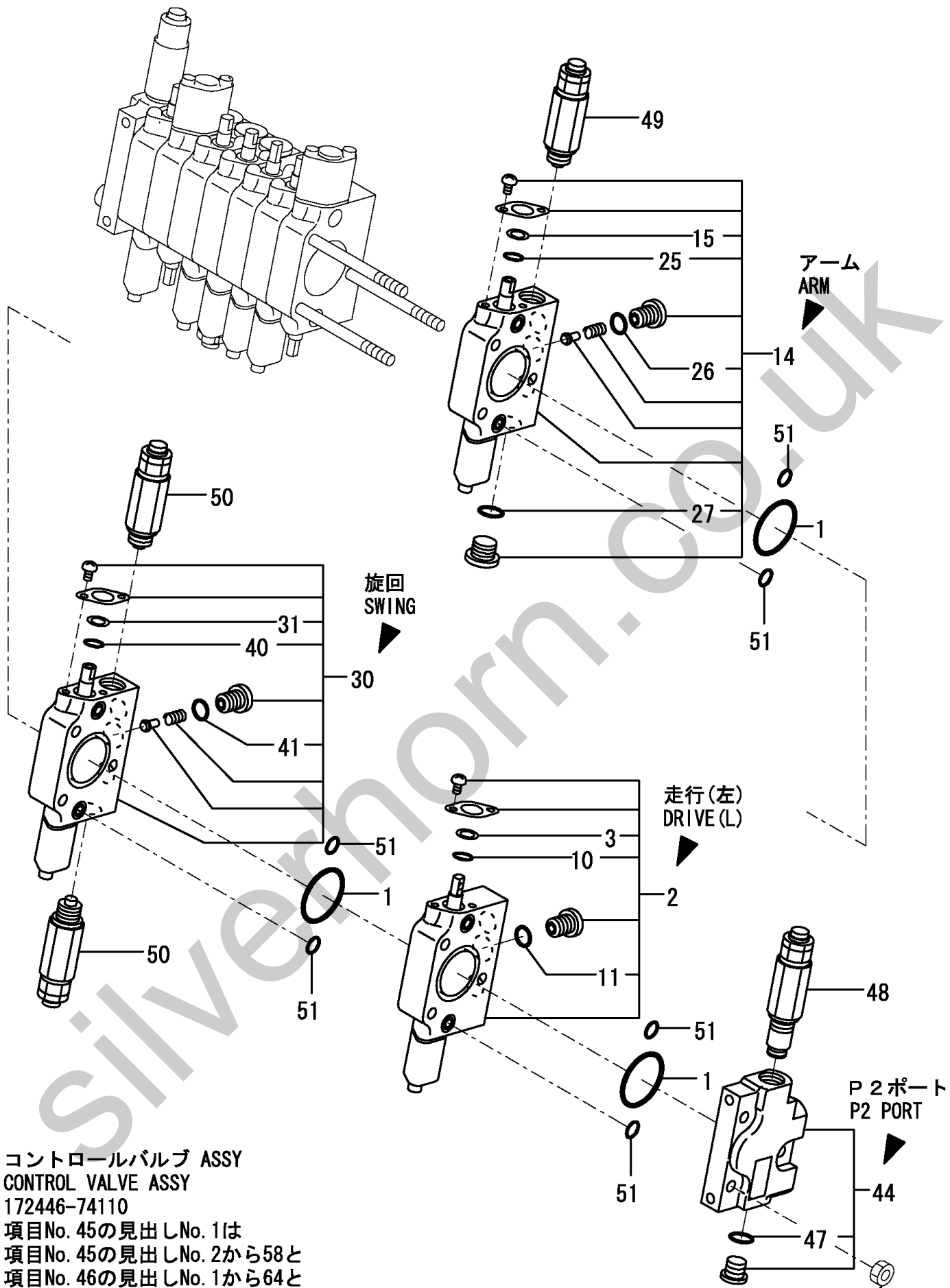
inc. Fig. 45 Ref. No. 2~58

Fig. 46 Ref. No. 1~64

Fig. 47 Ref. No. 1~51

1,2,,172157-70710,,O-RING,3,3,,,,,,,,,,,,,,,,,,,,,I
2,2,,172446-74160,, "DRIVE SECTION ASSY",1,1,,,,,,,,,,,,,,,,,,,,,I
3,3,,172157-70630,, "BAC UP RING",1,1,,,,,,,,,,,,,,,,,,,,,I
10,3,,24311-240100,, "O-RING 1A P-10A",1,1,,,,,,,,,,,,,,,,,,,,,I
11,3,,24315-000110,, "O-RING 1B P-11.0",1,1,,,,,,,,,,,,,,,,,,,,,I
14,2,,172446-74190,, "ARM SECTION ASSY",1,1,,,,,,,,,,,,,,,,,,,,,I
15,3,,172157-70630,, "BAC UP RING",1,1,,,,,,,,,,,,,,,,,,,,,I
25,3,,24311-240100,, "O-RING 1A P-10A",1,1,,,,,,,,,,,,,,,,,,,,,I
26,3,,24315-000110,, "O-RING 1B P-11.0",1,1,,,,,,,,,,,,,,,,,,,,,I
27,3,,24315-000140,, "O-RING 1B P-14.0",1,1,,,,,,,,,,,,,,,,,,,,,I
30,2,,172446-74200,, "TURNING SECTION ASSY",1,1,,,,,,,,,,,,,,,,,,,,,I
31,3,,172157-70630,, "BAC UP RING",1,1,,,,,,,,,,,,,,,,,,,,,I
40,3,,24311-240100,, "O-RING 1A P-10A",1,1,,,,,,,,,,,,,,,,,,,,,I
41,3,,24315-000110,, "O-RING 1B P-11.0",1,1,,,,,,,,,,,,,,,,,,,,,I
44,2,,172447-74200,, "P2 SECTION",1,1,,,,,,,,,,,,,,,,,,,,,I
47,3,,24315-000110,, "O-RING 1B P-11.0",1,1,,,,,,,,,,,,,,,,,,,,,I
48,2,,172446-74220,, "MAIN RELIEF VALVE",1,1,,,,,,,,,,,,,,,,,,,,,I
49,2,,172446-74230,, "OVERLOAD, 230",1,1,,,,,,,,,,,,,,,,,,,,,I
50,2,,172446-74240,, "CVERLOAD, 70",2,2,,,,,,,,,,,,,,,,,,,,,I
51,2,,24315-000100,, "O-RING 1B P-10.0",6,6,,,,,,,,,,,,,,,,,,,,,I

Silverhorn.CO.UK



コントロールバルブ ASSY
CONTROL VALVE ASSY
172446-74110

項目No. 45の見出しNo. 1は
項目No. 45の見出しNo. 2から58と
項目No. 46の見出しNo. 1から64と
項目No. 47の見出しNo. 1から51を含みます。

Fig. 45 Ref. No. 1

inc. Fig. 45 Ref. No. 2~58

Fig. 46 Ref. No. 1~64

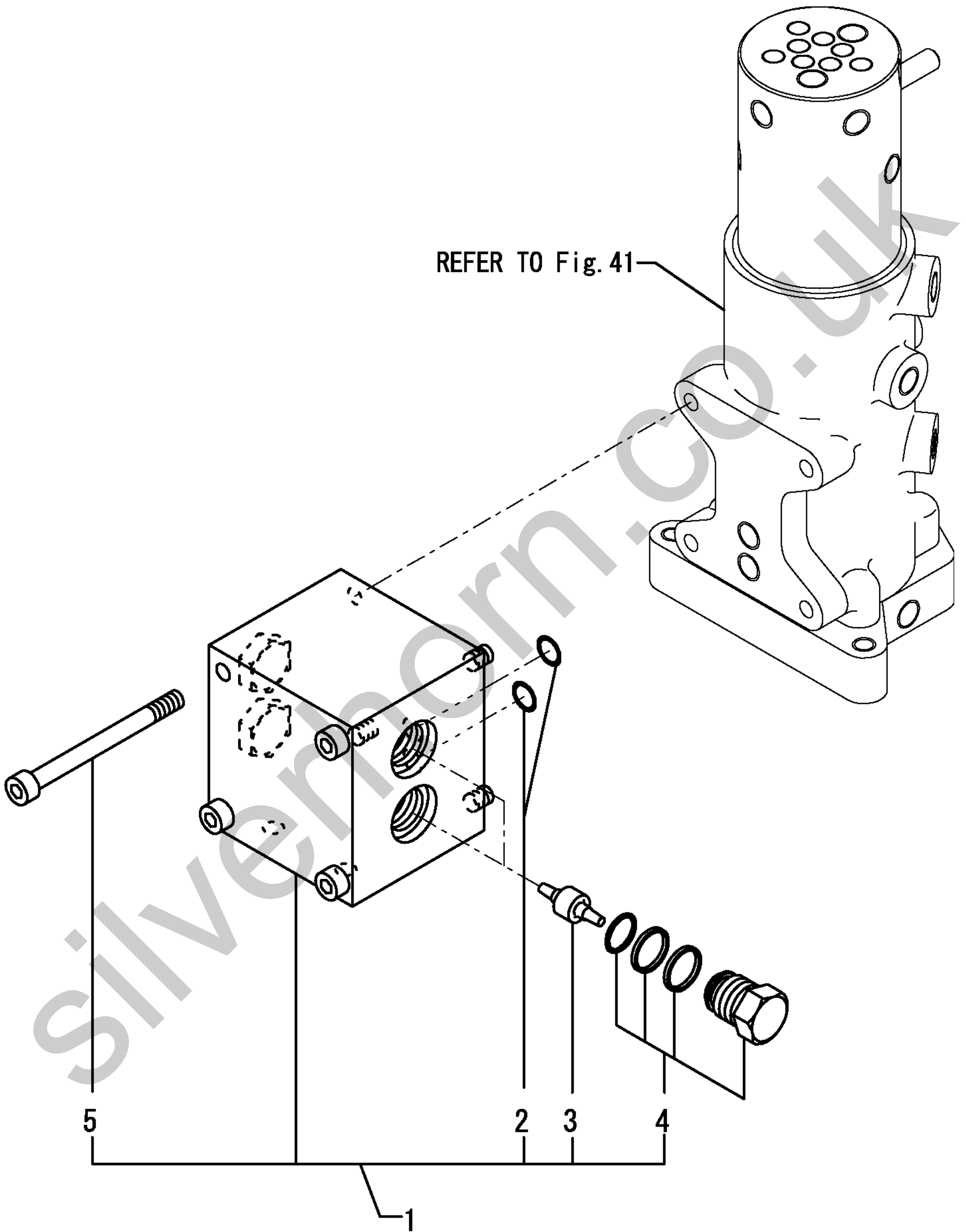
Fig. 47 Ref. No. 1~51

REFER TO Fig. 45

1,1,,172446-74500,, "VALVE,CHECK",1,1,,,,,,,,,,,,,
2,2,,172179-73540,, O-RING,2,2,,,,,,,,,,,,,
3,2,,172446-74510,, PISTON,2,2,,,,,,,,,,,,,I
4,2,,172446-74520,, "CHECK VALVE ASSY",4,4,,,,,,,,,,,,,I
5,2,,26450-080802,, "BOLT M 8X 80",4,4,,,,,,,,,,,,,

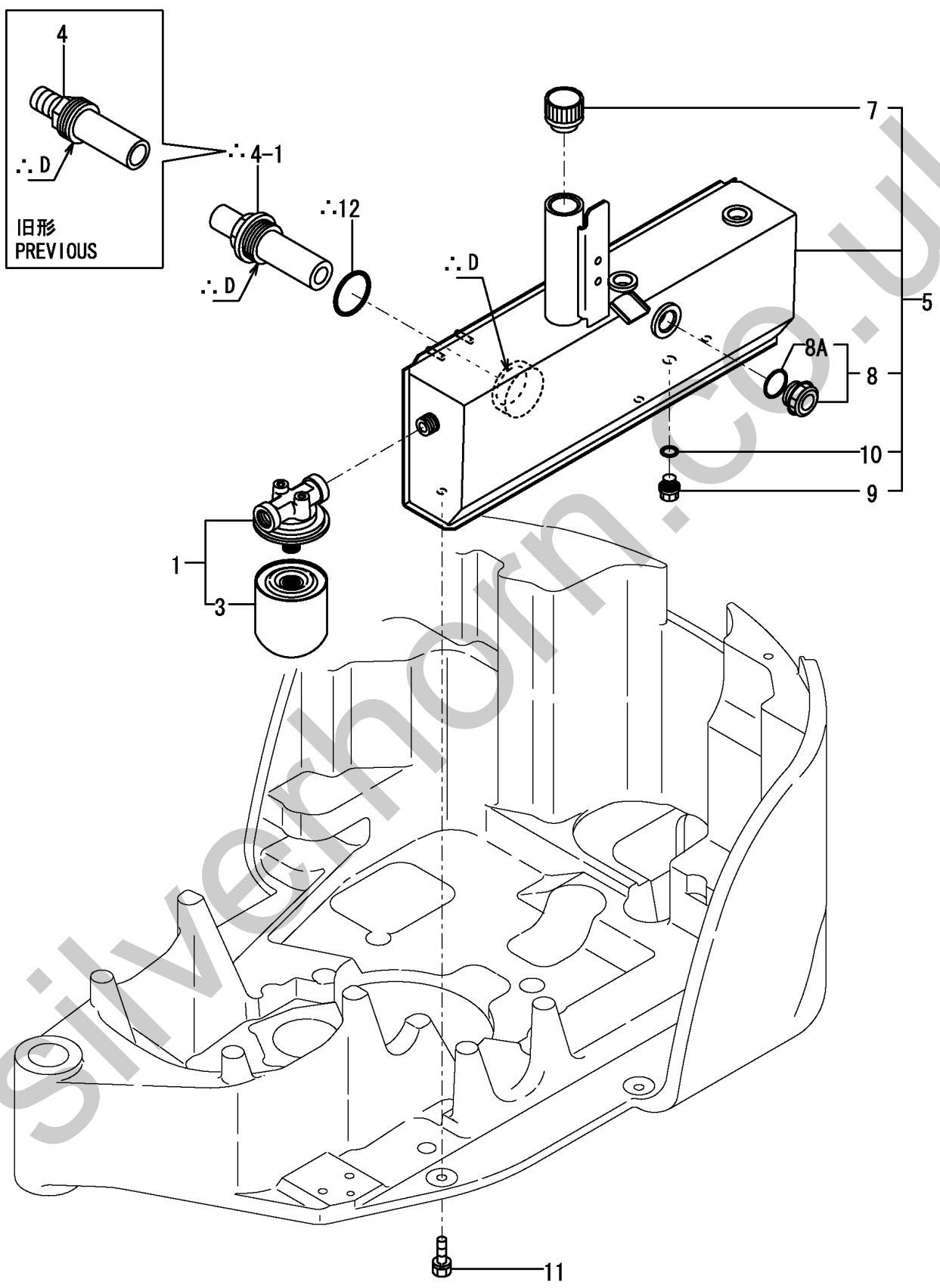
Silverhorn.CO.UK

REFER TO Fig. 41



1,1,,172156-73700,, "STRAINER, RETURN",1,1,,,,,,,,,,,,,
3,2,,172156-73710,, ELEMENT,1,1,,,,,,,,,,,,,
4,1,,172446-73700,, "FILTER, SUCTION",1,1,,,,,,,,,,,,,
4-1,1,,172480-
73700,, "FILTER, SUCTION",1,1,,,,,S,1,72480001,M/#02039,72480001,M/#02039,,,,,,
I
5,1,,772446-75100,, "RESERVER ASSY",1,1,,,,,,,,,,,,,
5-1,1,,772446-75101,, "RESERVOIR
ASSY",1,1,,,,,S,2,72480001,M/#02039,72480001,M/#02039,,,,,,I
7,2,,172446-75250,, CAP,1,1,,,,,,,,,,,,,
8,2,,172446-75260,, GAUGE,1,1,,,,,,,,,,,,,
8-1,2,,172480-75350,, "GAUGE
ASSY, RESERVOIR",1,1,,,,,S,,72480001,M/#02039,72480001,M/#02039,,,,,,I
8A,3,,24316-000200,, "O-RING 4D P-20.0",1,1,,,,,,,,,,,,,I
8A-1,3,,24311-350220,, "O-RING 1A P-
22A",1,1,,,,,S,,72480001,M/#02039,72480001,M/#02039,,,,,,I
9,2,,23491-140002,, "PLUG 14",1,1,,,,,,,,,,,,,
10,2,,24311-000160,, "O-RING 1A P-16.0",1,1,,,,,,,,,,,,,
11,1,,26013-100252,, "BOLT W/WASHER M10X25",3,3,,,,,,,,,,,,,
12,1,,24315-000440,, "O-RING 1B P
44.0",1,1,,,,,W,,72446133,M/#02039,72446133,M/#02039,,,,,,I



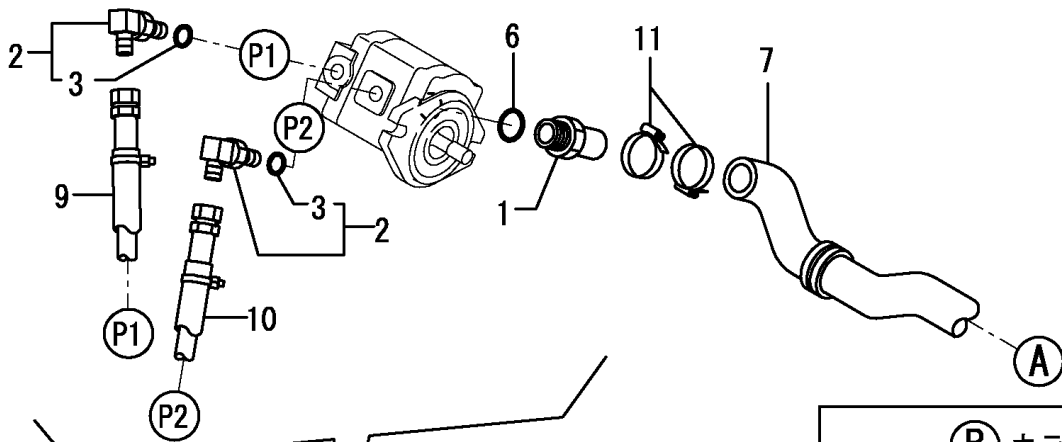


旧形
PREVIOUS

∴印が今回変更(追記)した個所です。
 ∴.MARKED PART HAS BEEN CHANGED (ADDED).

1,1,,172142-76100,,CONNECTOR,1,1,,,,,,,,,,,,,
2,1,,172142-76180,,JOINT,2,2,,,,,,,,,,,,,
3,2,,24315-000140,,,"O-RING 1B P-14.0",2,2,,,,,,,,,,,,,
4,1,,172186-76410,,,"ADAPTER, MALE/MALE",2,2,,,,,,,,,,,,,
5,1,,24315-000140,,,"O-RING 1B P-14.0",2,2,,,,,,,,,,,,,
6,1,,24315-000240,,,"O-RING 1B P-24.0",1,1,,,,,,,,,,,,,
7,1,,172446-78080,,,"HOSE,SUCTION",1,1,,,,,,,,,,,,,
9,1,,172446-78110,,,"HOSE G206BV080K",1,1,,,,,,,,,,,,,
10,1,,172446-78121,,,"HOSE",1,1,,,,,,,,,,,,,
11,1,,23000-041000,,,"CLAMP 41",4,4,,,,,,,,,,,,,

Silverhorn.CO.UK



コントロールバルブ
CONTROL VALVE

油圧ポンプ
HYD. OIL PUMP

作動油タンク
HYD. OIL TANK

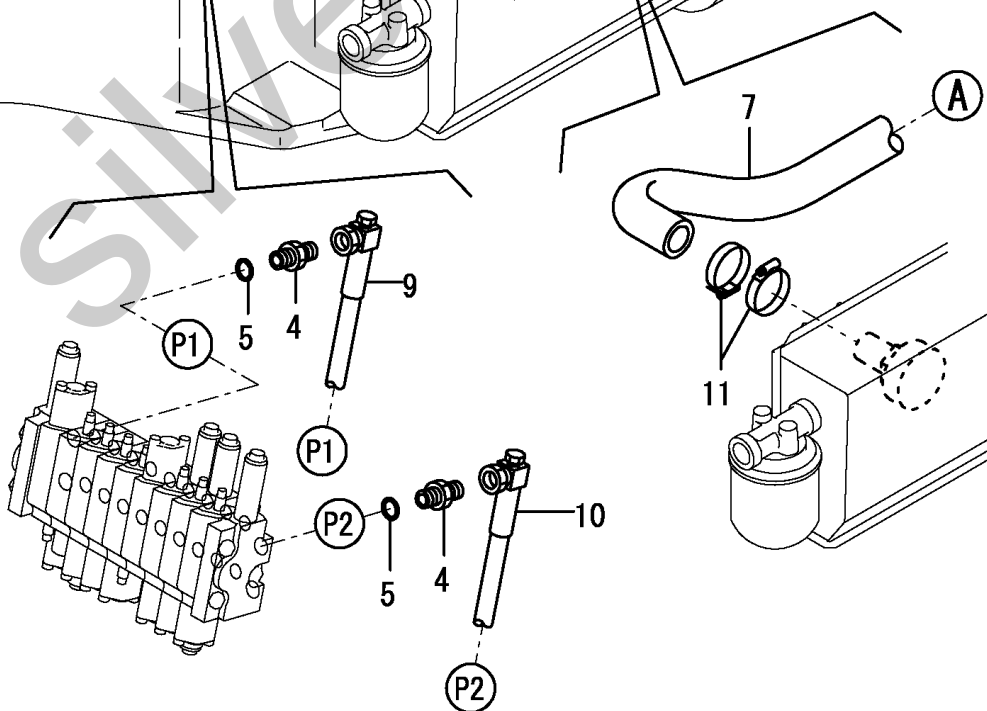
(B) カラ見ル
VIEWED FROM (B)

固定脚仕様
FIXED LEG SPEC.

P1	○	T1	
A1	○	B1	スイング (SWING)
A2	○	B2	ブーム (BOOM)
A3	○	B3	バケット (BUCKET)
A4	○	B4	右走行 (R-DRIVE)
A5	○	B5	ブレード (BLADE)
A6	○	B6	PTO (P. T. O.)
A7	○	B7	アーム (ARM)
A8	○	B8	旋回 (TURNING)
A9	○	B9	左走行 (L-DRIVE)
P2	○	T2	

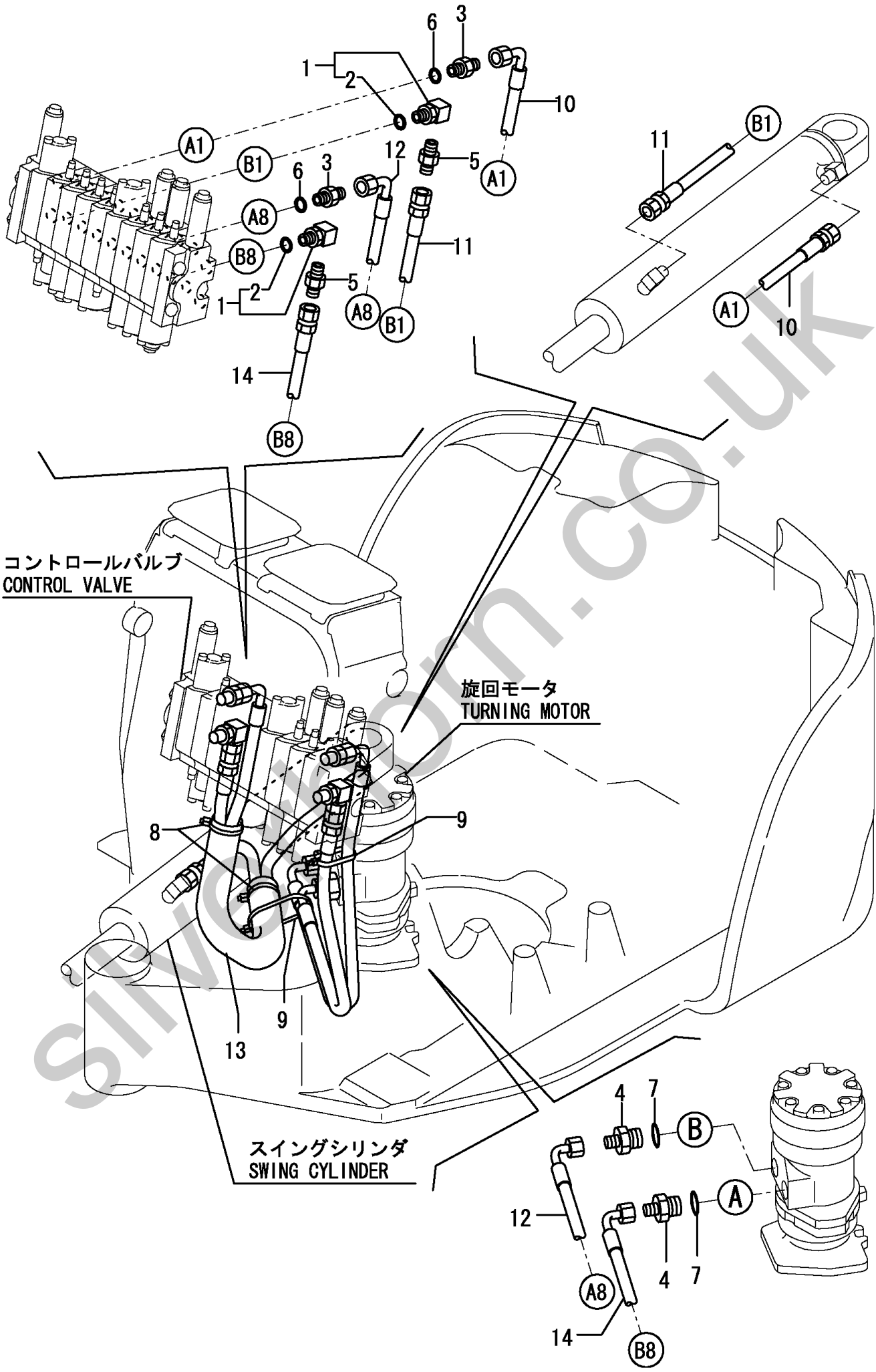
拡縮可変脚仕様
WIDEN/SHORTEN VARIABLE LEG SPEC.

P1	○	T1	
A1	○	B1	可変 (VARIABLE)
A2	○	B2	スイング (SWING)
A3	○	B3	ブーム (BOOM)
A4	○	B4	バケット (BUCKET)
A5	○	B5	右走行 (R-DRIVE)
A6	○	B6	ブレード (BLADE)
A7	○	B7	PTO (P. T. O.)
A8	○	B8	アーム (ARM)
A9	○	B9	旋回 (TURNING)
A10	○	B10	左走行 (L-DRIVE)
P2	○	T2	



1,1,,172137-76100,, "ELBOW PF1/4",2,,,,,,,,,,,,,,,,,,,,,
2,2,,24315-000110,, "O-RING 1B P-11.0",2,,,,,,,,,,,,,,,,,,,,,
3,1,,172123-76120,, "CONNECTOR PF1/4",2,,,,,,,,,,,,,,,,,,,,,
4,1,,172423-76120,, CONNECTOR,2,,,,,,,,,,,,,,,,,,,,,
5,1,,23391-020000,, "JOINT RGI1/4",2,,,,,,,,,,,,,,,,,,,,,
6,1,,24315-000110,, "O-RING 1B P-11.0",2,,,,,,,,,,,,,,,,,,,,,
7,1,,24315-000180,, "O-RING 1B P-18.0",2,,,,,,,,,,,,,,,,,,,,,
8,1,,1A1380-55310,, "CLAMP, WIRE",2,,,,,,,,,,,,,,,,,,,,,
9,1,,194202-56460,, BAND,2,,,,,,,,,,,,,,,,,,,,,
10,1,,172446-78140,, "HOSE P204BC078",1,,,,,,,,,,,,,,,,,,,,,
11,1,,172446-78150,, "HOSE P204BB067",1,,,,,,,,,,,,,,,,,,,,,
12,1,,172446-78290,, "HOSE P204CC060",1,,,,,,,,,,,,,,,,,,,,,
13,1,,172157-78640,, "COVER 20X500,HOSE",1,,,,,,,,,,,,,,,,,,,,,
14,1,,172462-78800,, "HOSE P204BC049",1,,,,,,,,,,,,,,,,,,,,,

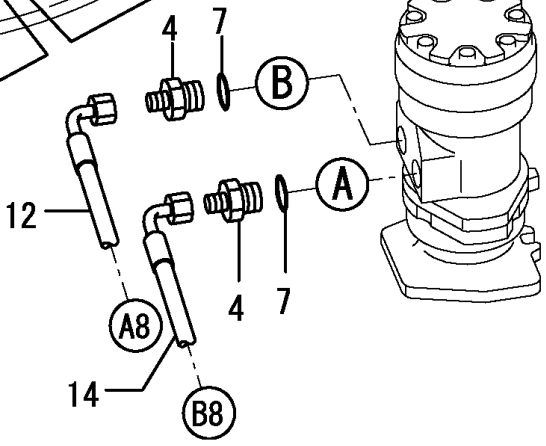
Silverhorn.CO.UK



コントロールバルブ
CONTROL VALVE

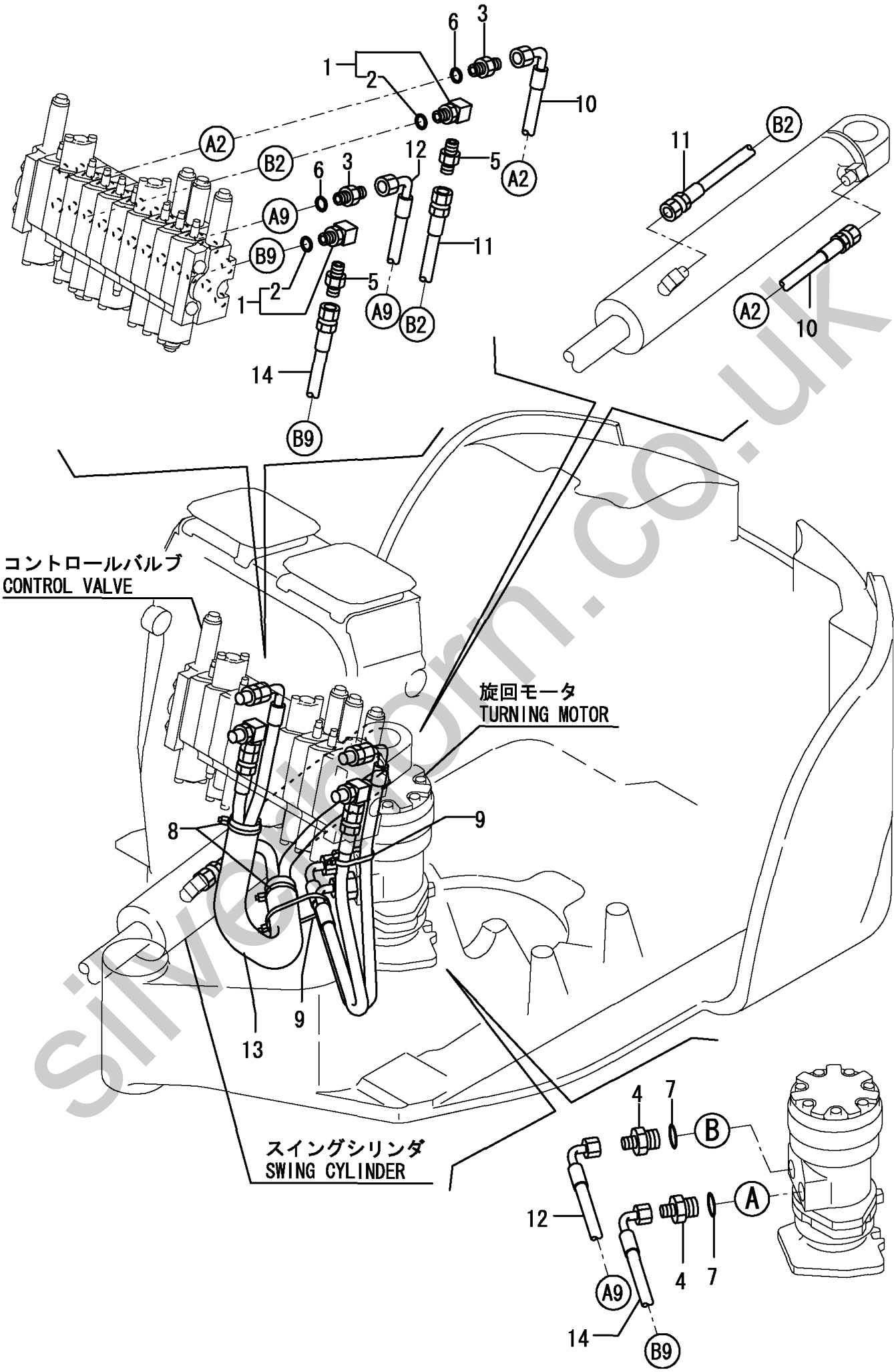
旋回モータ
TURNING MOTOR

スイングシリンダ
SWING CYLINDER



1,1,,172137-76100,, "ELBOW PF1/4",2,2,,,,,,,,,,,,,,,,,,,,,
2,2,,24315-000110,, "O-RING 1B P-11.0",2,2,,,,,,,,,,,,,,,,,,,,,
3,1,,172123-76120,, "CONNECTOR PF1/4",2,2,,,,,,,,,,,,,,,,,,,,,
4,1,,172423-76120,, "CONNECTOR",2,2,,,,,,,,,,,,,,,,,,,,,
5,1,,23391-020000,, "JOINT RGI1/4",2,2,,,,,,,,,,,,,,,,,,,,,
6,1,,24315-000110,, "O-RING 1B P-11.0",2,2,,,,,,,,,,,,,,,,,,,,,
7,1,,24315-000180,, "O-RING 1B P-18.0",2,2,,,,,,,,,,,,,,,,,,,,,
8,1,,1A1380-55310,, "CLAMP, WIRE",2,2,,,,,,,,,,,,,,,,,,,,,
9,1,,194202-56460,, "BAND",2,2,,,,,,,,,,,,,,,,,,,,,
10,1,,172446-78140,, "HOSE P204BC078",1,1,,,,,,,,,,,,,,,,,,,,,
11,1,,172446-78150,, "HOSE P204BB067",1,1,,,,,,,,,,,,,,,,,,,,,
12,1,,172446-78290,, "HOSE P204CC060",1,1,,,,,,,,,,,,,,,,,,,,,
13,1,,172157-78640,, "COVER 20X500,HOSE",1,1,,,,,,,,,,,,,,,,,,,,,
14,1,,172462-78800,, "HOSE P204BC049",1,1,,,,,,,,,,,,,,,,,,,,,

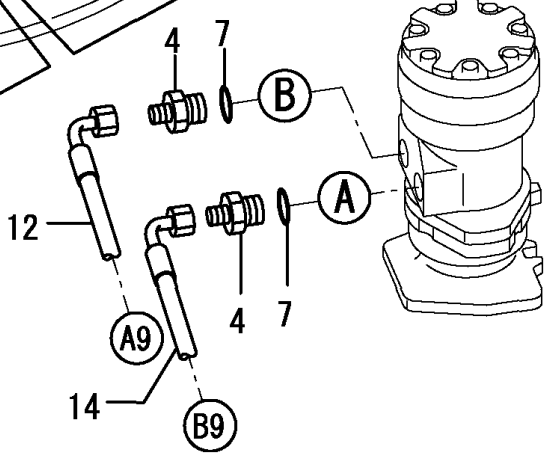
Silverhorn.CO.UK



コントロールバルブ
CONTROL VALVE

旋回モータ
TURNING MOTOR

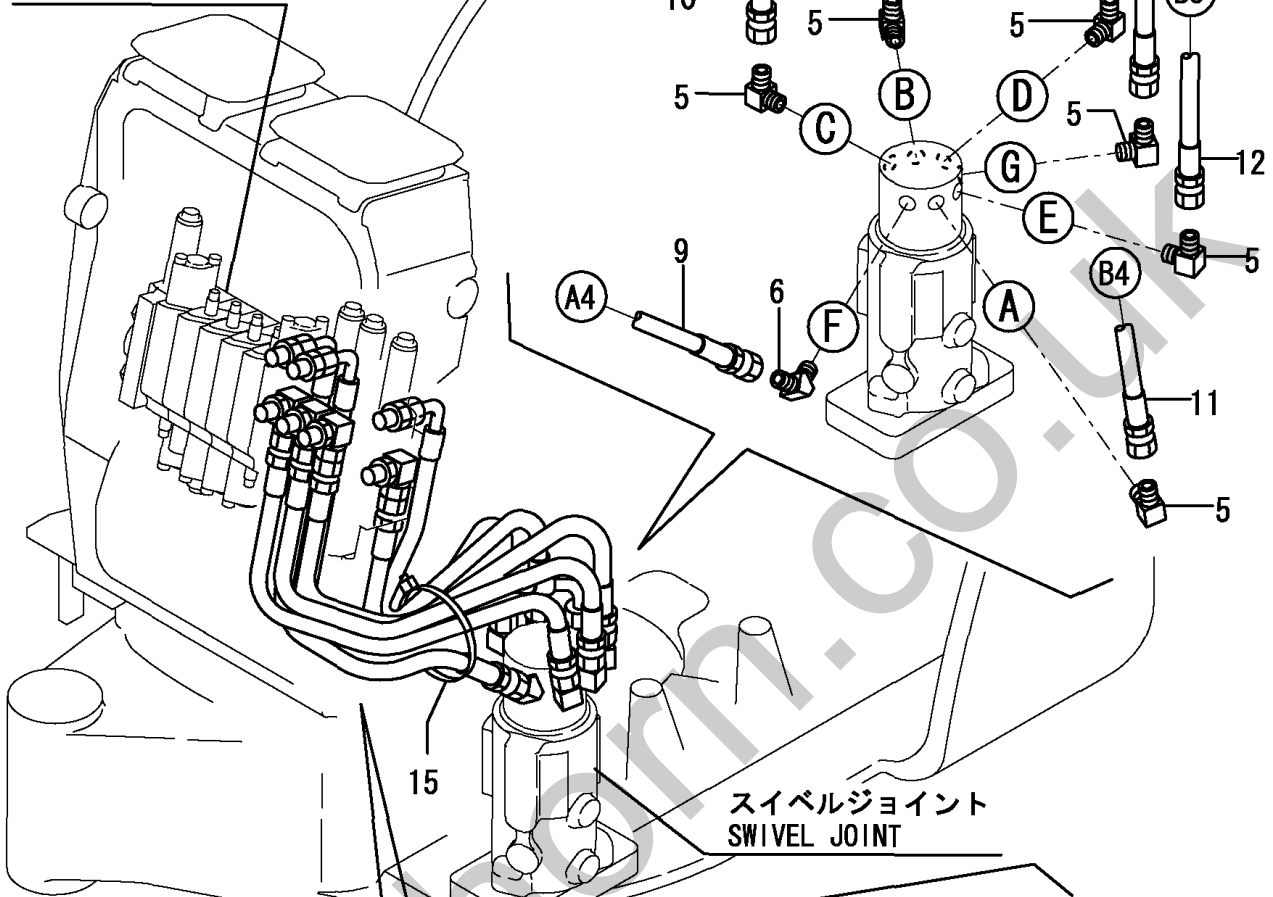
スイングシリンダ
SWING CYLINDER



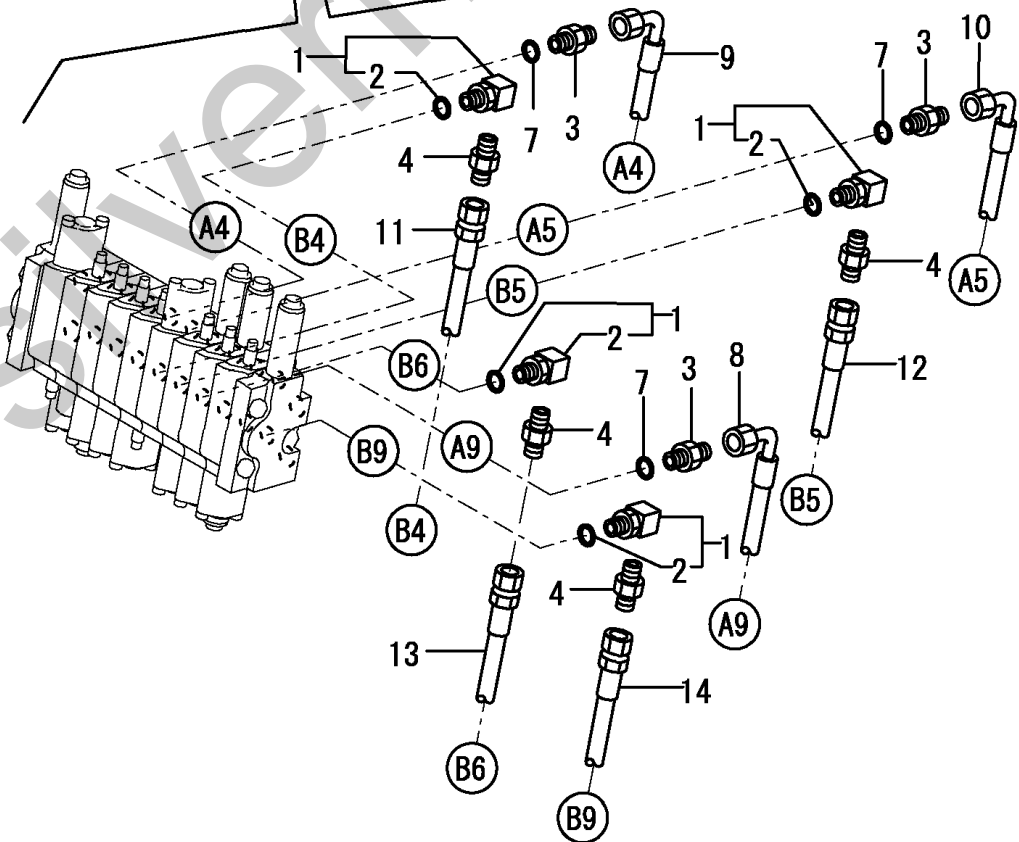
1,1,,172137-76100,, "ELBOW PF1/4",4,,,,,,,,,,,,,,,,,,,,,
2,2,,24315-000110,, "O-RING 1B P-11.0",4,,,,,,,,,,,,,,,,,,,,,
3,1,,172123-76120,, "CONNECTOR PF1/4",3,,,,,,,,,,,,,,,,,,,,,
4,1,,23391-020000,, "JOINT RGI1/4",4,,,,,,,,,,,,,,,,,,,,,
5,1,,23393-020000,, "JOINT 90RGI1/4",6,,,,,,,,,,,,,,,,,,,,,
6,1,,23394-020000,, "JOINT 45RGI1/4",1,,,,,,,,,,,,,,,,,,,,,
7,1,,24315-000110,, "O-RING 1B P-11.0",3,,,,,,,,,,,,,,,,,,,,,
8,1,,172137-78130,, "PIPE P204BC072",1,,,,,,,,,,,,,,,,,,,,,
9,1,,172446-78210,, "HOSE P204BC059",1,,,,,,,,,,,,,,,,,,,,,
10,1,,172446-78220,, "HOSE P204BC065",1,,,,,,,,,,,,,,,,,,,,,
11,1,,172446-78450,, "HOSE P204BB063",1,,,,,,,,,,,,,,,,,,,,,
12,1,,172446-78450,, "HOSE P204BB063",1,,,,,,,,,,,,,,,,,,,,,
13,1,,172446-78480,, "HOSE P204BB065",1,,,,,,,,,,,,,,,,,,,,,
14,1,,172446-78540,, "HOSE P204BD060",1,,,,,,,,,,,,,,,,,,,,,
15,1,,194202-56460,, BAND,1,,,,,,,,,,,,,,,,,,,,,

Silverhorn.CO.UK

コントロールバルブ
CONTROL VALVE



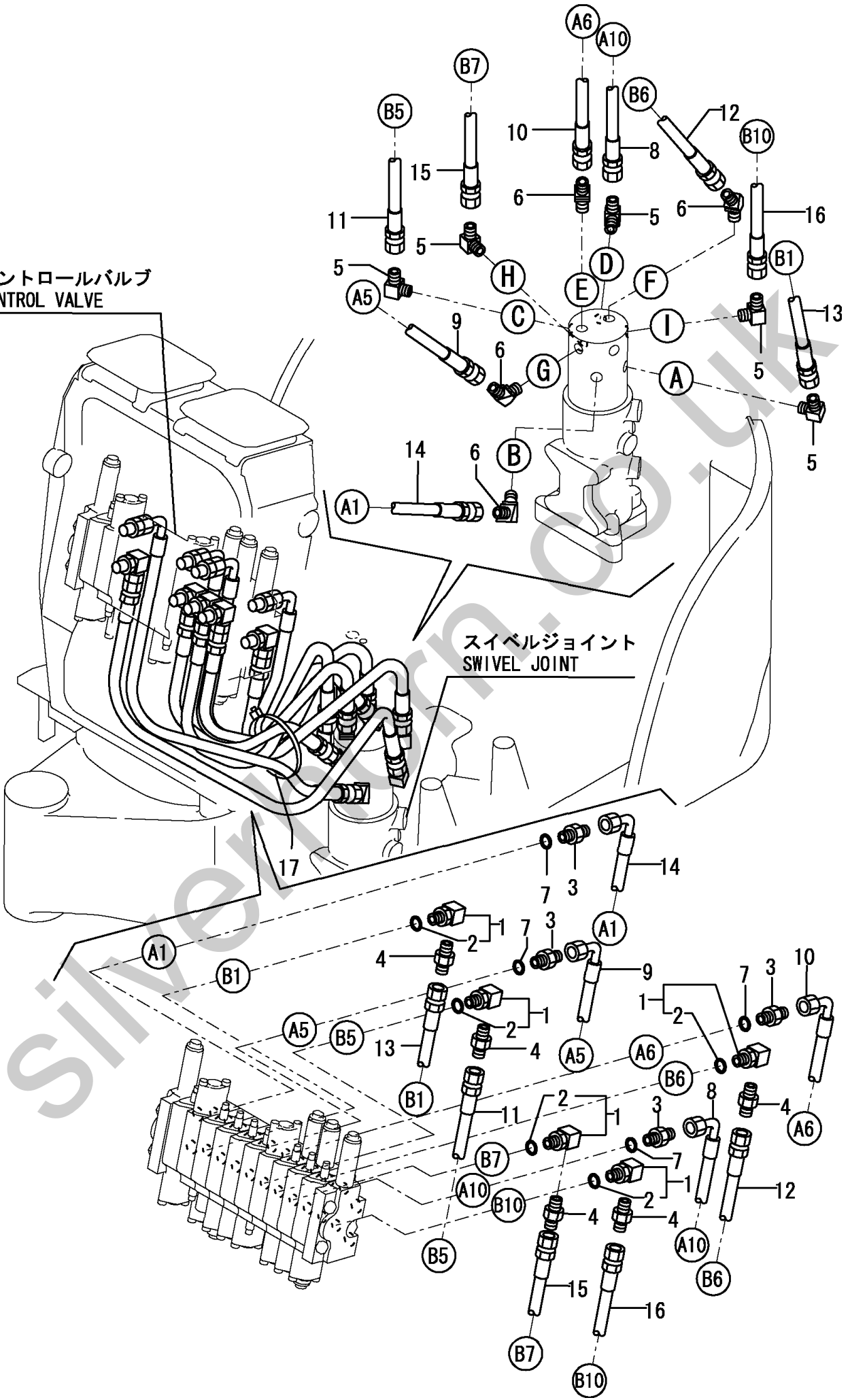
スイベルジョイント
SWIVEL JOINT



1,1,,172137-76100,, "ELBOW PF1/4",5,5,,,,,,,,,,,,,,,,,,,,,
2,2,,24315-000110,, "O-RING 1B P-11.0",5,5,,,,,,,,,,,,,,,,,,,,,
3,1,,172123-76120,, "CONNECTOR PF1/4",4,4,,,,,,,,,,,,,,,,,,,,,
4,1,,23391-020000,, "JOINT RGI1/4",5,5,,,,,,,,,,,,,,,,,,,,,
5,1,,23393-020000,, "JOINT 90RGI1/4",5,5,,,,,,,,,,,,,,,,,,,,,
6,1,,23394-020000,, "JOINT 45RGI1/4",4,4,,,,,,,,,,,,,,,,,,,,,
7,1,,24315-000110,, "O-RING 1B P-11.0",4,4,,,,,,,,,,,,,,,,,,,,,
8,1,,172137-78130,, "PIPE P204BC072",1,1,,,,,,,,,,,,,,,,,,,,,
9,1,,172446-78210,, "HOSE P204BC059",1,1,,,,,,,,,,,,,,,,,,,,,
10,1,,172446-78220,, "HOSE P204BC065",1,1,,,,,,,,,,,,,,,,,,,,,
11,1,,172446-78440,, "HOSE P204BB056",1,1,,,,,,,,,,,,,,,,,,,,,
12,1,,172446-78450,, "HOSE P204BB063",1,1,,,,,,,,,,,,,,,,,,,,,
13,1,,172446-78460,, "HOSE P204BD070",1,1,,,,,,,,,,,,,,,,,,,,,
14,1,,172446-78470,, "HOSE P204BC073",1,1,,,,,,,,,,,,,,,,,,,,,
15,1,,172446-78480,, "HOSE P204BB065",1,1,,,,,,,,,,,,,,,,,,,,,
16,1,,194202-56460,, BAND,1,,,,,,,,,M,,,,,,,,,,,,,I
16-1,1,,172446-78540,, "HOSE P204BD060",1,1,,,,,,,,,,,,,,,,,,,,,I
17,1,,194202-56460,, BAND,1,1,,,,,,,,,,,,,,,,,,,,,

Silverhorn.CO.UK

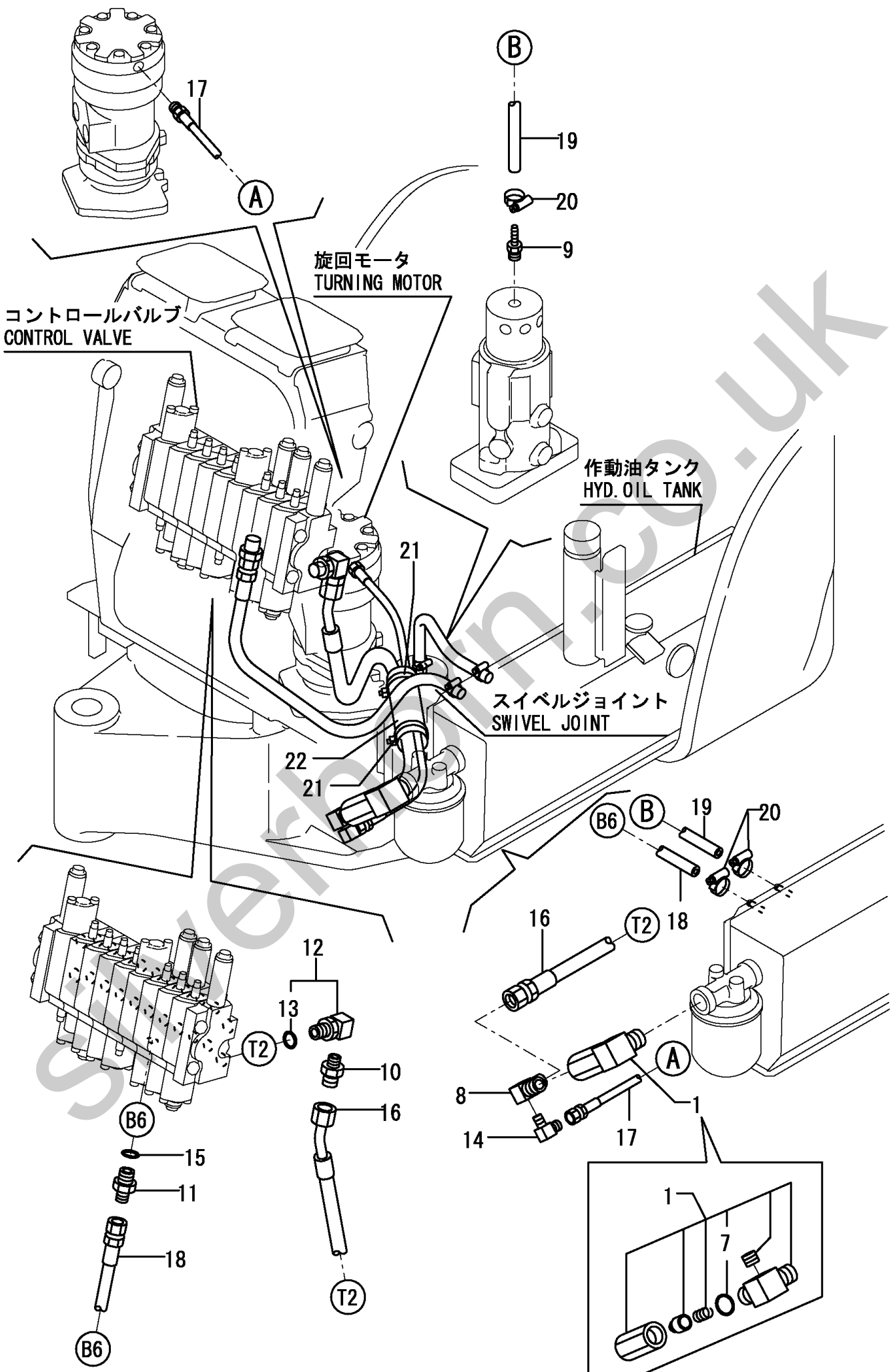
コントロールバルブ
CONTROL VALVE



スィベルジョイント
SWIVEL JOINT

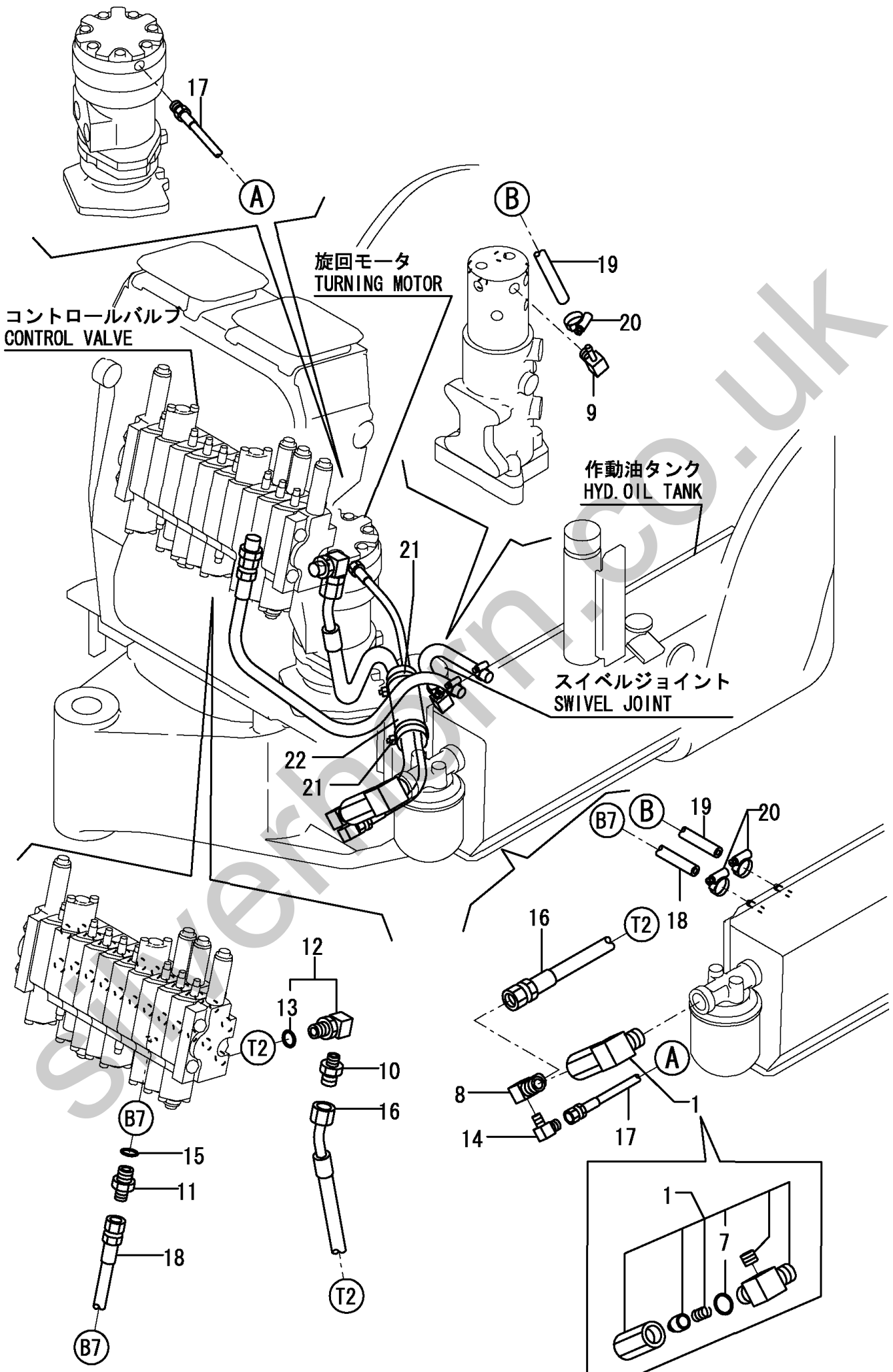
1,1,,772446-76120,, "ELBOW PT,PF1/4",1,1,,,,,,,,,,,,,,,,,,,,,
 7,2,,24315-000180,, "O-RING 1B P-18.0",1,1,,,,,,,,,,,,,,,,,,,,,
 8,1,,172446-76140,, ELBOW(90RGIX1/8),1,1,,,,,,,,,,,,,,,,,,,,,
 9,1,,172141-76220,, NIPPLE,1,1,,,,,,,,,,,,,,,,,,,,,,,,,,,,,
 10,1,,172312-76240,, "NIPPLE 1/4-3/8",1,1,,,,,,,,,,,,,,,,,,,,,
 11,1,,172447-76310,, "CONNECTOR 3/8-1/4",1,1,,,,,,,,,,,,,,,,,,,,,
 12,1,,172186-76370,, "CONNECTOR 3/8-1/4",1,1,,,,,,,,,,,,,,,,,,,,,
 13,2,,24315-000140,, "O-RING 1B P-14.0",1,1,,,,,,,,,,,,,,,,,,,,,
 14,1,,172112-77660,, "L-JOINT 1/8",1,1,,,,,,,,,,,,,,,,,,,,,
 15,1,,24315-000140,, "O-RING 1B P-14.0",1,1,,,,,,,,,,,,,,,,,,,,,
 16,1,,172446-78130,, "HOSE G206BD063",1,1,,,,,,,,,,,,,,,,,,,,,
 17,1,,172446-78240,, "HOSE P202AB048",1,1,,,,,,,,,,,,,,,,,,,,,
 18,1,,172446-78330,, "HOSE G604DY064",1,1,,,,,,,,,,,,,,,,,,,,,
 19,1,,172446-78340,, "HOSE G604YY032",1,1,,,,,,,,,,,,,,,,,,,,,
 20,1,,23000-013000,, "CLAMP 13",3,3,,,,,,,,,,,,,,,,,,,,,
 21,1,,933168-55770,, "BAND 146",2,2,,,,,M,,,,,,,,,,,,,I
 21-1,1,,1A1380-55310,, "CLAMP, WIRE",2,2,,,,,,,,,,,,,,,,,,,,,I
 22,1,,172446-78690,, "COVER,HOSE",1,1,,,,,,,,,,,,,,,,,,,,,

Silverhorn.CO.UK



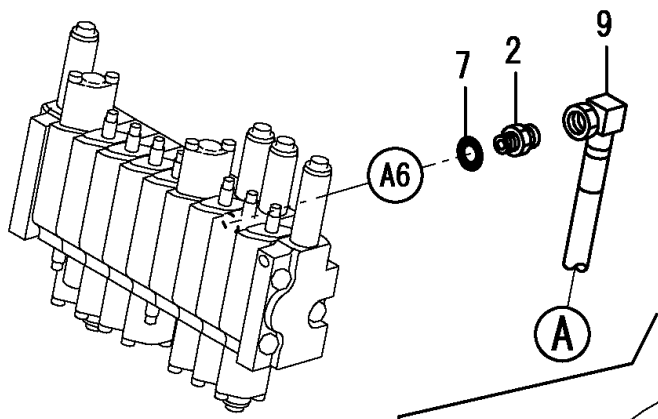
1,1,,772446-76120,, "ELBOW PT,PF1/4",1,1,,,,,,,,,,,,,,,,,,,,,
 7,2,,24315-000180,, "O-RING 1B P-18.0",1,1,,,,,,,,,,,,,,,,,,,,,
 8,1,,172446-76140,, ELBOW(90RGIX1/8),1,1,,,,,,,,,,,,,,,,,,,,,
 9,1,,172186-76390,, NIPPLE,1,1,,,,,,,,,,,,,,,,,,,,,,,,,,,,,
 10,1,,172312-76240,, "NIPPLE 1/4-3/8",1,1,,,,,,,,,,,,,,,,,,,,,
 11,1,,172447-76310,, "CONNECTOR 3/8-1/4",1,1,,,,,,,,,,,,,,,,,,,,,
 12,1,,172186-76370,, "CONNECTOR 3/8-1/4",1,1,,,,,,,,,,,,,,,,,,,,,
 13,2,,24315-000140,, "O-RING 1B P-14.0",1,1,,,,,,,,,,,,,,,,,,,,,
 14,1,,172112-77660,, "L-JOINT 1/8",1,1,,,,,,,,,,,,,,,,,,,,,
 15,1,,24315-000140,, "O-RING 1B P-14.0",1,1,,,,,,,,,,,,,,,,,,,,,
 16,1,,172446-78130,, "HOSE G206BD063",1,1,,,,,,,,,,,,,,,,,,,,,
 17,1,,172446-78240,, "HOSE P202AB048",1,1,,,,,,,,,,,,,,,,,,,,,
 18,1,,172446-78330,, "HOSE G604DY064",1,1,,,,,,,,,,,,,,,,,,,,,
 19,1,,172446-78340,, "HOSE G604YY032",1,1,,,,,,,,,,,,,,,,,,,,,
 20,1,,23000-013000,, "CLAMP 13",3,3,,,,,,,,,,,,,,,,,,,,,
 21,1,,933168-55770,, "BAND 146",2,2,,,,,M,,,,,,,,,,,,,,,,,I
 21-1,1,,1A1380-55310,, "CLAMP, WIRE",2,2,,,,,,,,,,,,,,,,,,,,,I
 22,1,,172446-78690,, "COVER,HOSE",1,1,,,,,,,,,,,,,,,,,,,,,

Silverhorn.CO.UK



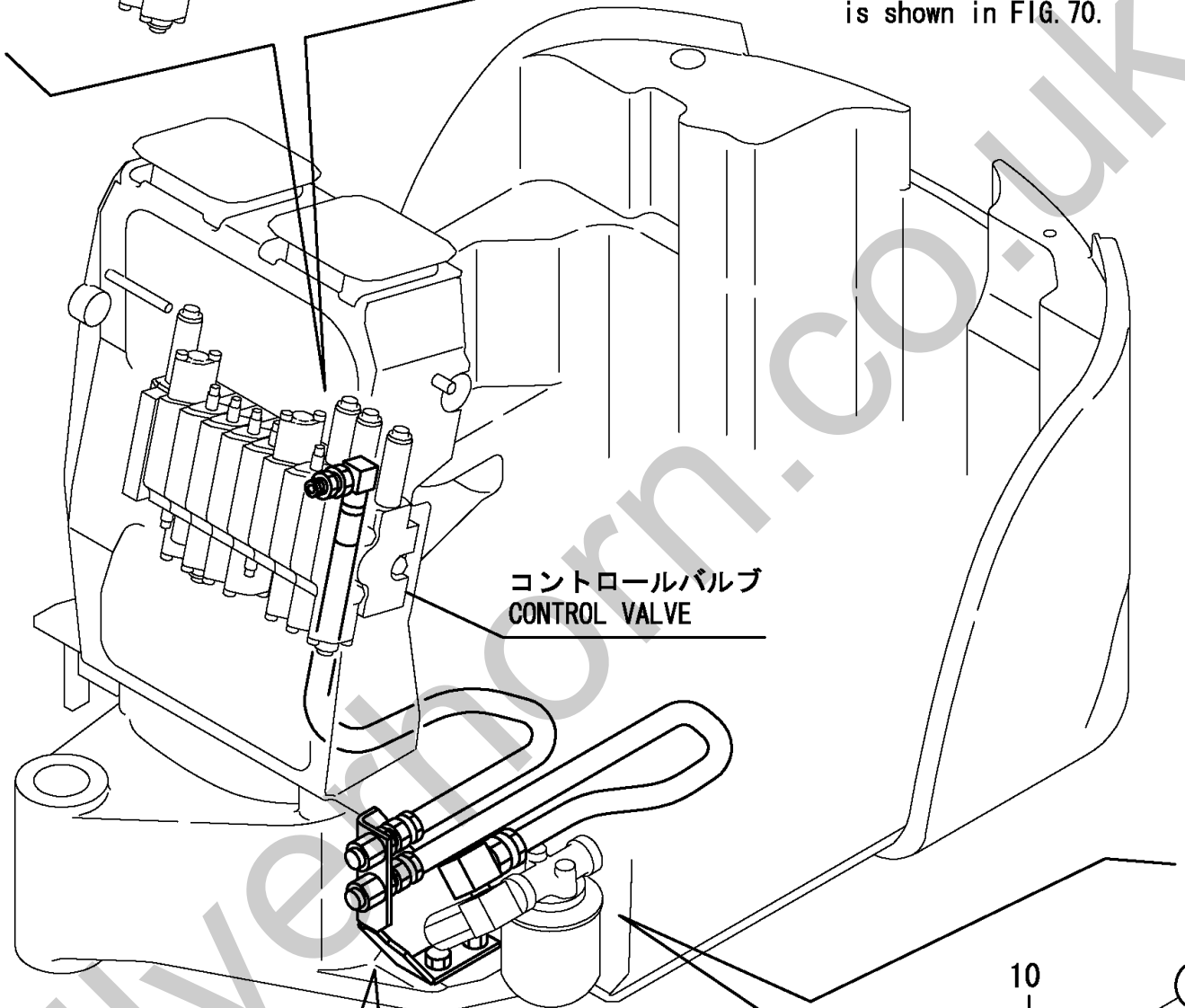
1,1,,172145-76180,, "JOINT 3/8",2,,,,,,,,,,,,,,,,,,,,,
2,1,,172638-76190,, "CONNECTOR PF1/4",1,,,,,,,,,,,,,,,,,,,,,
3,1,,172446-76300,, "BRACKET, P.T.O.",1,,,,,,,,,,,,,,,,,,,,,
4,1,,172141-76990,, "BUSH 38-55, PIN",1,,,,,,,,,,,,,,,,,,,,,
5,1,,22217-100000,, "SPRING WASHER 10",2,,,,,,Z,,72446087,M/#00501,,,,,,,,,,,,,I
6,1,,23871-030000,, "PLUG PT3/8,SCREW",2,,,,,,,,,,,,,,,,,,,,,
7,1,,24315-000110,, "O-RING 1B P-11.0",1,,,,,,,,,,,,,,,,,,,,,
8,1,,26116-100162,, "BOLT M10X 16 PLATED",2,,,,,,,,,,,,,,,,,,,,,
8-1,1,,26013-100162,, "BOLT M10X 16",2,,,,,,N,,72446087,M/#00501,,,,,,,,,,,,,I
9,1,,172446-78250,, "HOSE G206BV077K",1,,,,,,,,,,,,,,,,,,,,,
10,1,,172446-78650,, "HOSE G608BB047K",1,,,,,,,,,,,,,,,,,,,,,

Silverhorn.CO.UK

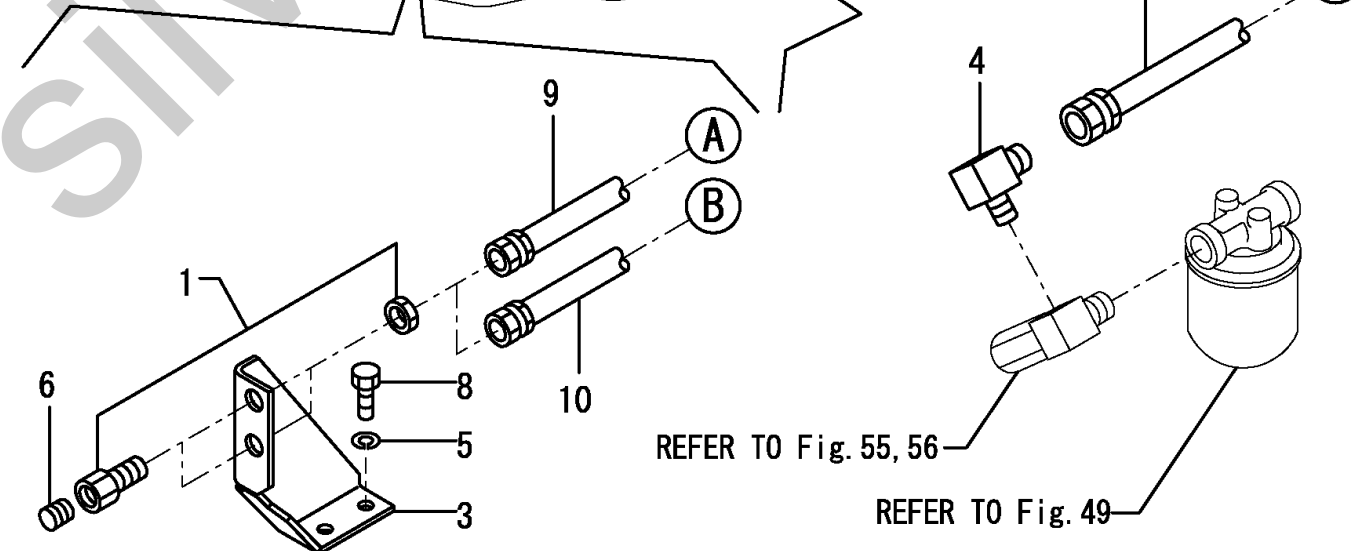


172446-08510
 PTOキット(ブームエンド)は
 項目70を参照下さい。
 P. T. O. KIT (BOOM END)
 is shown in FIG. 70.

172446-08500
 PTOキット(フレームエンド)は
 項目70を参照下さい。
 P. T. O. KIT (FRAME END)
 is shown in FIG. 70.



コントロールバルブ
 CONTROL VALVE

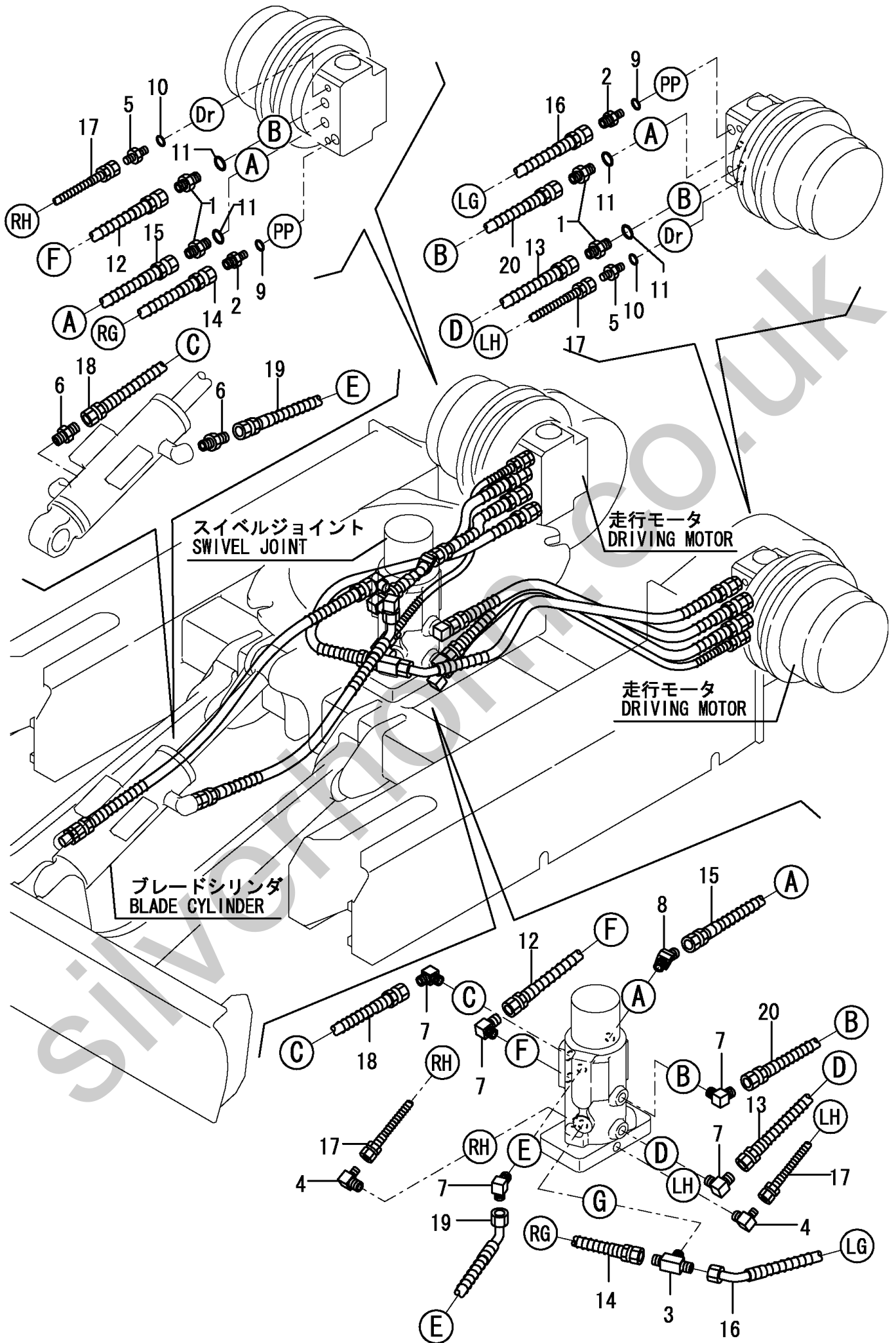


REFER TO Fig. 55, 56

REFER TO Fig. 49

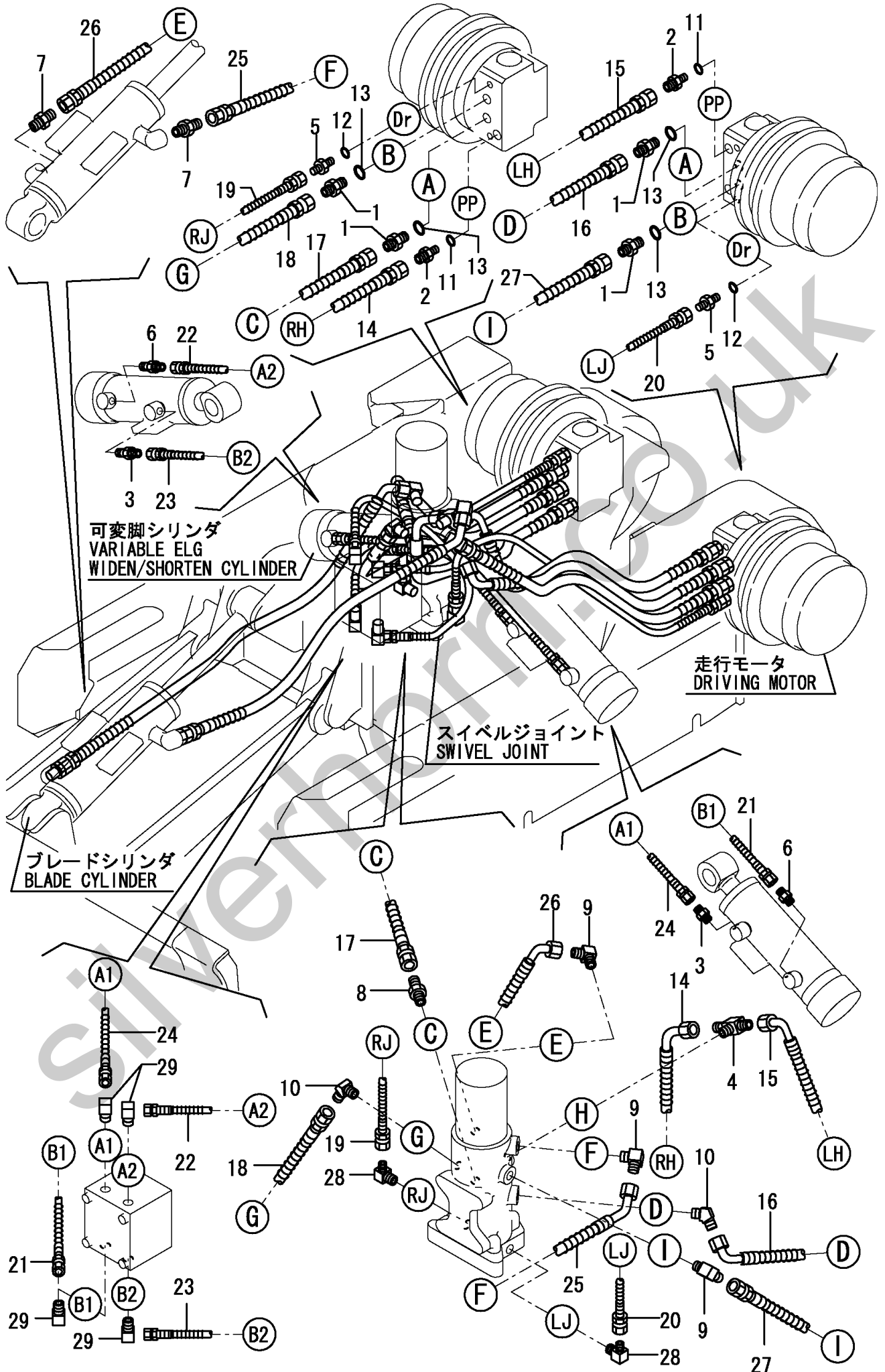
1,1,,172157-76150,, "CONNECTOR 3/8-1/4",4,4,,,,,,,,,,,,,,,,,,,,,
2,1,,172447-76210,, "JOINT G1/8-G1/4",2,2,,,,,,,,,,,,,,,,,,,,,
3,1,,172162-76320,, "CONNECTOR 3-1/4",1,1,,,,,,,,,,,,,,,,,,,,,
4,1,,172447-76520,, "JOINT 90RGI-1/4",2,2,,,,,,,,,,,,,,,,,,,,,
5,1,,172447-76700,, "JOINT G1/4-G1/8",2,2,,,,,,,,,,,,,,,,,,,,,
6,1,,23391-020000,, "JOINT RGI1/4",2,2,,,,,,,,,,,,,,,,,,,,,
7,1,,23393-020000,, "JOINT 90RGI1/4",5,5,,,,,,,,,,,,,,,,,,,,,
8,1,,23394-020000,, "JOINT 45RGI1/4",1,1,,,,,,,,,,,,,,,,,,,,,
9,1,,24315-000080,, "O-RING 1B P-8.0",2,2,,,,,,,,,,,,,,,,,,,,,
10,1,,24315-000110,, "O-RING 1B P-11.0",2,2,,,,,,,,,,,,,,,,,,,,,
11,1,,24315-000140,, "O-RING 1B P-14.0",4,4,,,,,,,,,,,,,,,,,,,,,
12,1,,172446-78350,, "HOSE P204BB052W",1,1,,,,,,,,,,,,,,,,,,,,,
13,1,,172446-78350,, "HOSE P204BB052W",1,1,,,,,,,,,,,,,,,,,,,,,
14,1,,172446-78360,, "HOSE P204BB075W",1,1,,,,,,,,,,,,,,,,,,,,,
15,1,,172446-78370,, "HOSE P204BD047W",1,1,,,,,,,,,,,,,,,,,,,,,
16,1,,172446-78380,, "HOSE P204BD058W",1,1,,,,,,,,,,,,,,,,,,,,,
17,1,,172446-78390,, "HOSE P202BB054W",2,2,,,,,,,,,,,,,,,,,,,,,
18,1,,172446-78400,, "HOSE P204BB063W",1,1,,,,,,,,,,,,,,,,,,,,,
19,1,,172446-78410,, "HOSE P204BC043W",1,1,,,,,,,,,,,,,,,,,,,,,
20,1,,172446-78300,, "HOSE P204BB052W",1,1,,,,,,,,,,,,,,,,,,,,,

Silverhorn.CO.UK



1,1,,172157-76150,, "CONNECTOR 3/8-1/4",4,4,,,,,,,,,,,,,,,,,
2,1,,172447-76210,, "JOINT G1/8-G1/4",2,2,,,,,,,,,,,,,,,,,
3,1,,172157-76290,, "NIPPLE PT,PF1/8",2,2,,,,,,,,,,,,,,,,,
4,1,,172162-76320,, "CONNECTOR 3-1/4",1,1,,,,,,,,,,,,,,,,,
5,1,,172447-76700,, "JOINT G1/4-G1/8",2,2,,,,,,,,,,,,,,,,,
6,1,,172112-77580,, "JOINT 1/8",2,2,,,,,,,,,,,,,,,,,
7,1,,23391-020000,, "JOINT RGI1/4",2,2,,,,,,,,,,,,,,,,,
8,1,,23391-020000,, "JOINT RGI1/4",1,1,,,,,,,,,,,,,,,,,
9,1,,23393-020000,, "JOINT 90RGI1/4",3,3,,,,,,,,,,,,,,,,,
10,1,,23394-020000,, "JOINT 45RGI1/4",2,2,,,,,,,,,,,,,,,,,
11,1,,24315-000080,, "O-RING 1B P-8.0",2,2,,,,,,,,,,,,,,,,,
12,1,,24315-000110,, "O-RING 1B P-11.0",2,2,,,,,,,,,,,,,,,,,
13,1,,24315-000140,, "O-RING 1B P-14.0",4,4,,,,,,,,,,,,,,,,,
14,1,,172446-78550,, "HOSE P204BD082W",1,1,,,,,,,,,,,,,,,,,
15,1,,172446-78570,, "HOSE P204BC070W",1,1,,,,,,,,,,,,,,,,,
16,1,,172446-78580,, "HOSE P204BC076W",1,1,,,,,,,,,,,,,,,,,
17,1,,172446-78700,, "HOSE P204BB077W",1,1,,,,,,,,,,,,,,,,,
18,1,,172446-78590,, "HOSE P204BB077W",1,1,,,,,,,,,,,,,,,,,
19,1,,172446-78600,, "HOES P202BB080W",1,1,,,,,,,,,,,,,,,,,
20,1,,172446-78610,, "HOSE P202BB090W",1,1,,,,,,,,,,,,,,,,,
21,1,,172446-78620,, "HOSE P202FF055W",1,1,,,,,,,,,,,,,,,,,
22,1,,172446-78630,, "HOSE P202FF050W",1,1,,,,,,,,,,,,,,,,,
23,1,,172446-78640,, "HOSE P202FF045W",1,1,,,,,,,,,,,,,,,,,
24,1,,172446-78640,, "HOSE P202FF045W",1,1,,,,,,,,,,,,,,,,,
25,1,,172446-78660,, "HOSE P204BD058W",1,1,,,,,,,,,,,,,,,,,
26,1,,172446-78670,, "HOSE P204BD070W",1,1,,,,,,,,,,,,,,,,,
27,1,,172171-78850,, "HOSE P204BB085W",1,1,,,,,,,,,,,,,,,,,
28,1,,172447-76520,, "JOINT 90RGI-1/4",2,2,,,,,,,,,,,,,,,,,
29,1,,172112-77660,, "L-JOINT 1/8",4,4,,,,,,,,,,,,,,,,,





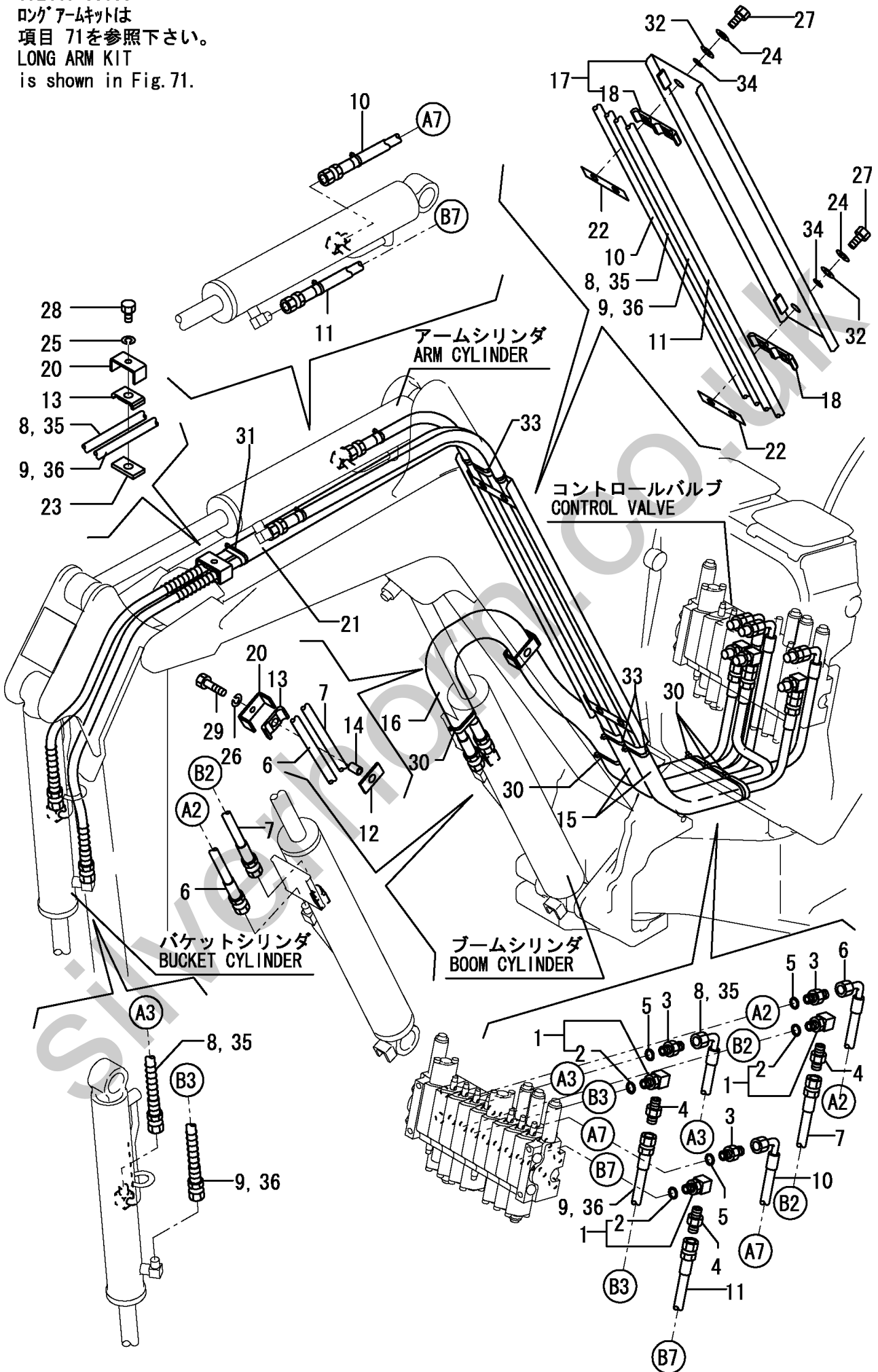
1,1,,172137-76100,, "ELBOW PF1/4",3,,,,,,,,,,,,,,,,,,,,,
 2,2,,24315-000110,, "O-RING 1B P-11.0",3,,,,,,,,,,,,,,,,,,,,,
 3,1,,172123-76120,, "CONNECTOR PF1/4",3,,,,,,,,,,,,,,,,,,,,,
 4,1,,23391-020000,, "JOINT RGI1/4",3,,,,,,,,,,,,,,,,,,,,,
 5,1,,24315-000110,, "O-RING 1B P-11.0",3,,,,,,,,,,,,,,,,,,,,,
 6,1,,172446-78161,, HOSE,1,,,,,,,,,,,,,,,,,,,,,
 7,1,,172446-78171,, HOSE,1,,,,,,,,,,,,,,,,,,,,,
 8,1,,172446-78190,, "HOSE P204BC246W",1,,,,,,,,,,,,,,,,,,,,,
 9,1,,172446-78200,, "HOSE P204BB250W",1,,,,,,,,,,,,,,,,,,,,,
 10,1,,172446-78270,, "HOSE P204BC169K",1,,,,,,,,,,,,,,,,,,,,,
 11,1,,172446-78280,, "HOSE P204BB187K",1,,,,,,,,,,,,,,,,,,,,,
 12,1,,172156-78490,, "PLATE, RUBBER (B",1,,,,,,,,,,,,,,,,,,,,,
 13,1,,172156-78520,, "SUPPORT, HOSE (B",2,,,,,,,,,,,,,,,,,,,,,
 14,1,,172156-78540,, "COLLAR 9X 18",1,,,,,,,,,,,,,,,,,,,,,
 15,1,,172157-78640,, "COVER 20X500,HOSE",2,,,,,,,,,,,,,,,,,,,,,
 16,1,,172446-78680,, "COVER 20X1150,HOSE",1,,,,,,,,,,,,,,,,,,,,,
 17,1,,172446-78710,, "COVER,HOSE(YELLOW:87",1,,,,,,,,,,,,,,,,,,,,,
 18,2,,172156-78510,, "SUPPORT, HOSE (A",2,,,,,,,,,,,,,,,,,,,,,
 20,1,,172446-78750,, "CLAMP,HOSE(YELLOW:87",2,,,,,,,,,,,,,,,,,,,,,
 21,1,,172175-78760,, "HOSE COVER 20-650",1,,,,,,,,,,,,,,,,,,,,,
 22,1,,172446-78760,, "RUBBER PLATE A",2,,,,,,,,,,,,,,,,,,,,,
 23,1,,172446-78770,, "RUBBER PLATE B",1,,,,,,,,,,,,,,,,,,,,,
 24,1,,22217-080000,, "SPRING WASHER 8",4,,,,,,,,,,,,,,,,,,,,,
 25,1,,22217-080000,, "SPRING WASHER 8",1,,,,,,,,,,,,,,,,,,,,,
 26,1,,22217-080000,, "SPRING WASHER 8",1,,,,,,,,,,,,,,,,,,,,,
 27,1,,26116-080162,, "BOLT 8X16",4,,,,,,,,,,,,,,,,,,,,,
 28,1,,26116-080162,, "BOLT 8X16",1,,,,,,,,,,,,,,,,,,,,,
 29,1,,26116-080302,, "BOLT 8X30",1,,,,,,,,,,,,,,,,,,,,,
 30,1,,933168-55770,, "BAND 146",5,,,,,,,,,,,,,,,,,,,,,
 31,1,,933168-55770,, "BAND 146",1,,,,,,,,,,,,,,,,,,,,,
 32,1,,22157-080000,, "WASHER 8",4,,,,,,,,,,,,,,,,,,,,,
 33,1,,194202-56460,, BAND,3,,,,,,,,,,,,,,,,,,,,,
 34,1,,22117-080000,, "WASHER 8",4,,,,,,,,,,,,,,,,,,,,,
 35,1,,172446-78850,, "HOSE P304BC266W",1,,,,,1,,,,,1,,,,,I
 36,1,,172446-78860,, "HOSE P204BB270W",1,,,,,1,,,,,1,,,,,I



172446-08600

ロングアームキットは
項目 71を参照下さい。

LONG ARM KIT
is shown in Fig. 71.



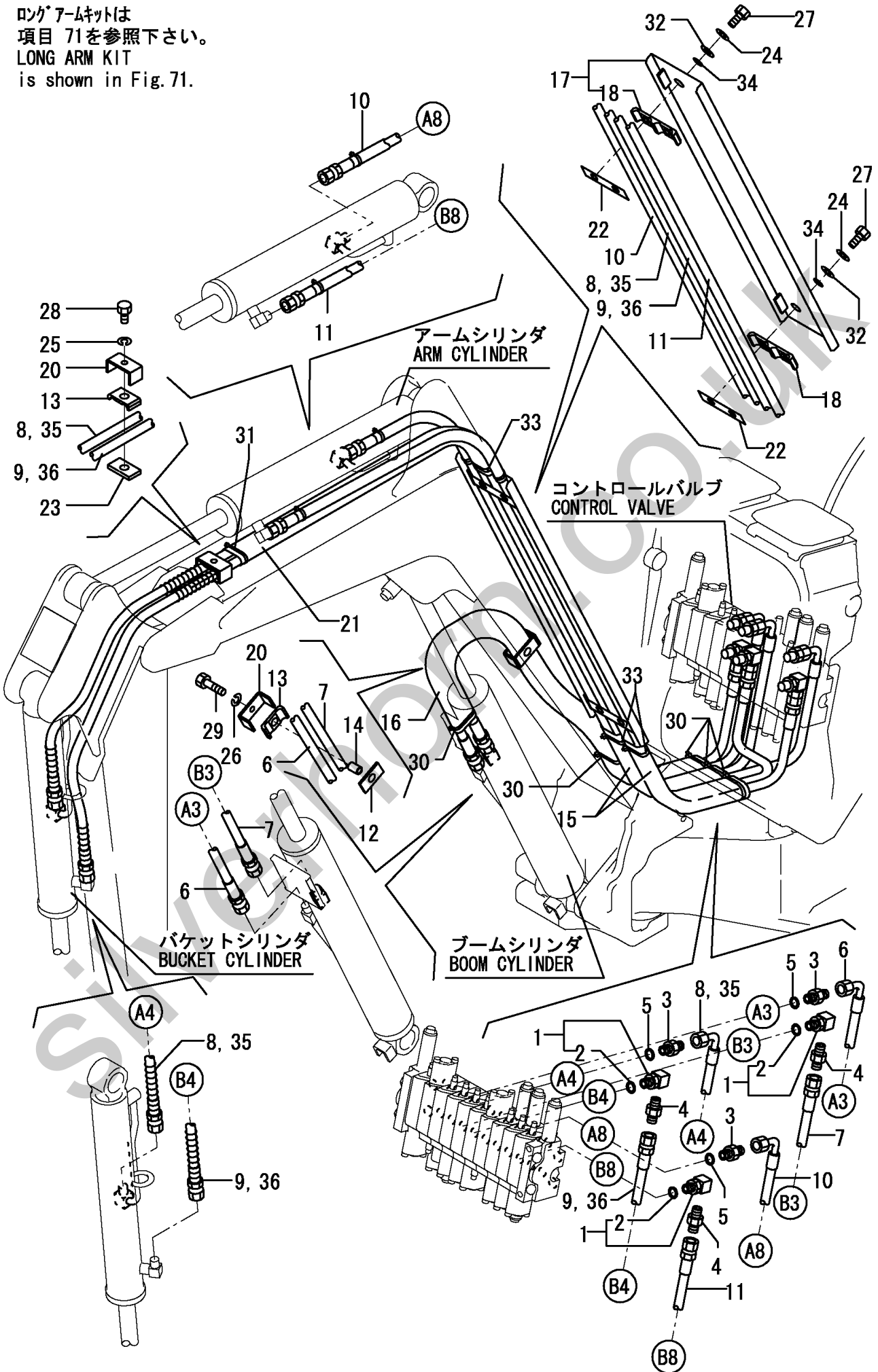
1,1,,172137-76100,, "ELBOW PF1/4",3,3,,,,,,,,,,,,,,,,,,,,,
 2,2,,24315-000110,, "O-RING 1B P-11.0",3,3,,,,,,,,,,,,,,,,,,,,,
 3,1,,172123-76120,, "ADAPTER, PF1/4",3,3,,,,,,,,,,,,,,,,,,,,,
 4,1,,23391-020000,, "JOINT RGI1/4",3,3,,,,,,,,,,,,,,,,,,,,,
 5,1,,24315-000110,, "O-RING 1B P-11.0",3,3,,,,,,,,,,,,,,,,,,,,,
 6,1,,172446-78161,, HOSE,1,1,,,,,,,,,,,,,,,,,,,,,
 7,1,,172446-78171,, HOSE,1,1,,,,,,,,,,,,,,,,,,,,,
 8,1,,172446-78190,, "HOSE P204BC246W",1,1,,,,,,,,,,,,,,,,,,,,,
 9,1,,172446-78200,, "HOSE P204BB250W",1,1,,,,,,,,,,,,,,,,,,,,,
 10,1,,172446-78270,, "HOSE P204BC169K",1,1,,,,,,,,,,,,,,,,,,,,,
 11,1,,172446-78280,, "HOSE P204BB187K",1,1,,,,,,,,,,,,,,,,,,,,,
 12,1,,172156-78490,, "PLATE, RUBBER (B",1,1,,,,,,,,,,,,,,,,,,,,,
 13,1,,172156-78520,, "SUPPORT, HOSE (B",2,2,,,,,,,,,,,,,,,,,,,,,
 14,1,,172156-78540,, "COLLAR 9X 18",1,1,,,,,,,,,,,,,,,,,,,,,
 15,1,,172157-78640,, "COVER 20X500,HOSE",2,2,,,,,,,,,,,,,,,,,,,,,
 16,1,,172446-78680,, "COVER 20X1150,HOSE",1,1,,,,,,,,,,,,,,,,,,,,,
 17,1,,172446-78710,, "COVER,HOSE(YELLOW:87",1,1,,,,,,,,,,,,,,,,,,,,,
 18,2,,172156-78510,, "SUPPORT, HOSE (A",2,2,,,,,,,,,,,,,,,,,,,,,
 20,1,,172446-78750,, "CLAMP,HOSE(YELLOW:87",2,2,,,,,,,,,,,,,,,,,,,,,
 21,1,,172175-78760,, "HOSE COVER 20-650",1,1,,,,,,,,,,,,,,,,,,,,,
 22,1,,172446-78760,, "RUBBER PLATE A",2,2,,,,,,,,,,,,,,,,,,,,,
 23,1,,172446-78770,, "RUBBER PLATE B",1,1,,,,,,,,,,,,,,,,,,,,,
 24,1,,22217-080000,, "SPRING WASHER 8",4,4,,,,,,,,,,,,,,,,,,,,,
 25,1,,22217-080000,, "SPRING WASHER 8",1,1,,,,,,,,,,,,,,,,,,,,,
 26,1,,22217-080000,, "SPRING WASHER 8",1,1,,,,,,,,,,,,,,,,,,,,,
 27,1,,26116-080162,, "BOLT 8X16",4,4,,,,,,,,,,,,,,,,,,,,,
 28,1,,26116-080162,, "BOLT 8X16",1,1,,,,,,,,,,,,,,,,,,,,,
 29,1,,26116-080302,, "BOLT 8X30",1,1,,,,,,,,,,,,,,,,,,,,,
 30,1,,933168-55770,, "BAND 146",5,5,,,,,,,,,,,,,,,,,,,,,
 31,1,,933168-55770,, "BAND 146",1,1,,,,,,,,,,,,,,,,,,,,,
 32,1,,22157-080000,, "WASHER 8",4,4,,,,,,,,,,,,,,,,,,,,,
 33,1,,194202-56460,, BAND,3,3,,,,,,,,,,,,,,,,,,,,,
 34,1,,22117-080000,, "WASHER 8",4,4,,,,,,,,,,,,,,,,,,,,,
 35,1,,172446-78850,, "HOSE P304BC266W",1,1,,,,,1,,,,,,,,,,,,,I
 36,1,,172446-78860,, "HOSE P204BB270W",1,1,,,,,1,,,,,,,,,,,,,I



172446-08600

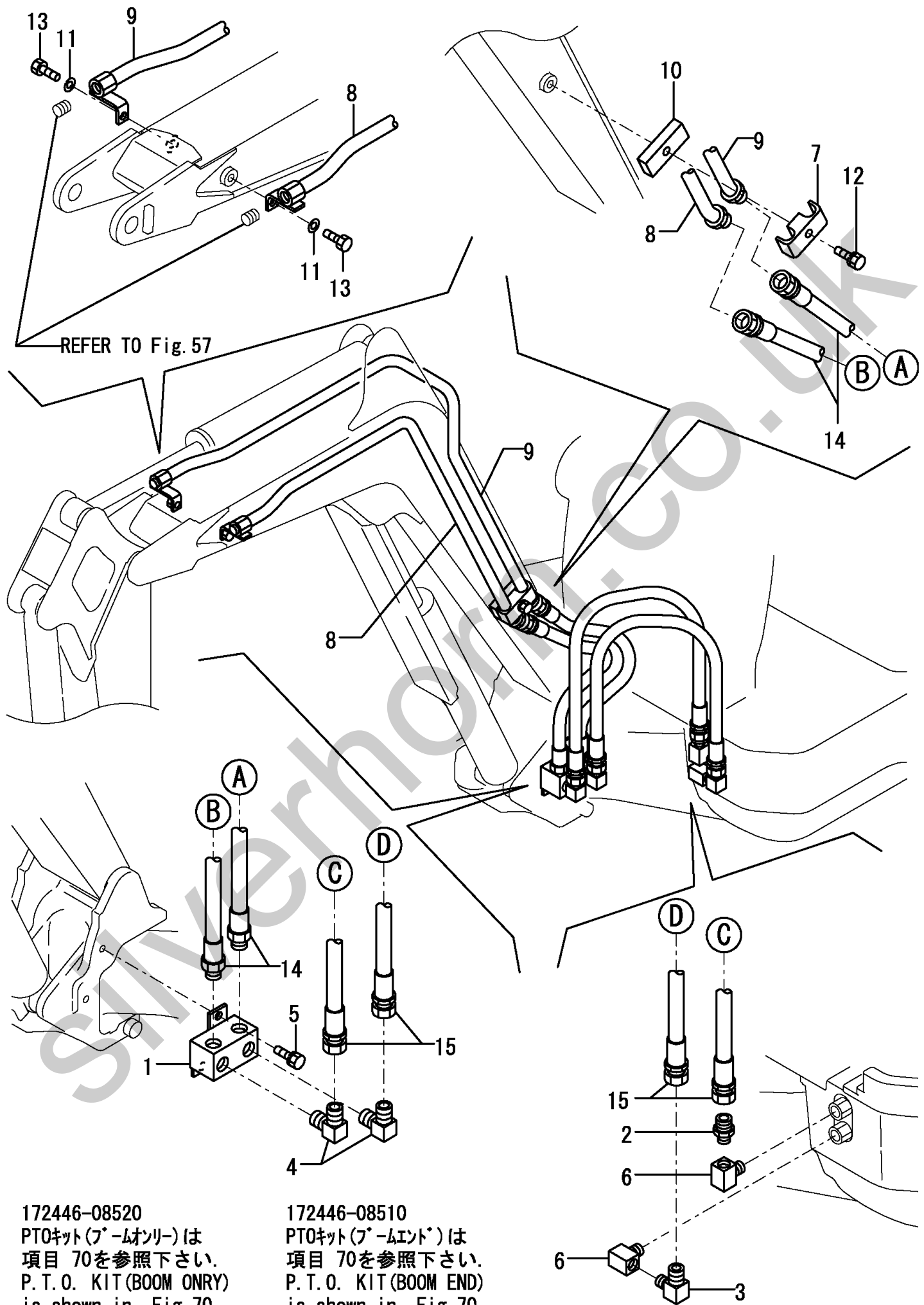
ロングアームキットは
項目 71を参照下さい。

LONG ARM KIT
is shown in Fig. 71.



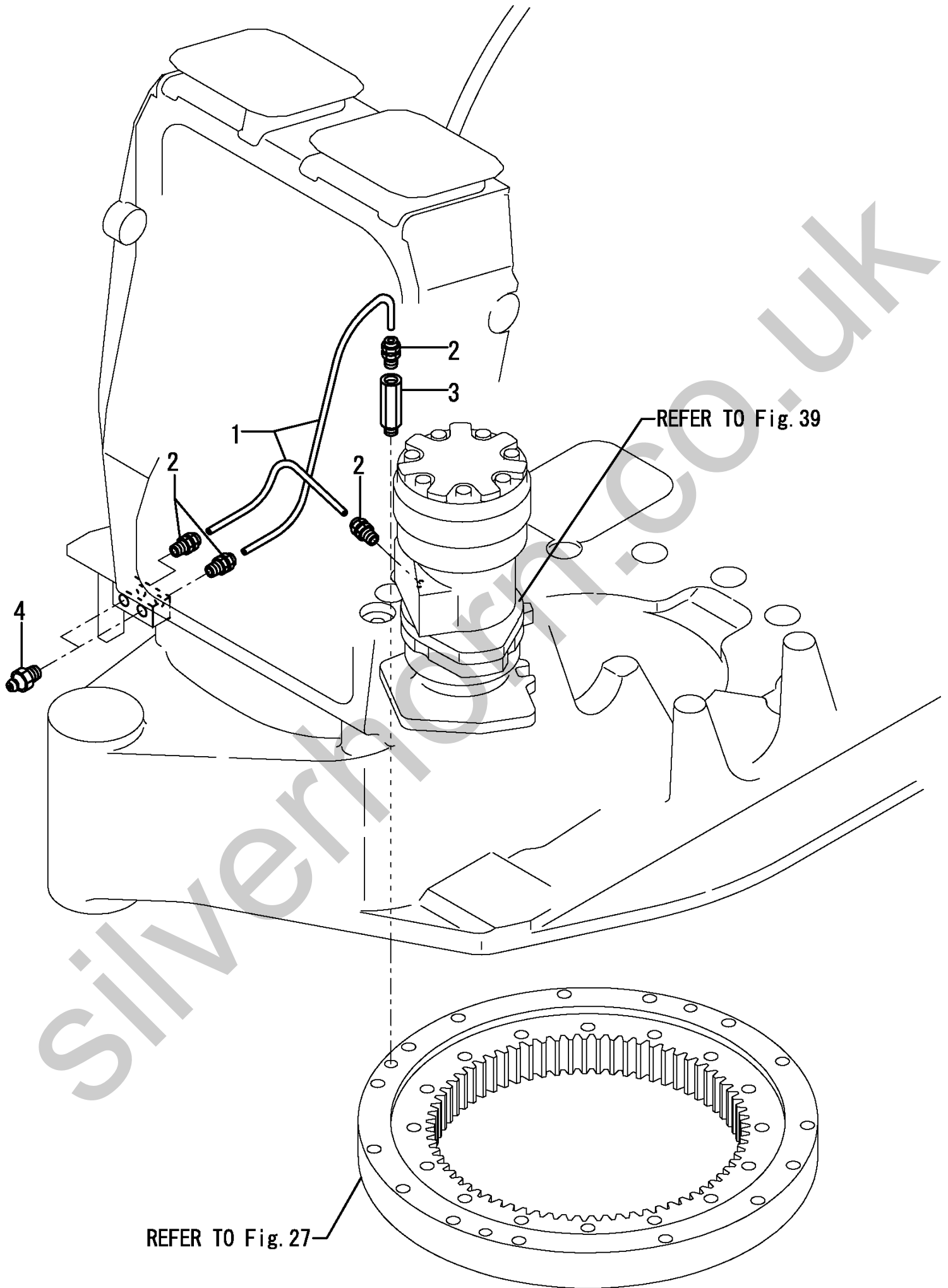
1,1,,172446-76350,, "JOINT 1/2",1,,,,,,,,,,,,,,,,,,,,,
2,1,,172141-76940,, "ADAPTOR 1/2-3/8",1,,,,,,,,,,,,,,,,,,,,,
3,1,,172141-76990,, "BUSH 38-55, PIN",1,,,,,,,,,,,,,,,,,,,,,
4,1,,23393-040000,, "JOINT 90RGI 1/2",2,,,,,,,,,,,,,,,,,,,,,
5,1,,26013-100202,, "BOLT W/WASHER M10X20",2,,,,,,,,,,,,,,,,,,,,,
6,1,,933166-24240,, "ELBOW, SWIVEL JOINT",2,,,,,,,,,,,,,,,,,,,,,
7,1,,172112-76300,, "RETAINER A,BOOM PIPE",1,,,,,,,,,,,,,,,,,,,,,
8,1,,172446-76500,, "TUBE L,P.T.O. (87)",1,,,,,,,,,,,,,,,,,,,,,
9,1,,172446-76520,, "TUBE R,P.T.O. (87)",1,,,,,,,,,,,,,,,,,,,,,
10,1,,172175-76590,, "PLATE,SPACER",1,,,,,,,,,,,,,,,,,,,,,
11,1,,22217-100000,, "SPRING WASHER 10",2,,,,,,,,,Z,,72446087,M/#00501,,,,,,,,,I
12,1,,26013-100552,, "BOLT M10X 55",1,,,,,,,,,,,,,,,,,,,,,
13,1,,26116-100202,, "BOLT M10X 20 PLATED",2,,,,,,,,,,,,,,,,,,,,,
13-1,1,,26013-100202,, "BOLT W/WASHER
M10X20",2,,,,,,,,,N,,72446087,M/#00501,,,,,,,,,I
14,1,,172446-78800,, "HOSE H206AB039K",2,,,,,,,,,,,,,,,,,,,,,
15,1,,172446-78810,, "HOSE H206BB075K",2,,,,,,,,,,,,,,,,,,,,,

Silverhorn.CO.UK



1,1,,172446-77100,, "HOSE P602YY043",2,2,,,,,,,,,,,,,
2,1,,172141-77800,, "JOINT, GREASE",4,4,,,,,,,,,,,,,
3,1,,172147-77800,, "CONNECTOR PT 1/8",1,1,,,,,,,,,,,,,
4,1,,24761-020000,, "NIPPLE PT1/8,GREASE",2,2,,,,,,,,,,,,,

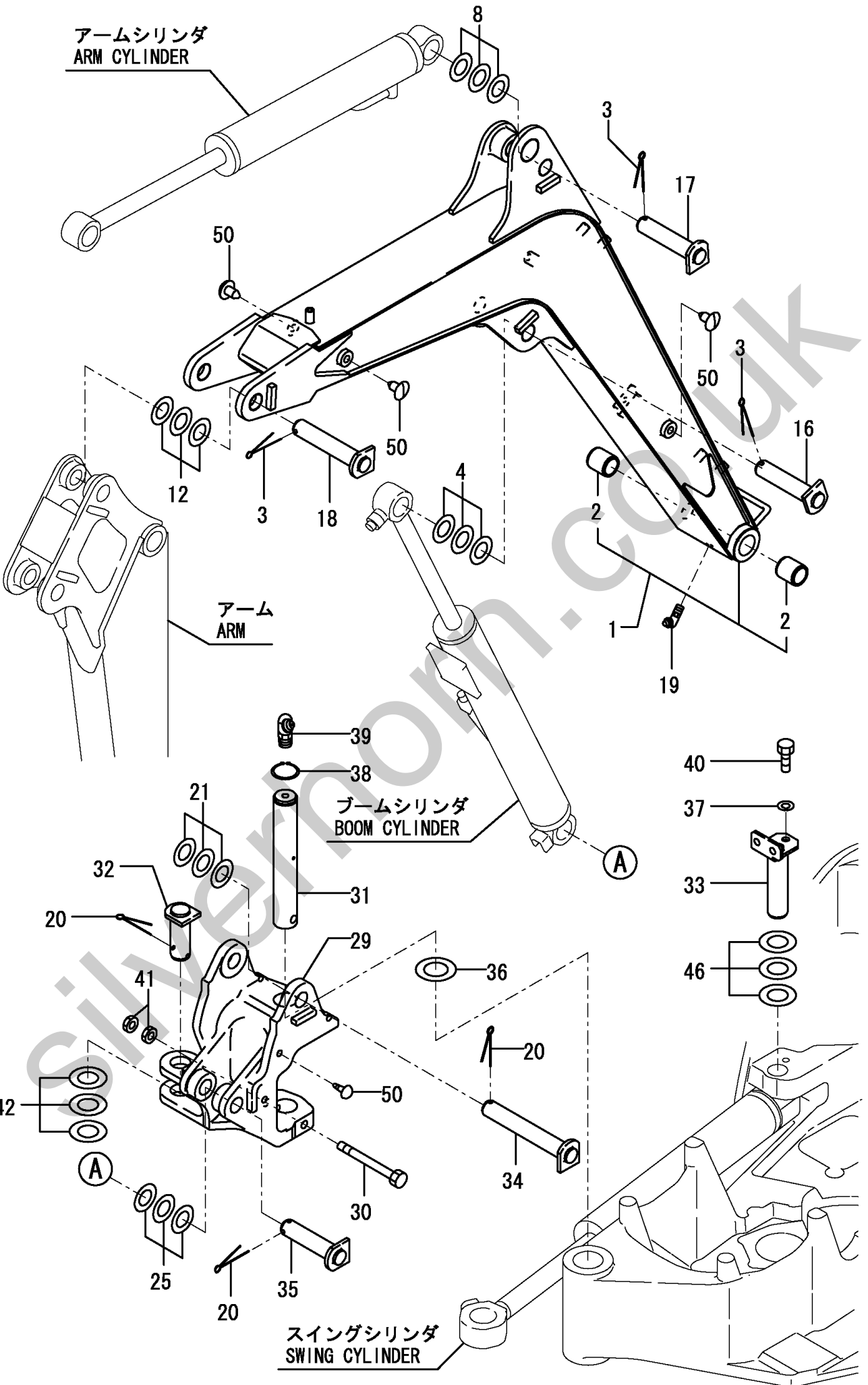
Silverhorn.CO.UK



1,1,,172446-81100,, "BOOM (YELLOW:87)",1,1,.....
2,2,,172156-72410,, "PIN BUSH 25 35 A",2,2,.....
3,1,,172155-81390,, "COTTER PIN 6X 35",3,3,.....
4,1,,172156-81400,, "SHIM 25-45",1,1,.....
8,1,,172156-81400,, "SHIM 25-45",1,1,.....
12,1,,172156-81400,, "SHIM 25-45",1,1,.....
16,1,,172446-81400,, "PIN 25X106",1,1,.....
17,1,,172446-81400,, "PIN 25X106",1,1,.....
18,1,,172446-81420,, "PIN 25X124",1,1,.....
19,1,,24761-040000,, "NIPPLE B,GREASE",1,1,.....
20,1,,172155-81390,, "COTTER PIN 6X 35",3,3,.....
21,1,,172156-81400,, "SHIM 25-45",1,1,.....
25,1,,172156-81400,, "SHIM 25-45",1,1,.....
29,1,,172446-82300,, "BRACKET,BOOM (87)",1,1,.....
30,1,,172157-82340,, "BOLT 12X 95",1,1,.....
31,1,,172446-82350,, "PIN 35X233",1,1,.....
32,1,,172446-82370,, "PIN 30X67",1,1,.....
33,1,,172446-82400,, "PIN 30X93",1,1,.....
34,1,,172446-82450,, "PIN 25X161",1,1,.....
35,1,,172446-82480,, "PIN 25X98",1,1,.....
36,1,,172141-84630,, "SHIM 35X60X0.5",1,1,.....
37,1,,22217-100000,, "SPRING WASHER 10",1,1,.....
38,1,,22242-000350,, "CIRCLIP 35",1,1,.....
39,1,,24761-040000,, "NIPPLE B,GREASE",1,1,.....
40,1,,26116-100202,, "BOLT M10X 20 PLATED",1,1,.....
41,1,,26756-120002,, "LOCK NUT 12",2,2,.....
42,1,,933160-06711,, "SHIM 30, PIN ADJUST",1,1,.....
46,1,,933160-06711,, "SHIM 30, PIN ADJUST",1,1,.....
50,1,,172122-17190,, "CLIP,5,5",.....

Silverhorn.CO.UK

アームシリンダ
ARM CYLINDER



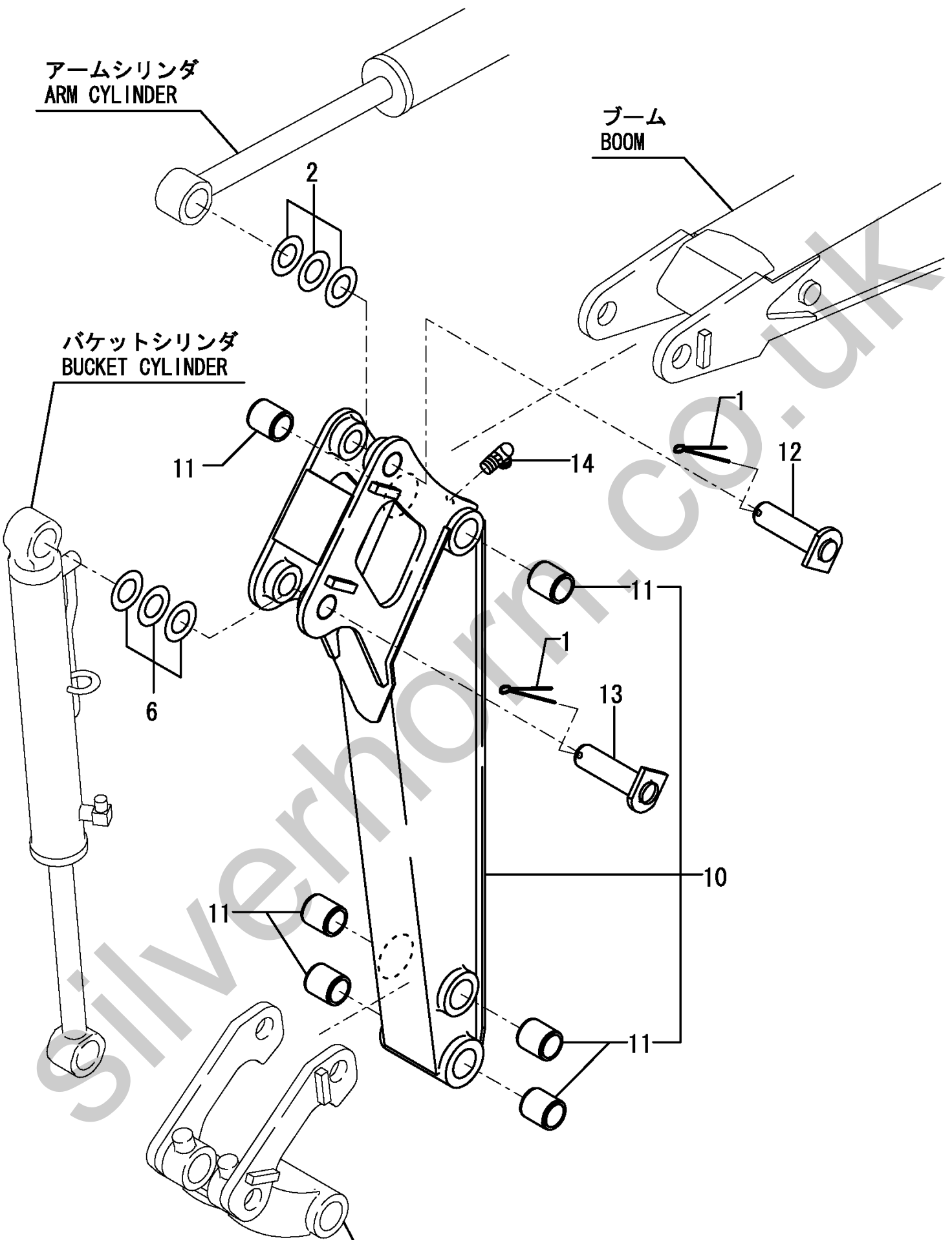
1,1,,172155-81390,, "COTTER PIN 6X 35",2,2,,,,,,,,,,,,,,,,,,,,,
2,1,,172156-81400,, "SHIM 25-45",1,1,,,,,,,,,,,,,,,,,,,,,
6,1,,172156-81400,, "SHIM 25-45",1,1,,,,,,,,,,,,,,,,,,,,,
10,1,,172446-81500,, "ARM,670 (YELLOW:87)",1,1,,,,,,,,,,,,,,,,,,,,,
11,2,,172157-81360,, "BUSH 25 35 A, PIN",6,6,,,,,,,,,,,,,,,,,,,,,
12,1,,172446-81620,, "PIN 25X83",1,1,,,,,,,,,,,,,,,,,,,,,
13,1,,172446-81620,, "PIN 25X83",1,1,,,,,,,,,,,,,,,,,,,,,
14,1,,24761-050000,, "NIPPLE C,GREASE",1,1,,,,,,,,,,,,,,,,,,,,,

Silverhorn.CO.UK

アームシリンダ
ARM CYLINDER

ブーム
BOOM

バケットシリンダ
BUCKET CYLINDER



REFER TO Fig. 67

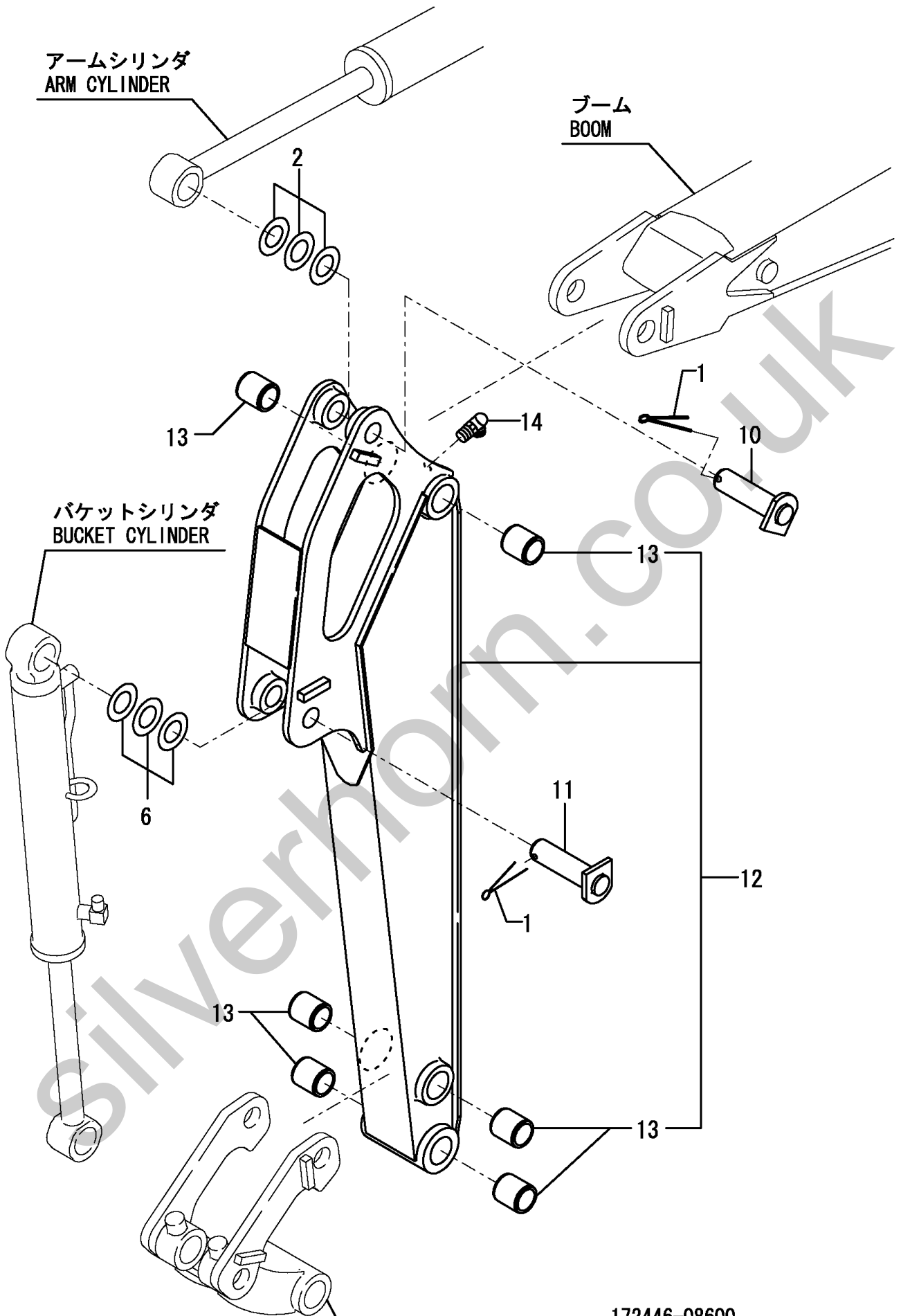
1,1,,172155-81390,, "COTTER PIN 6X 35",2,,,,,,,,,,,,,I
2,1,,172156-81400,, "SHIM 25-45",1,,,,,,,,,,,,,I
6,1,,172156-81400,, "SHIM 25-45",1,,,,,,,,,,,,,I
10,1,,172446-81620,, "PIN 25X83",1,,,,,,,,,,,,,I
11,1,,172446-81620,, "PIN 25X83",1,,,,,,,,,,,,,I
12,1,,172446-81900,, "ARM,870",1,,,,,,,,,,,,,I
13,2,,172157-81360,, "BUSH 25 35 A, PIN",6,,,,,,,,,,,,,I
14,1,,24761-050000,, "NIPPLE C,GREASE",1,,,,,,,,,,,,,I

Silverhorn.CO.UK

アームシリンダ
ARM CYLINDER

ブーム
BOOM

バケットシリンダ
BUCKET CYLINDER



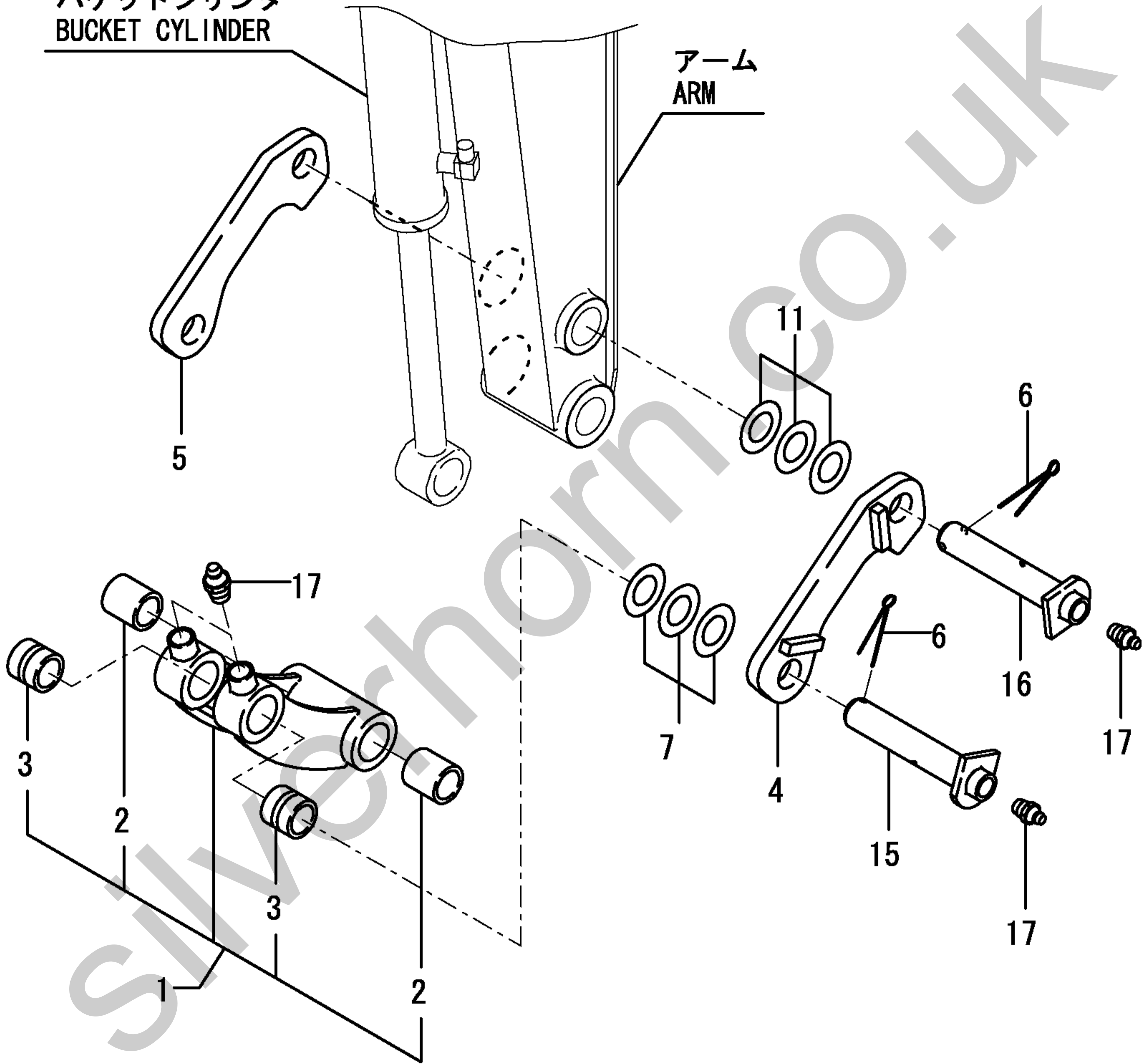
REFER TO Fig. 67

172446-08600
ロングアームキットは
項目71を参照下さい。
LONG ARM KIT
is shown in Fig. 71.

1,1,,172157-81301-2,, "LINK, BUCKECT (87)",1,1,,,,,,,,,,,,,
2,2,,172157-81360,, "BUSH 25 35 A, PIN",2,2,,,,,,,,,,,,,
3,2,,172157-81370,, "BUSH 25 35, PIN",2,2,,,,,,,,,,,,,
4,1,,172157-81341-2,, "ARM L,BUCKET (87)",1,1,,,,,,,,,,,,,
5,1,,172157-81351-2,, "ARM,BUCKET(YELLOR:87",1,1,,,,,,,,,,,,,
6,1,,172155-81390,, "COTTER PIN 6X 35",2,2,,,,,,,,,,,,,
7,1,,172156-81400,, "SHIM 25-45",1,1,,,,,,,,,,,,,
11,1,,172156-81400,, "SHIM 25-45",1,1,,,,,,,,,,,,,
15,1,,172446-81800,, "PIN 25X125",1,1,,,,,,,,,,,,,
16,1,,172446-81800,, "PIN 25X125",1,1,,,,,,,,,,,,,
17,1,,24761-020000,, "NIPPLE PT1/8,GREASE",4,4,,,,,,,,,,,,,

Silverhorn.CO.UK

バケットシリンダ
BUCKET CYLINDER

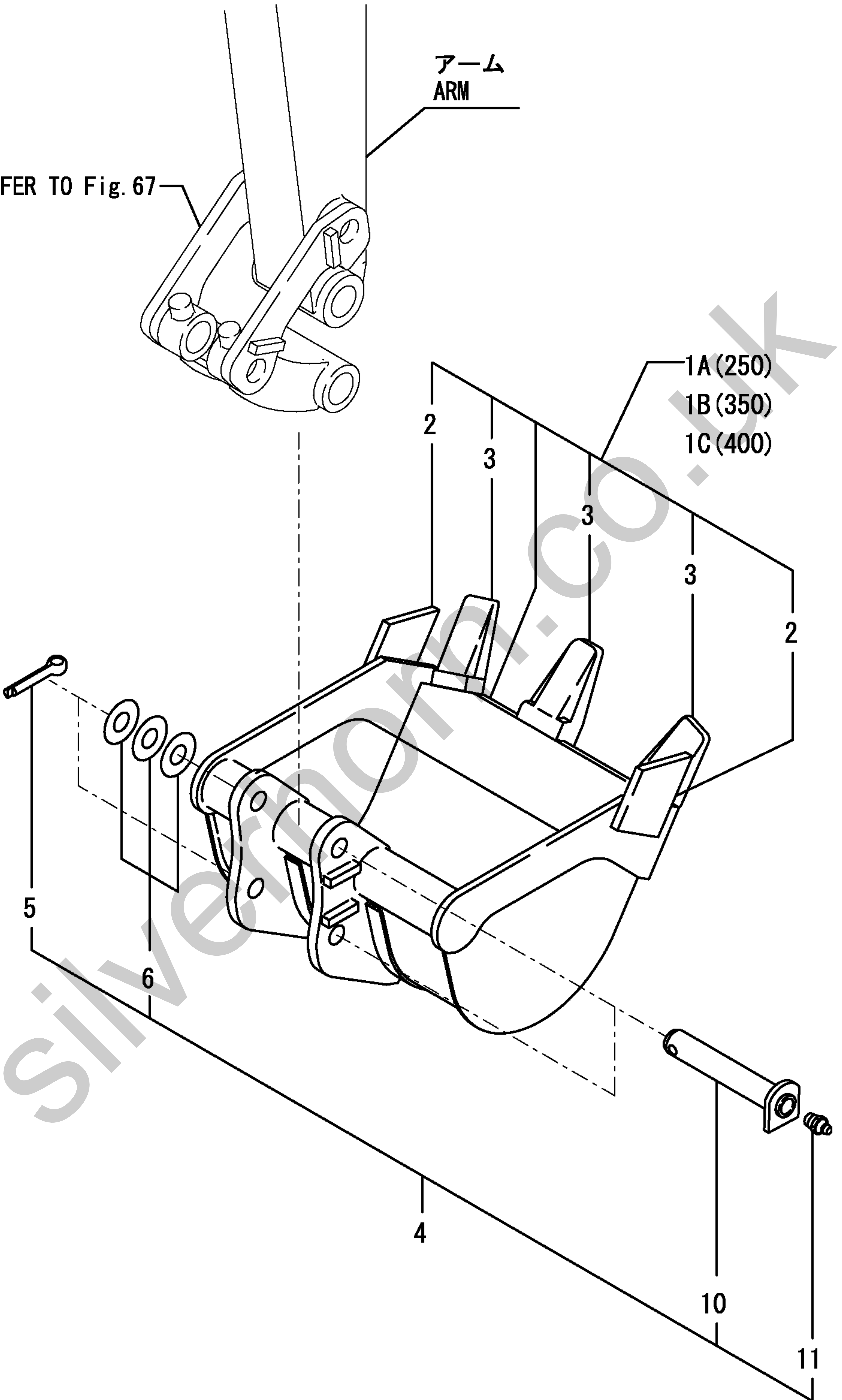


1A,1,,172157-81510-2,, "BUCKET 250(YELLOW:87",1,,,,,,,,,,,,,,,,,,,,,I
1B,1,,172157-81400-2,, "BUCKET 350(YELLOW:87",,1,,,,,1,,,,,,,,,,,,,
1C,1,,172157-81500-2,, "BUCKET 400(YELLOW:87",,1,,,,,,,,,,,,,,,,,,,,,I
2,2,,172137-86240-2,, "TEETH, SIDE(YELLOW87",2,2,2,,,,,,,,,,,,,,,,,,,,,
3,2,,172110-89130,, "TEETH,3,3,3,,,,,,,,,,,,,,,,,,,,,
4,1,,172446-81860,, "PIN KIT,BUCKET",2,2,2,,,,,,,,,,,,,,,,,,,,,
5,2,,172155-81390,, "COTTER PIN 6X 35",2,2,2,,,,,,,,,,,,,,,,,,,,,
6,2,,172156-81400,, "SHIM 25-45",2,2,2,,,,,,,,,,,,,,,,,,,,,
10,2,,172446-81800,, "PIN 25X125",1,1,1,,,,,,,,,,,,,,,,,,,,,
11,2,,24761-020000,, "NIPPLE PT1/8,GREASE",2,2,2,,,,,,,,,,,,,,,,,,,,,

Silverhorn.CO.UK

アーム
ARM

REFER TO Fig. 67

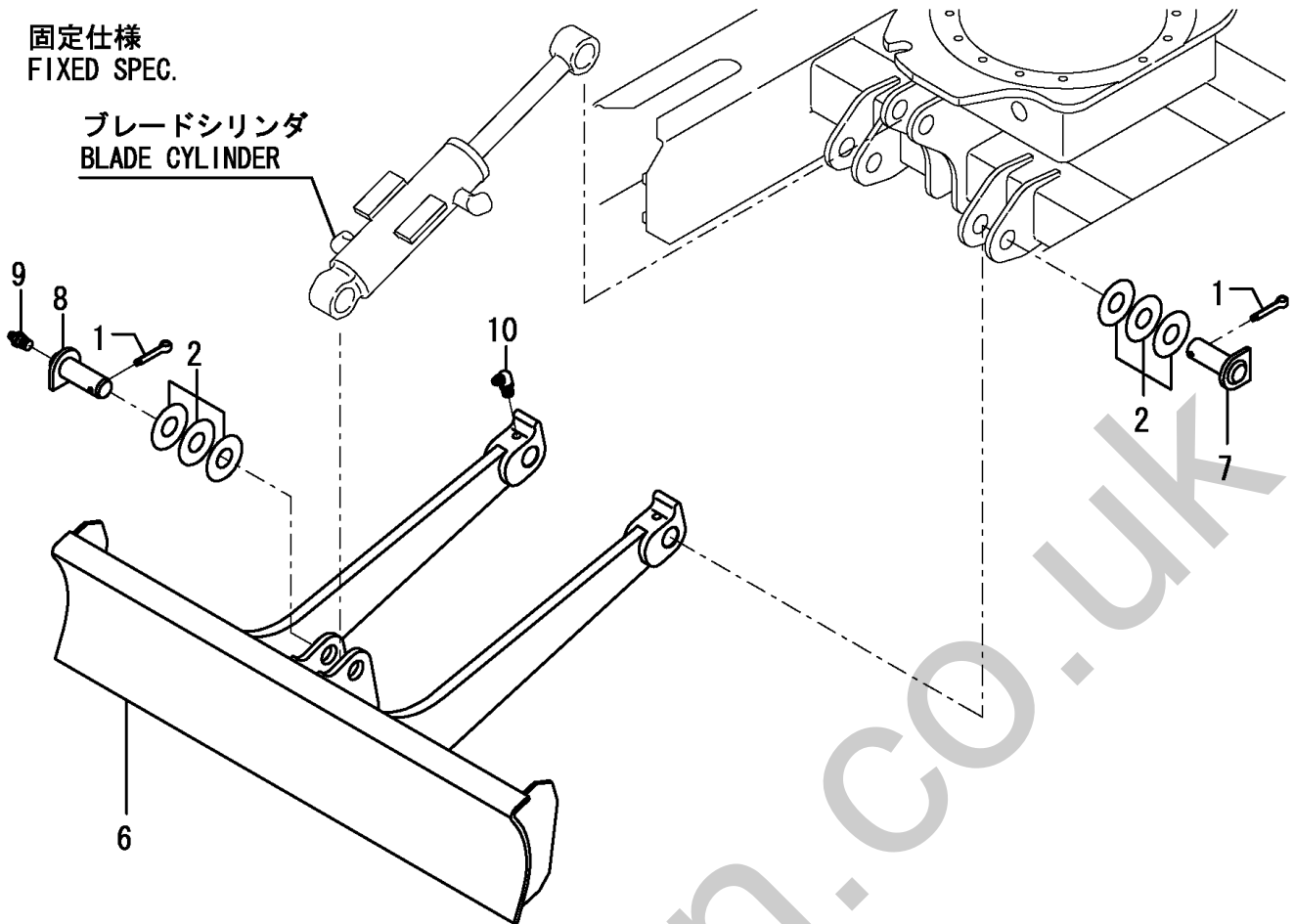


1,1,,172155-81390,, "COTTER PIN 6X 35",4,4,,,,,,,,,,,,,,,,,,,,,
2,1,,172156-81400,, "SHIM 25-45",4,4,,,,,,,,,,,,,,,,,,,,,
6,1,,172446-94100,, "BLADE (GREEN:88)",1,1,,,,,,,,,,,,,,,,,,,,,
7,1,,172446-94200,, "PIN 25X59",2,2,,,,,,,,,,,,,,,,,,,,,
8,1,,172446-94220,, "PIN 25X59 B",2,2,,,,,,,,,,,,,,,,,,,,,
9,1,,24761-020000,, "NIPPLE PT1/8,GREASE",2,2,,,,,,,,,,,,,,,,,,,,,
10,1,,24761-040000,, "NIPPLE B,GREASE",2,2,,,,,,,,,,,,,,,,,,,,,
11,1,,172155-81390,, "COTTER PIN 6X 35",4,4,,,,,,,,,,,,,,,,,,,,,
12,1,,172156-81400,, "SHIM 25-45",4,4,,,,,,,,,,,,,,,,,,,,,
16,1,,172446-94200,, "PIN 25X59",2,2,,,,,,,,,,,,,,,,,,,,,
17,1,,172446-94220,, "PIN 25X59 B",2,2,,,,,,,,,,,,,,,,,,,,,
18,1,,172446-94500,, "BLADE (GREEN:88)",1,1,,,,,,,,,,,,,,,,,,,,,
19,1,,172446-94600,, "BLADE L (GREEN:88)",1,1,,,,,,,,,,,,,,,,,,,,,
20,1,,172446-94610,, "BLADE R (GREEN:88)",1,1,,,,,,,,,,,,,,,,,,,,,
21,1,,172446-94700,, "PIN 20X107",2,2,,,,,,,,,,,,,,,,,,,,,
22,1,,172446-94710,, "PIN 20",2,2,,,,,,,,,,,,,,,,,,,,,
23,1,,22417-400350,, "COTTER PIN 4.0X35",2,2,,,,,,,,,,,,,,,,,,,,,
24,1,,24761-020000,, "NIPPLE PT1/8,GREASE",2,2,,,,,,,,,,,,,,,,,,,,,
25,1,,24761-040000,, "NIPPLE B,GREASE",2,2,,,,,,,,,,,,,,,,,,,,,

Silverhorn.CO.UK

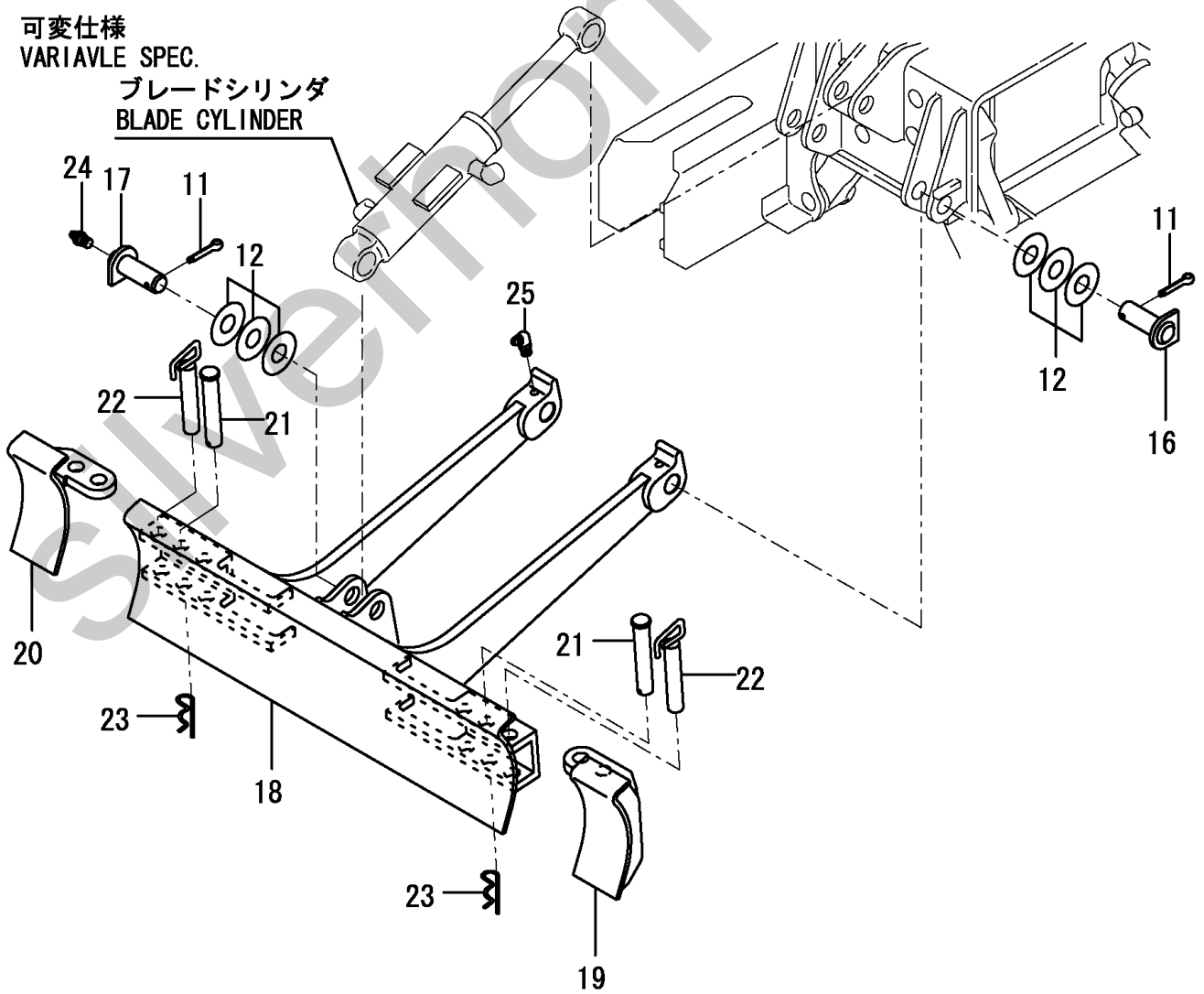
固定仕様
FIXED SPEC.

ブレードシリンダ
BLADE CYLINDER



可変仕様
VARIABLE SPEC.

ブレードシリンダ
BLADE CYLINDER



1,1,,172446-08510,, "P.T.O.KIT, BOOM END",1,,,,,,,,,,,,,
2,2,,172446-08500,, "P.T.O. KIT,FRAME END",1,,,,,,,,,,,,,
19,2,,172446-08520,, "P.T.O. KIT,BOOM ONLY",1,,,,,,,,,,,,,
34-1,2,,26013-100202,, "BOLT W/WASHER
M10X20",2,,,,,,N,,72446087,M/#00501,,,,,,,,,,I

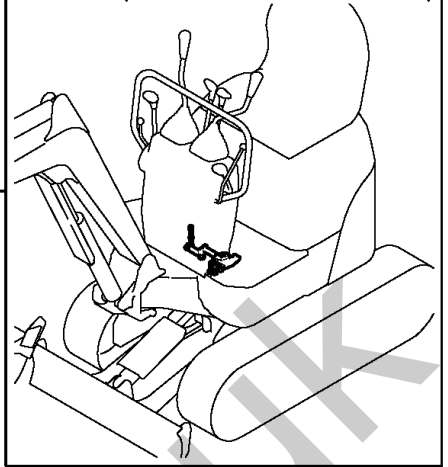
Silverhorn.CO.UK

PTOキット(フレームエンド)
P. T. O. KIT (FRAME END)
(172446-08500)

PTO配管の付いていない標準仕様に フレームエンドまでの油圧機能を追加する為のペダルロックと配管を加える改装部品です。

Parts in order to add hydraulic function of frame end to standard spec. with no P. T. O. piping.

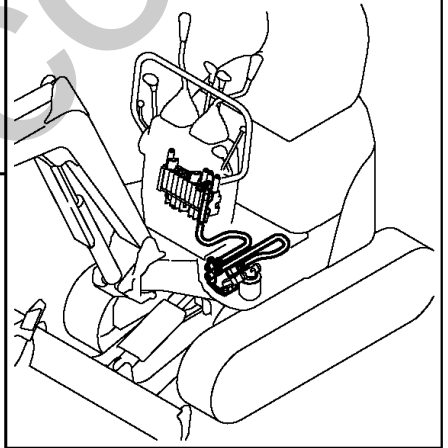
Fig. 23 操縦装置 (PTO & ローハイペダル)
CONTROL EQUIPMENT
(P. T. O. & LOW-HIGH PEDAL)



2

見出しNo. 2は、
項目23の
見出しNo. 18から21と
項目57の
見出しNo. 1から10を
含みます。
Ref No. 2
inc Fig. 23
Ref No. 18~21
inc Fig. 57
Ref No. 1~10.

Fig. 57 油圧配管 (PTOフレームエンド)
HYD. OIL PIPING
(P. T. O. FRAME END)



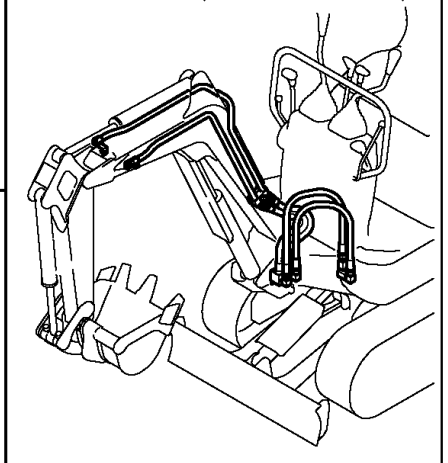
1

PTOキット(ブームエンド)
P. T. O. KIT (BOOM END)
(172446-08510)

PTO配管の付いていない標準仕様に フレームエンド及びブームエンドまでの配管及びペダルロックを加える改装部品です。

Parts in order to add pedal lock & piping of frame end & arm end to standard spec. to standard spec. With no P. T. O. piping.

Fig. 62 油圧配管 (PTOブームエンド)
HYD. OIL PIPING
(P. T. O. BOOM END)



19

PTOキット(ブームオンリー)
P. T. O. KIT (BOOM ONLY)
(172446-08520)

フレームエンドまでのPTO配管がセットされている仕様にブームエンドまで配管を延長する為の部品です。

P. T. O. piping parts in order to extend piping from frame end to boom end.

見出しNo. 19は、
項目62の見出しNo. 1から15を
含みます。
Ref No. 19
inc Fig. 62 Ref No. 1~15.

1,1,,172446-08600,, "ARM 870 KIT",1,,,,,,,,,,,,,,,,,,,,,I

Silverhorn.CO.UK

Fig. 60 油圧配管(ブーム) (固定脚)
HYD. OIL PIPING (BOOM)
(FIXED LED)

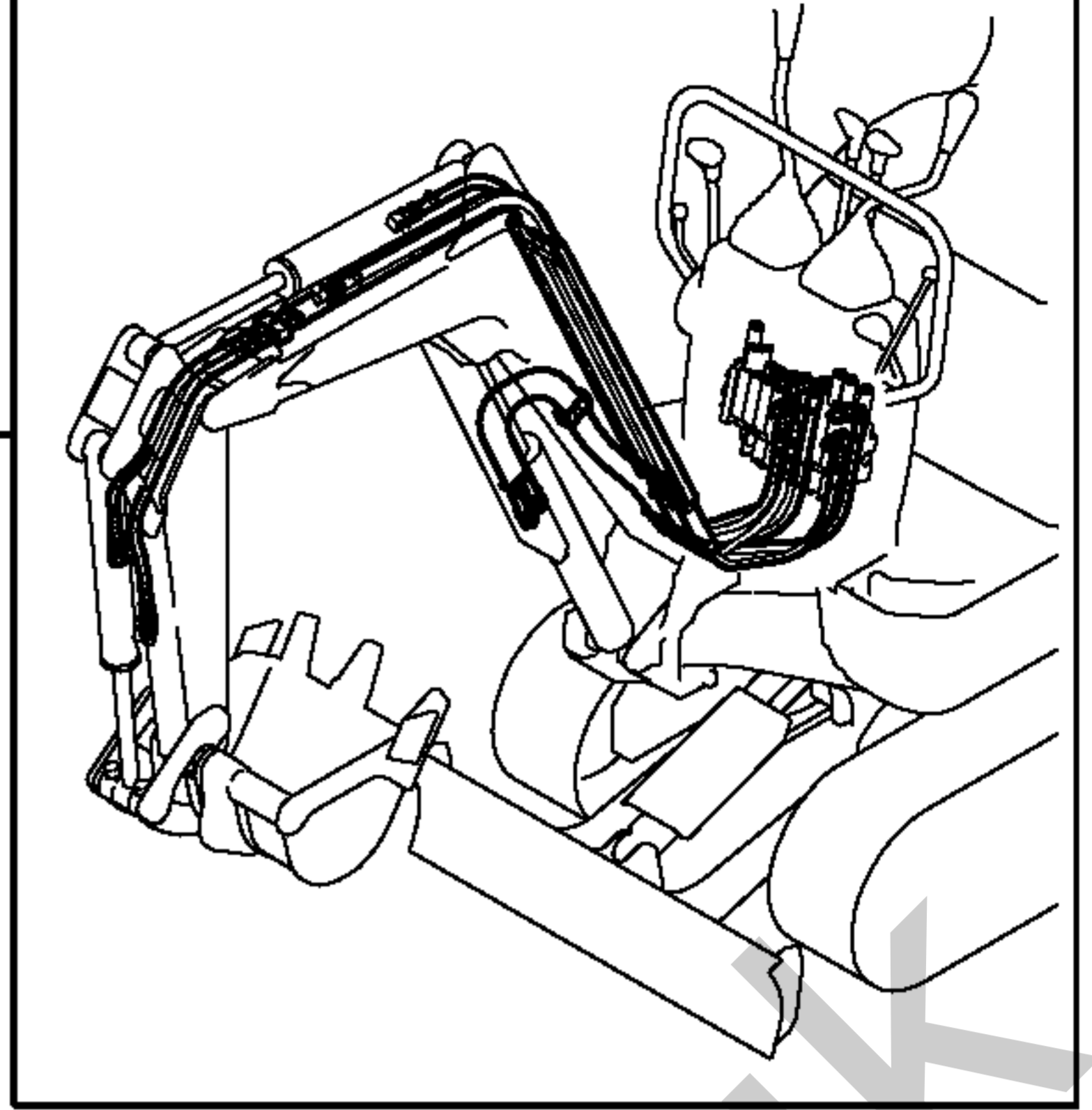
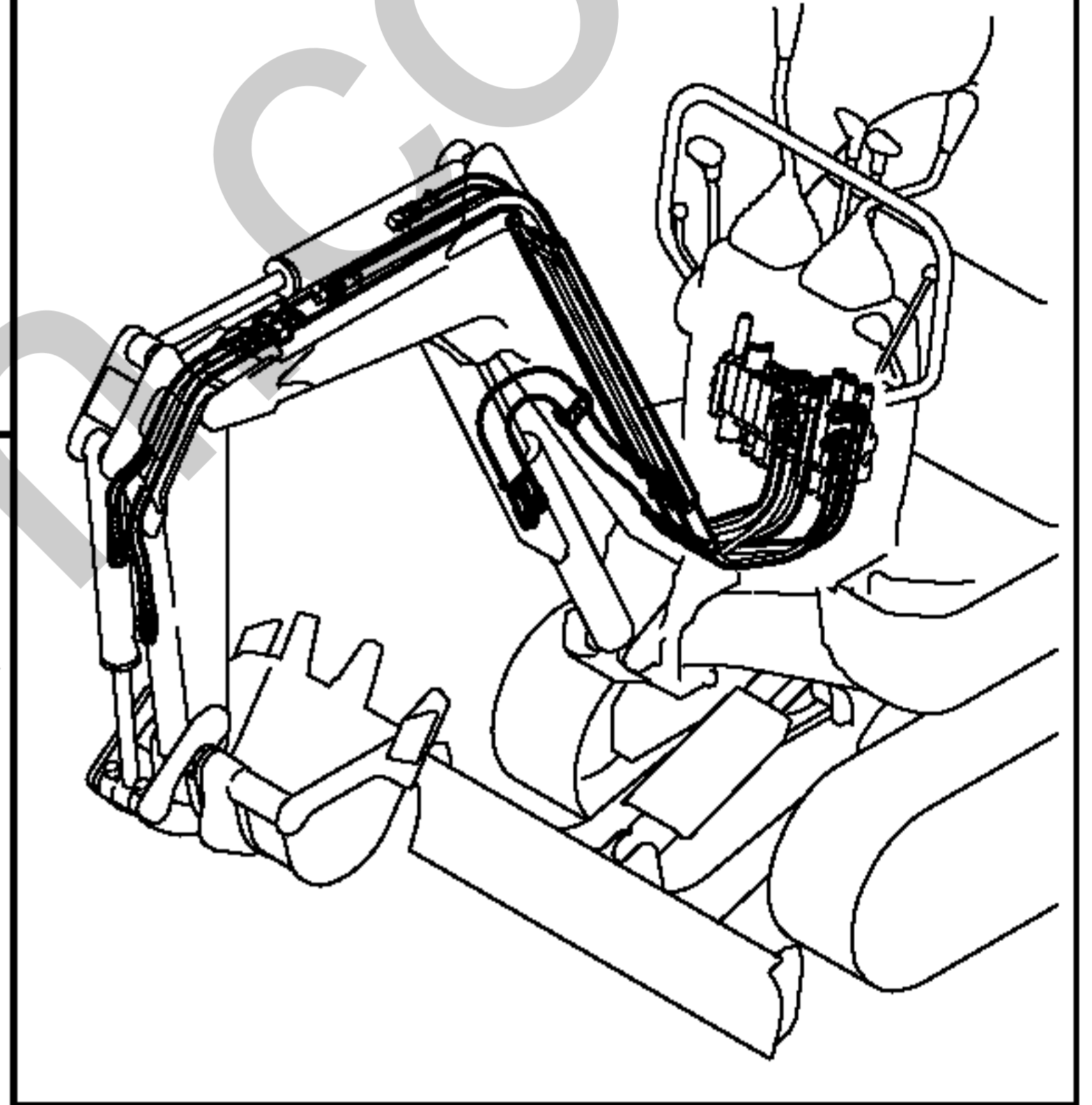


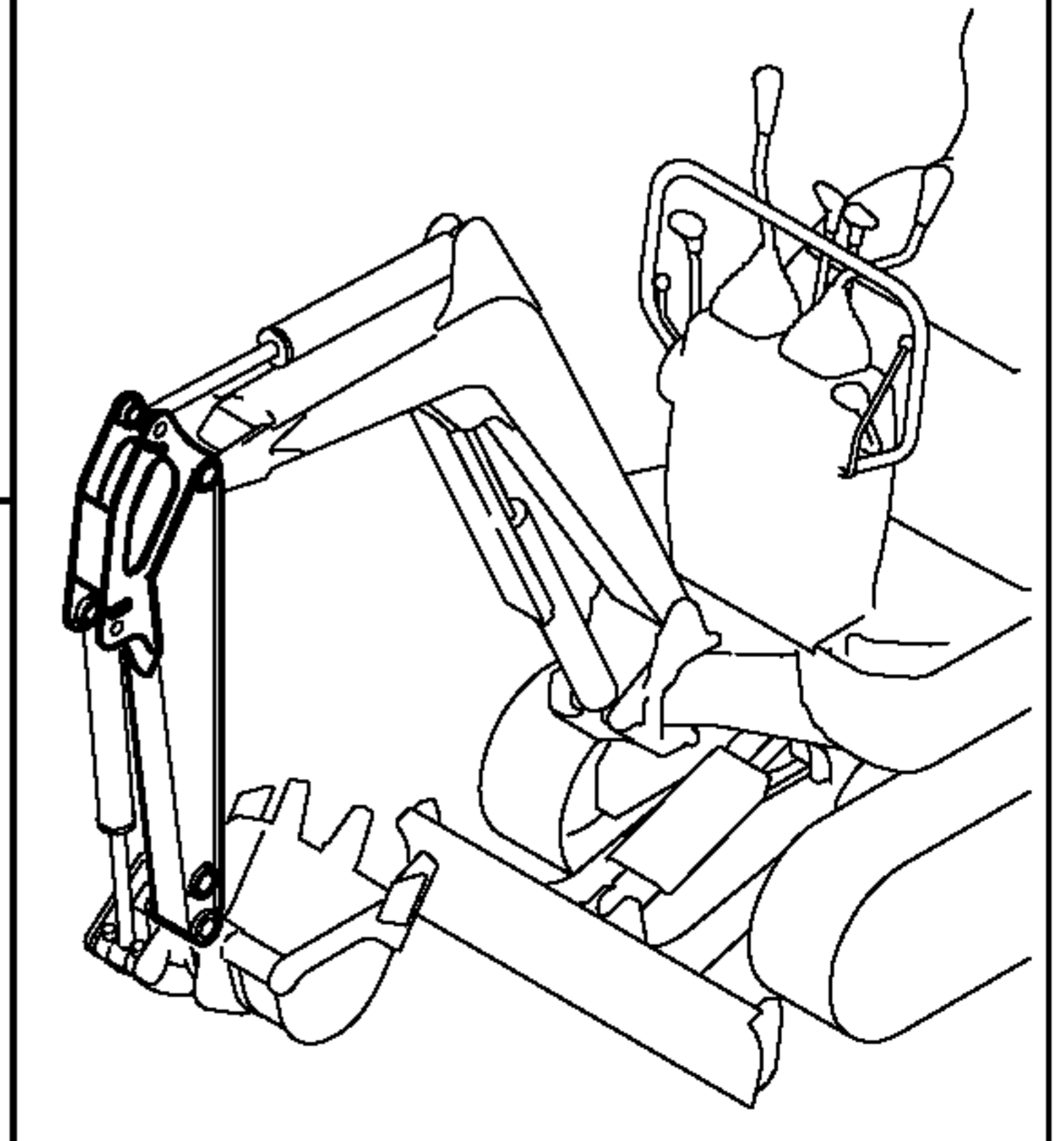
Fig. 61 油圧配管(ブーム) (可変脚)
HYD. OIL PIPING (BOOM)
(VARIABLE LED)



1

ロングアームキット
LONG ARM KIT
(172446-08600)

Fig. 66 ロングアーム
LONG ARM



[Info]
PcNo=Y00K3741
PcName=SV08 (JP, EX) (B6371)
JpnUse=1
JpnSec1=㊦<@
JpnSec2=f0fbfNfz [
JpnSec3=SV
JpnPreface=1
EngUse=1
EngSec1=CONSTRUCTION
EngSec2=EXCAVATOR (SV)
EngSec3=SV
EngPreface=1

Silverhorn.CO.UK